

Datasheet - IFL 10-180L-10/01P



Inductive proximity switch / Housing construction form: cylinder, thread / IFL - M18

Preferred typ



- Design M 18 x 1
- 1 Cable entry M 16 x 1.5
- Thermoplastic enclosure
- DC 3-wire
- Wiring compartment
- Long design
- Double-insulated

(Minor differences between the printed image and the original product may exist!)

Ordering details

Product type description	IFL 10-180L-10/01P
Article number	101126736
EAN code	4030661117805
eCl@ss	27-27-01-01

Approval

Approval



CCC

Global Properties

Product name	IFL - M18
Standards	IEC/EN 60947-5-2; DIN VDE 0660-208
Compliance with the Directives (Y/N)	Yes
Operating resource protection class	Protection class 2
Materials	
- Material of the housings	Plastic
- Material of the nuts	Plastic
- Material of the washer	perbunan
- Material of the active surface	Plastic
Housing coating	None
Housing construction form	cylinder, thread
Weight	45 g

Mechanical data

Design of electrical connection	Screw connection
Conductor with strain relief	No
Cable section	
- Min. Cable section	
- Max. Cable section	1 x 1.5 mm ²
mechanical installation conditions	not flush
Switch distance	10 mm
Reduction factor 1 met (Y/N)	No
Protection circuit	inductive interference protection, Protection against polarity reversal
Pressure resistant (Y/N)	No
Tightening torque for nuts	A/F 24 max. 300 Ncm

Ambient conditions

Ambient temperature	
- Min. environmental temperature	-25 °C
- Max. environmental temperature	+70 °C
Protection class	IP67 to IEC/EN 60529

Electrical data

Design of control element	Normally open contact (NO) or Opener (NC)
Number of wire	3 piece
Voltage type	DC, direct current
Supply voltage U ^B	
- Min. supply voltage	10 V
- Max. supply voltage	60 V
Switch frequency	approx. 350 Hz
Voltage drop U ^d	approx. 1.5 V (400 mA)
Operating current I ^e	400 mA
No-load current I ^o	approx. 5.5 mA (24 V)

Outputs

Design of control output	PNP
--------------------------	-----

LED switching conditions display

LED switching conditions display (Y/N)	Yes
- yellow LED	

ATEX

Explosion protection categories for gases	None
Explosion protected category for dusts	None

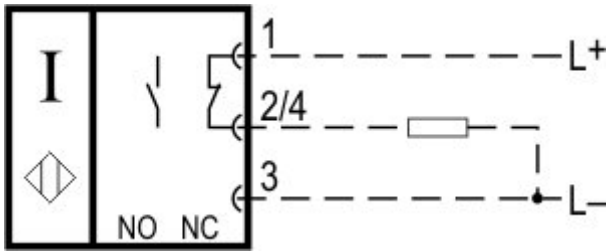
Dimensions

Dimensions of the sensor	
- Length of sensor	125.6 mm
- Diameter of sensor	M18

notice

Instead of nuts, a mounting clamp can be provided.
 Programmable by repositioning the plug-in jumper at the terminal screws

Diagram



Note Diagram

- positive break NC contact
- active
- no active
- Normally-open contact
- Normally-closed contact

Ordering suffix

The applicable ordering suffix is added at the end of the part number of the safety switch.

Order example: IFL 10-180L-10/01P-**1665-1**

...-**1665-1**

short-circuit and overload proof
 Operating current I_e : 300 mA
 Voltage drop U_d : approx. 1 V (300 mA)

Ordering code

IFL (1)-(2)(3)-(4)(5)(6)(7)-(8)

(1)

5 Switch distance 5 mm
 8 Switch distance 8 mm
 10 Switch distance 10 mm

(2)

18 cylinder, thread M18, Metal film
 180 cylinder, thread M18, Plastic

(3)

without Included in standard version Design
 M miniature body
 L Long design

(4)

01 Opener (NC)
 10 Normally open contact (NO)
 10/01 Normally open contact (NO) / Opener (NC) with Wiring compartment
 11 Normally open contact (NO) / Opener (NC) antivalent

(5)

without Cable
 ST Connector
 T Conductor with strain relief
 A Alternating current/direct current AC/DC
 D DC 2-wire

(6)

without Included in standard version Plug-in connection

2 Alternative Plug-in connection

(7)

N n-type

P p-type

(8)

2033 Stainless steel enclosure

2130 Max. +130°C, without LED switching conditions display

Documents

Operating instructions (en) 128 kB, 31.08.2016

Code: mrl_ifl-allgemein_en

Operating instructions (pl) 137 kB, 21.10.2016

Code: mrl_ifl-allgemein_pl

Operating instructions (it) 108 kB, 21.10.2016

Code: mrl_ifl-allgemein_it

Operating instructions (es) 110 kB, 21.10.2016

Code: mrl_ifl-allgemein_es

Operating instructions (de) 131 kB, 31.08.2016

Code: mrl_ifl-allgemein_de

Operating instructions (fr) 110 kB, 21.10.2016

Code: mrl_ifl-allgemein_fr

Declaration of conformity (en, de) 232 kB, 05.11.2013

Code: __iflp01

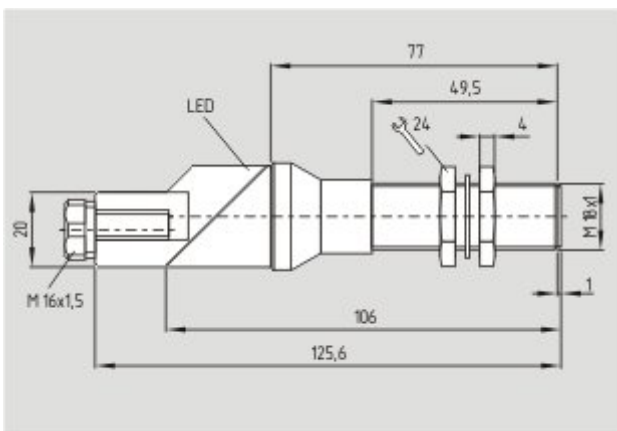
CCC certification (cn) 557 kB, 02.08.2016

Code: q_iflp03

CCC certification (en) 561 kB, 02.08.2016

Code: q_iflp02

Images



Dimensional drawing (basic component)



Operating principle

System components

Mounting accessories



101068879 - MOUNTING CLAMP H 18

- For a smooth fitting of the proximity switches with cylindric shape Ø 18 mm or thread M18

K.A. Schmersal GmbH & Co. KG, Möddinghofe 30, D-42279 Wuppertal

The data and values have been checked thoroughly. Technical modifications and errors excepted.

Generiert am 25.10.2016 - 04:36:19h Kasbase 3.2.5.F.64l