

Square Light KH-5020, 5030, 5040

Specification



		KH-5020L	KH-5030L	KH-5040L
Panel unit size		20X20	30X30	30X40
Light Source		LED		
Current consumption		Max. 20mA		
Rated Voltage	Full Voltage	12V DC		
		24V DC		
Converter type		-	110 V AC	
		-	220 V AC	
Color		R,G,Y,O	R,G,Y,O,B,W	
Insulation resistance		100MΩ(DC500V)		
Dielectric Strength		AC 1,500v(50/60Hz)		
Ambient Temp.		-10~+55℃		
Material		Enclosure: PC, Color plate: Acryl, reflector: Noryl		
Terminal		M2.5X7	M3.5X7	
Max. Com- bination	Column	13	20	20
	Row	13	20	20

KH- 5030L - 24PCK

CLASS	KH-5020L : 20x20 mm ²	
	KH-5030L : 30x30mm ²	
	KH-5040L: 30x40mm ²	
RATED VOLT- AGE	12	12VDC
	24	24VDC
	12PCK	12VDC with positive check input
	24PCK	24VDC with positive check input
	DC110PCK	110VDC with positive check input
	12NCK	12VDC with negative check input
	24NCK	24VDC with negative check input
	12T	110VAC with AC/DC converter
	22T	220VAC with AC/DC converter

Koino[®]

www.koino.com

Copyright © 2009 KunHung Electric Co., Ltd. All rights reserved.

Square Light KH-5020, 5030, 5040

Single/Multiple Windows Description

(mm)

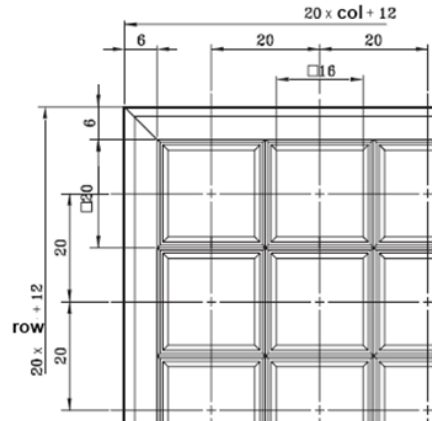
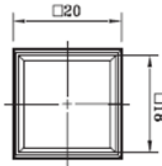
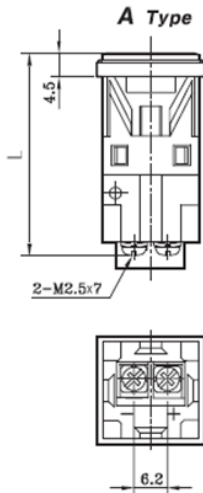
Type	Model	R	S	L1	L2	T(Attachment)
A	KH-5020L-12, 24	20	20	L:40		-
B	KH-5030L-12, 24	30	30	56	63	-
	KH-5040L-12, 24	40	30			
C	KH-5030L-12PCK, 24PCK	30	30	107	111	KC-PCK
	KH-5040L-12PCK, 24PCK	40	30			KC-NCK
	KH-5030L-12NCK, 24NCK	30	30			
	KH-5040L-12NCK, 24NCK	40	30			
D	KH-5030L-12T, 22T	30	30	105	111	KC-12T, 22T
	KH-5040L-12T, 22T	40	30			

KH-5020L SQUARE LIGHT

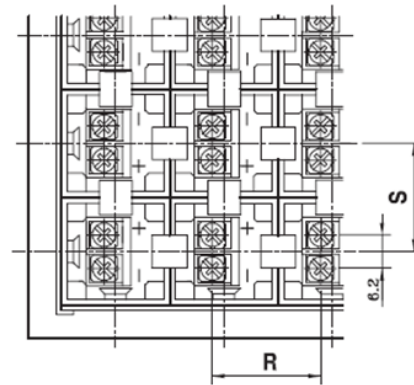
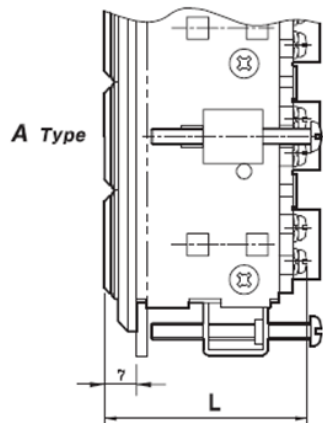
LED display type

Single window

Multiple windows



Input terminal layout

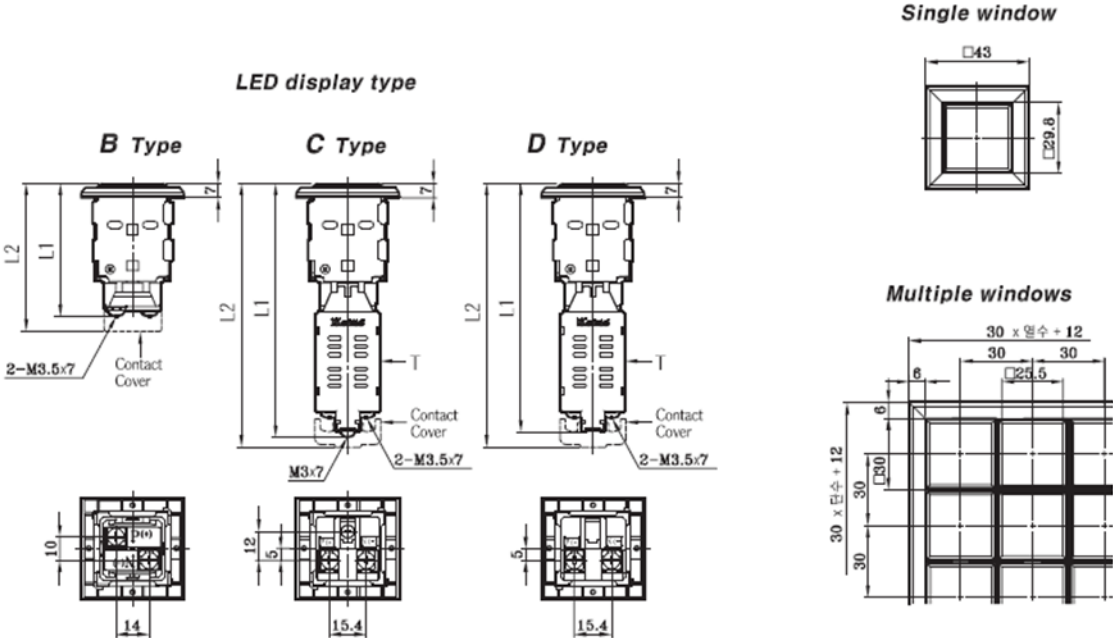


(Unit : mm)

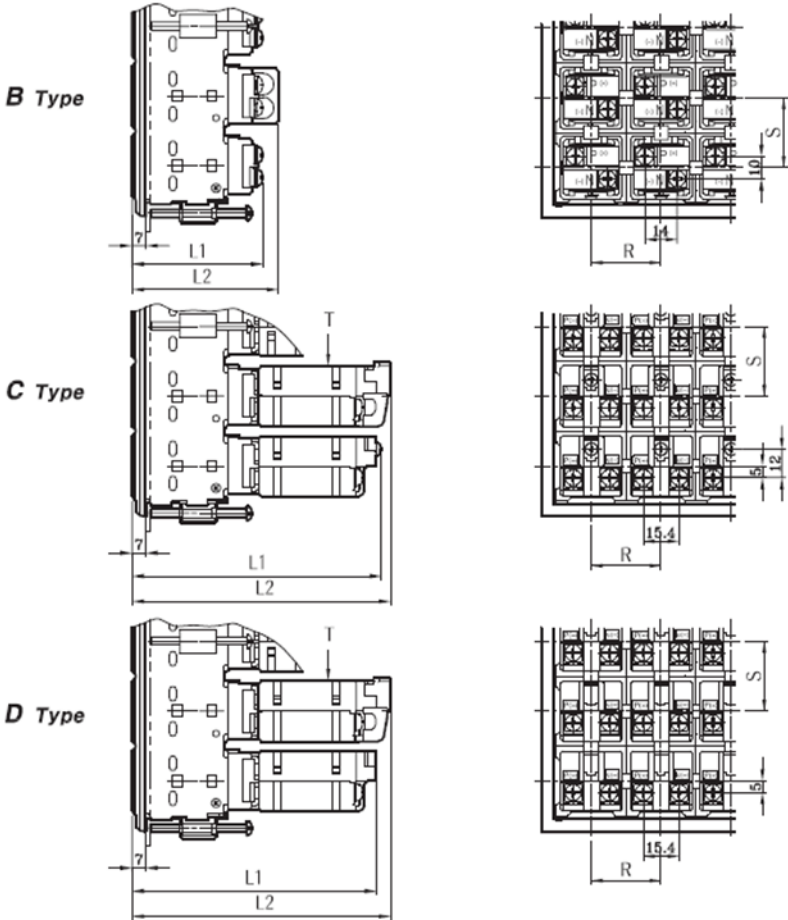
Square Light KH-5020, 5030, 5040

Dimensions

KH-5030L SQUARE LIGHT



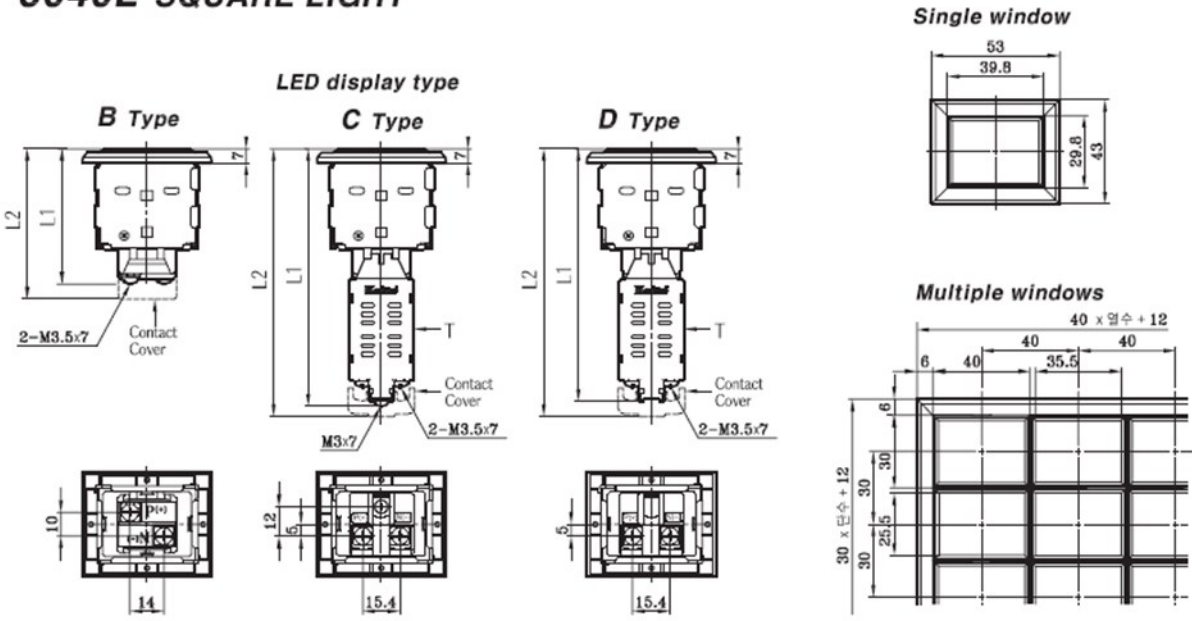
Input terminal layout



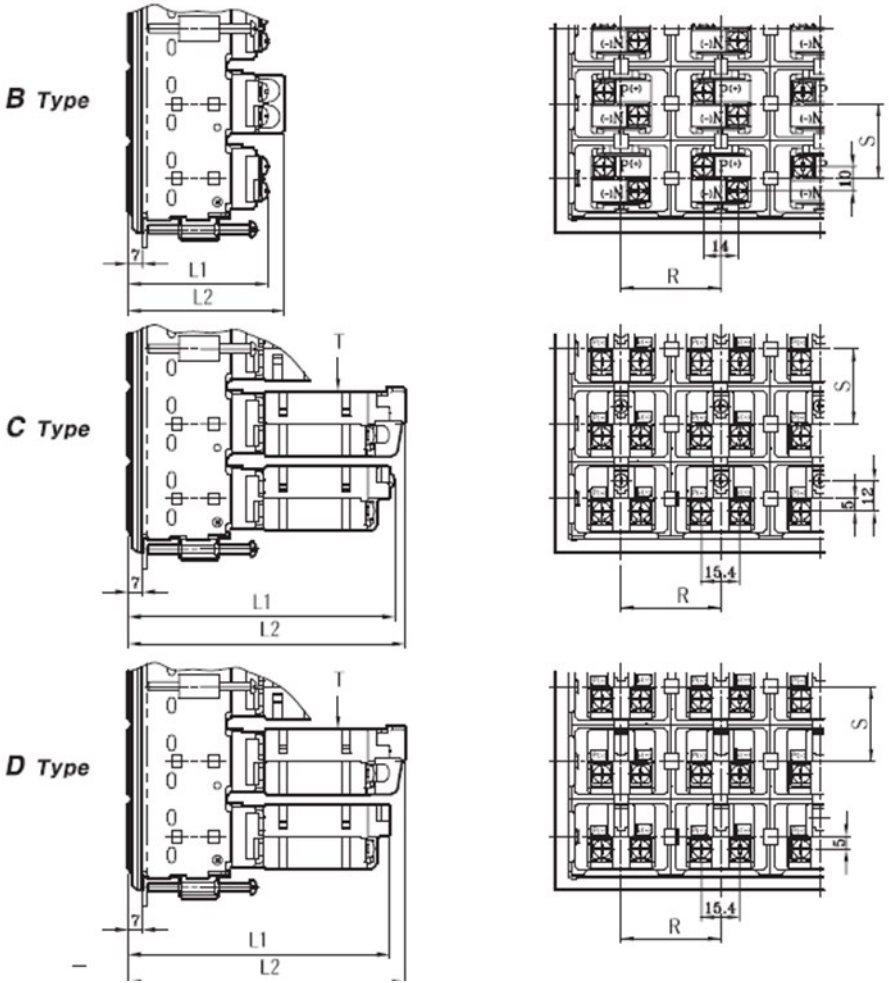
Square Light KH-5020, 5030, 5040

Dimensions

KH-5040L SQUARE LIGHT


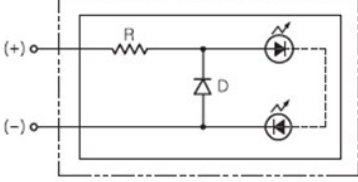

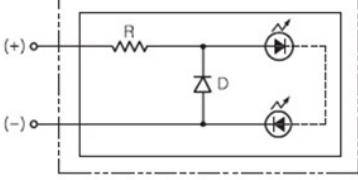

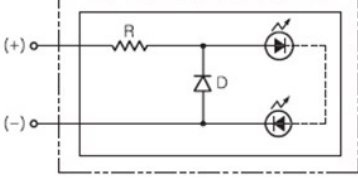

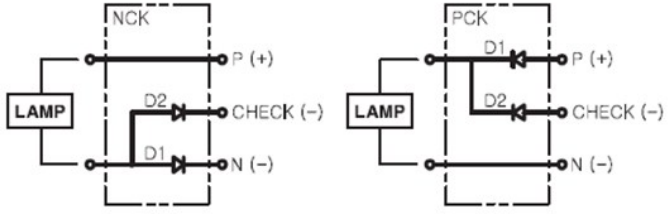





Input terminal layout



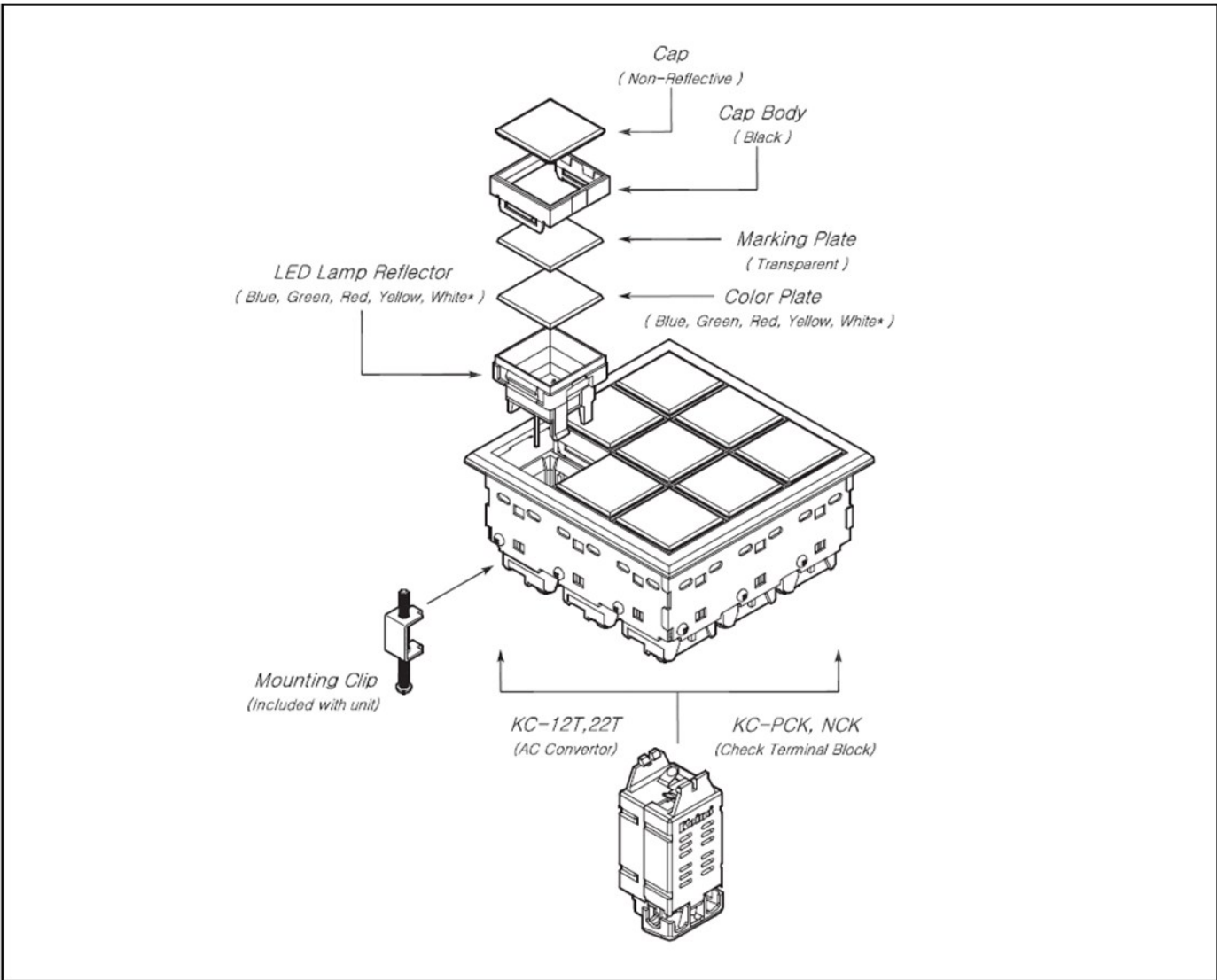
Square Light KH-5020, 5030, 5040

Accessories

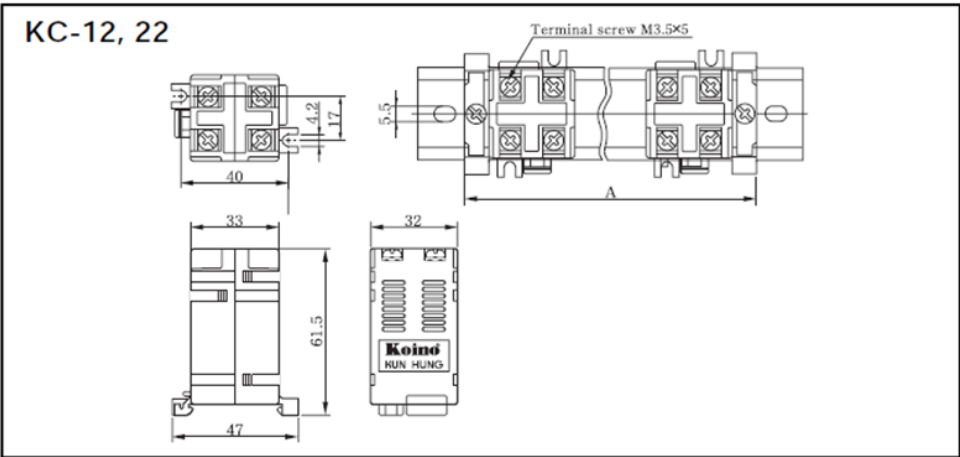
<p>LED unit for KH-5020L</p> 	
<p>LED unit for KH-5030L</p> 	
<p>LED unit for KH-5040L</p> 	
<p>AC/DC Converter</p> 	
<p>Check terminal unit</p>  <p style="text-align: center;"> for KH-5020L for KH-5030L for KH-5040L for check termianl </p>	
<p>Lamp remover</p> 	<p>Brackets</p>  <p style="text-align: center;"> for KH-5030L for KH-5032L </p>

Square Light KH-5020, 5030, 5040

Installation



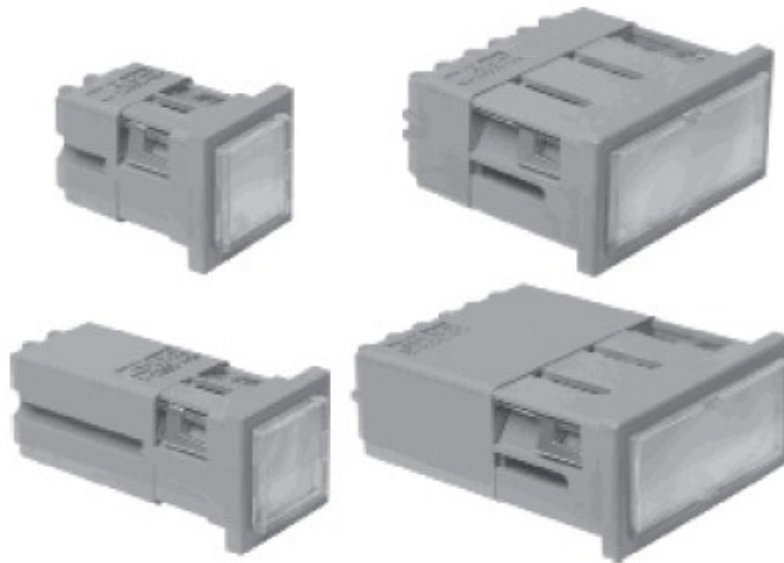
LED Power Supplier



www.koino.com

Copyright © 2009 KunHung Electric Co., Ltd. All rights reserved.

Square Light KH-500TL, 5001, 5002



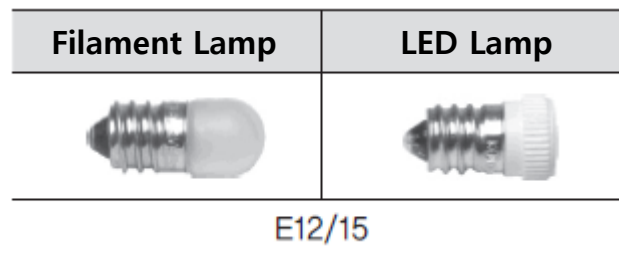
Quick Selection Guide

Input Voltage	Size	No. of bulbs	Lamp	Model
DC 12V/24V/ 110V	34X34	1	Filament Lamp	KH-500TL-1
			LED Lamp	KH-500TL-1L
	34X74	2	Filament Lamp	KH-500TL-2
			LED Lamp	KH-500TL-2L
		3	Filament Lamp	KH-500TL-3
			LED Lamp	KH-500TL-3L
AC 110V	34X34	1	Filament Lamp	KH-5001-1
			LED Lamp	KH-5001-1L
	34X74	2	Filament Lamp	KH-5001-2
			LED Lamp	KH-5001-2L
		3	Filament Lamp	KH-5001-3
			LED Lamp	KH-5001-3L
AC 220V	34X34	1	Filament Lamp	KH-5002-1
			LED Lamp	KH-5002-1L
	34X74	2	Filament Lamp	KH-5002-2
			LED Lamp	KH-5002-2L
		3	Filament Lamp	KH-5002-3
			LED Lamp	KH-5002-3L

Square Light KH-500TL, 5001, 5002

Specification

	KH-500TL-1,1L KH-500TL-2,2L KH-500TL-3,3L	KH-5001-1,1L KH-5001-2,2L KH-5001-3,3L	KH-5002-1,1L KH-5002-2,2L KH-5002-3,3L
Input Voltage	DC 12V/24V/110V	110VAC	220VAC
Filament Lamp	12/24VDC: 2W	18V 2W	18V 2W
LED Lamp	12/24VDC: 20mA Max.	18V : 20mA Max.	18V : 20mA Max.
Insulation Resistance	100MΩ min.(DC500V)		
Dielectric Strength	1,500 VAC(50/60Hz) for 1 minute		
Vibration Resistance	10~55 Hz double amplitude 0.5mm at X, Y Z directions		
Shock Resistance	10G		
Protection	IP50		
Ambient Temperature	-10~+55°C		
Ambient Humidity	45~85% RH		



Square Light KH-500TL



KH-500TL-1, 1L



KH-500TL-2, 2L

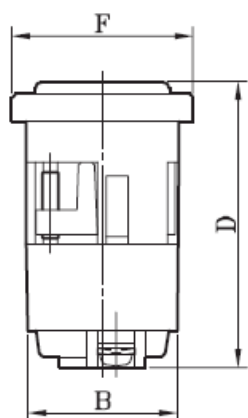


KH-500TL-3, 3L

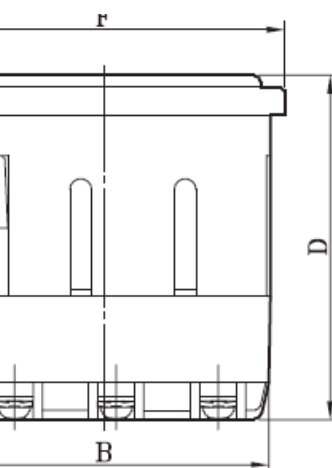
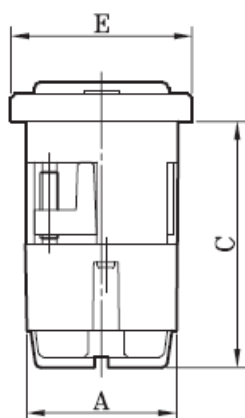
Ratings

	Input Voltage	Filament Lamp		LED Lamp		Color	Material	Weight
		Voltage	Power Consumption	Voltage	Power Consumption			
KH-500TL-1,1L	12V/24V	12V/24V	2.0W Max.	12V/24V	20mA Max.	Red	Body: ABS Lettering Plate: AS	63g
	DC 110V	48V	1.0W Max.	-	-			
KH-500TL-2,2L	12V/24V	12V/24V	2.0W Max.	12V/24V	20mA Max.	Green Yellow	Plate: AS Color Plate:	122g
	DC 110V	48V	1.0W Max.	-	-			
KH-500TL-3,3L	12V/24V	12V/24V	2.0W Max.	12V/24V	20mA Max.	White	Acryl Lamp Cap: AS	134g
	DC 110V	48V	1.0W Max.	-	-			

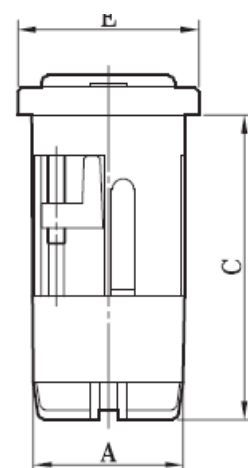
Dimensions



KH-500TL-1, 1L



KH-500TL-2, 2L, KH-500TL-3, 3L



	A	B	C	D	E	F
KH-500TL-1,1L	34	34	54	63	40	40
KH-500TL-2,2L	34	74	66.5	76	40	80
KH-500TL-3,3L	34	74	66.5	67	40	80

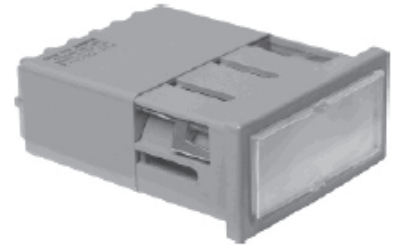
Square Light KH-5001, 5002



KH-5001-1, 1L
KH-5002-1, 1L



KH-5001-2, 2L
KH-5002-2, 2L

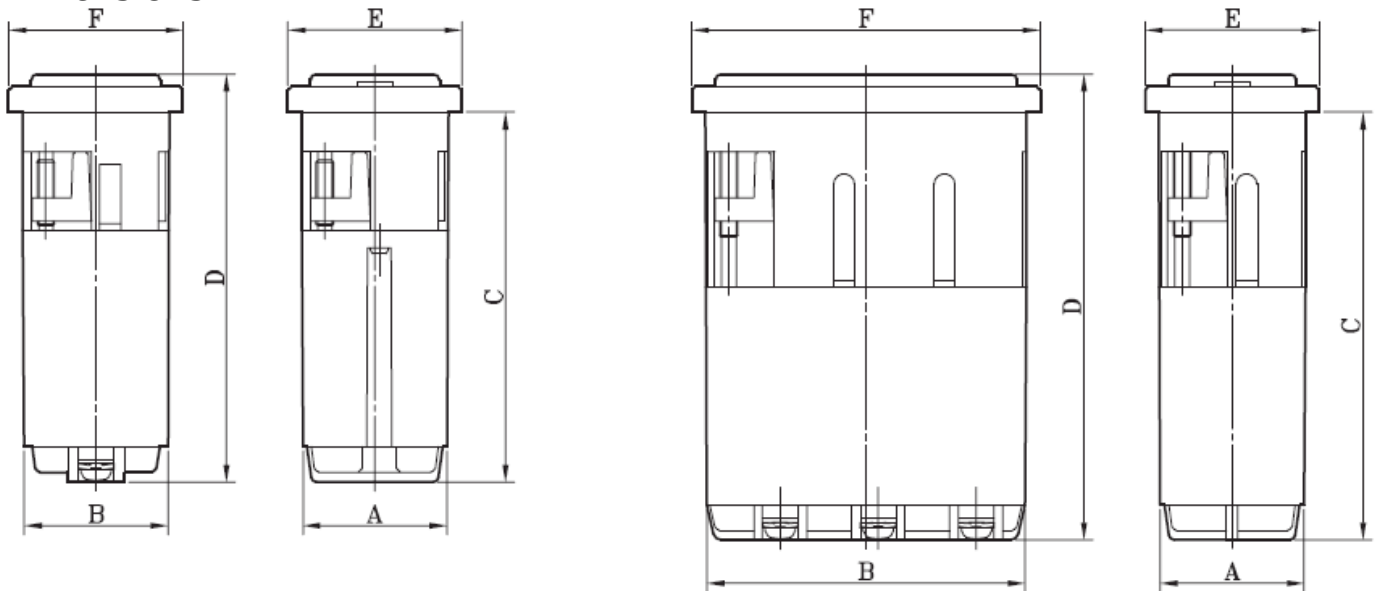


KH-5001-3, 3L
KH-5002-3, 3L

Ratings

	Input Voltage	Filament Lamp		LED Lamp		Color	Material	Weight
		Voltage	Power Consumption	Voltage	Power Consumption			
KH-5001-1,1L	110VAC	18V	2.0W Max.	18V	20mA Max.	Red Green Yellow White	Body: ABS	147g
KH-5001-2,2L	110VAC	18V	2.0W Max.	18V	20mA Max.		Lettering	297g
KH-5001-3,3L	110VAC	18V	2.0W Max.	18V	20mA Max.		Plate: AS	389g
KH-5002-1,1L	220VAC	18V	2.0W Max.	18V	20mA Max.		Color Plate:	147g
KH-5002-2,2L	220VAC	18V	2.0W Max.	18V	20mA Max.		Acryl	297g
KH-5002-3,3L	220VAC	18V	2.0W Max.	18V	20mA Max.		Lamp Cap: AS	389g

Dimensions



KH-5001-1, 1L, KH-5002-1, 1L

KH-5001-2, 2L, KH-5002-2, 2L
KH-5001-3, 3L, KH-5002-3, 3L

	A	B	C	D	E	F
KH-5001-1,1L, KH-5002-1,1L	34	34	85	94	40	40
KH-5001-2,2L, KH-5002-2,2L	34	74	98	107	40	80
KH-5001-3,3L, KH-5002-3,3L	34	74	98	107	40	80

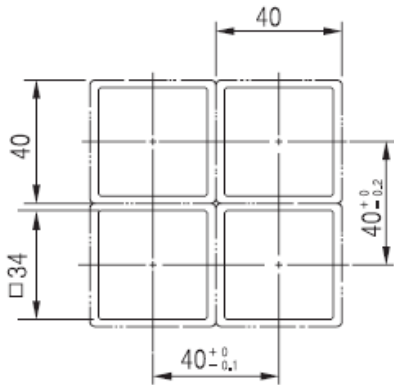
Koino[®]

www.koino.com

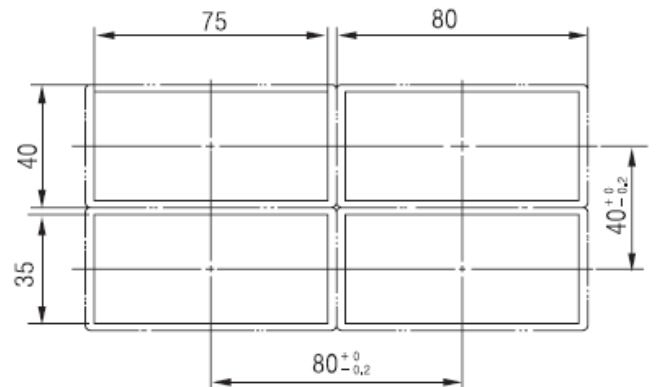
Copyright © 2009 KunHung Electric Co., Ltd. All rights reserved.

Square Light KH-500T1, 5001, 5002

Panel Cut

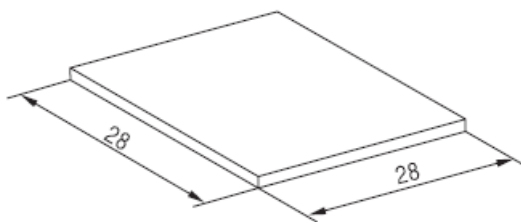


KH-500TL-1, 1L, KH-5001, 2-1, 1L

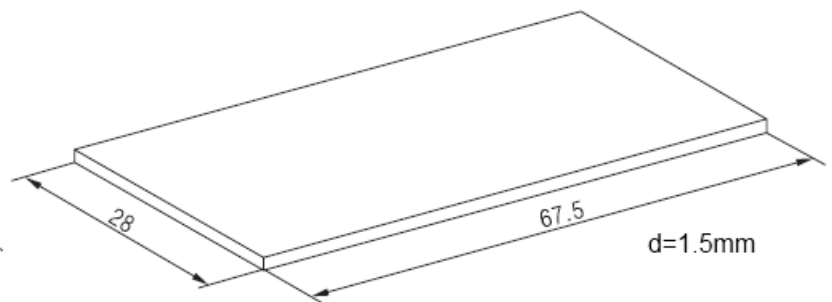


KH-500TL-2, 2L, KH-5001, 2-2L, 3, 3L

Lettering Plate Dimension

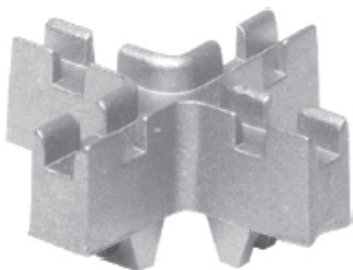


KH-500TL-1, 1L, KH-5001, 2-1, 1L



KH-500TL-2, 2L, KH-5001, 2-2L, 3, 3L

Linker for Fixing



Lamp Removing Tool



Koino[®]

www.koino.com

Copyright © 2009 KunHung Electric Co., Ltd. All rights reserved.