

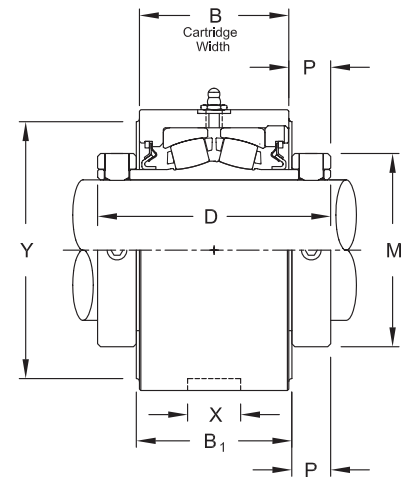
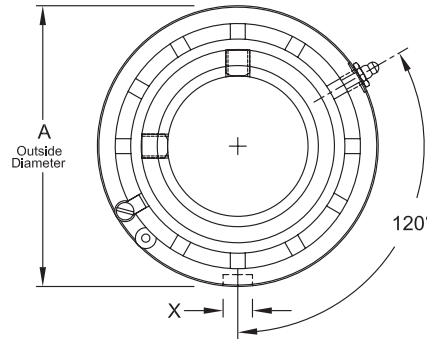
ZMC5000



Photo Shows a Spherical Roller Bearing Cartridge Unit with Cast Iron Housing

Product Features

- Corrosion-resistant powder coating
- Cast iron housing
- Misalignment capabilities - total of 4°
- Broad range of sealing options
- Factory set clearance & lubrication
- Precision ground & superfinished raceways
- Two hardened spring locking collars
- Field interchangeable seals
- See Features & Benefits for additional info.



Bearing Dimensions

Size Code	Shaft Diameter	Part Number	A Outside Diameter	B Cartridge Length	B1	D	X Depth	X Length	X Width	Approx. Weight
4	1 7/16	ZMC5107	3.4370	2 3/16	-	3 9/16	3/16	29/32	0.530	4.30
	35.00	ZMC5035MM	3.4370	2 3/16	-	90.49	4.76	23.02	13.460	2.00
5	1 1/2	ZMC5108	3.9370	2 7/16	-	3 13/16	3/16	29/32	0.530	6.50
	1 11/16	ZMC5111								5.90
	40.00	ZMC5040MM	100.0000	61.910	-	96.84	4.76	23.02	13.460	2.90
	45.00	ZMC5045MM	100.0000	61.910	-	96.84	4.76	23.02	13.460	2.70
6	1 15/16	ZMC5115	4.1250	2 7/16	-	3 13/16	3/16	29/32	0.530	6.50
	50.00	ZMC5050MM	104.7800	61.910	-	96.84	4.76	23.02	13.460	2.90
7	2	ZMC5200	4.5310	2 9/16	-	4 1/8	3/16	29/32	0.530	9.50
	2 3/16	ZMC5203								8.80
	55.00	ZMC5055MM	115.0880	65.090	-	104.78	4.76	23.02	13.460	4.00
8	2 7/16	ZMC5207	5.0000	2 5/8	-	4 3/8	3/16	29/32	0.530	10.60
	60.00	ZMC5060MM	127.0000	66.680	-	111.13	4.76	23.02	13.460	5.00
	65.00	ZMC5065MM								4.80
9	2 1/2	ZMC5208	5.8750	3 1/8	-	4 7/8	1/4	1 1/32	0.590	18.70
	2 11/16	ZMC5211								17.70
	2 15/16	ZMC5215	149.2250	79.380	-	123.83	6.35	26.19	14.990	15.70
	70.00	ZMC5070MM								8.00
	75.00	ZMC5075MM								7.60
10	3 3/16	ZMC5303	6.7500	3 7/16	-	5 5/16	9/32	1 1/16	0.590	24.70
	3 7/16	ZMC5307								22.80
	80.00	ZMC5080MM	171.4500	87.310	-	134.94	6.35	26.19	14.990	11.20
	85.00	ZMC5085MM								10.80
	90.00	ZMC5090MM								10.40
11	3 11/16	ZMC5311	8.1250	4 1/8	-	6 1/8	5/16	1 9/32	3/4	44.00
	3 15/16	ZMC5315								41.50
	4	ZMC5400	206.3750	104.780	-	155.58	7.94	32.54	19.050	41.00
	100.00	ZMC5100MM								20.00
12	4 3/16	ZMC5403Y	8.7500	4 1/4	-	6 1/4	5/16	1 1/2	3/4	50.00
	4 7/16	ZMC5407Y								47.00
	4 1/2	ZMC5408Y	222.2500	107.950	-	158.75	7.94	32.54	19.050	46.00
	110.00	ZMC5110MM								22.70
	115.00	ZMC5115MM								22.00
13	4 15/16	ZMC5415	10.4370	5 9/16	6	7 7/8	5/16	1 1/2	3/4	95.00

Continued...

Continued...

Bearing Dimensions

Size Code	Shaft Diameter	Part Number	A Outside Diameter	B Cartridge Length	B1	D	X Depth	X Length	X Width	Approx. Weight
13	5	ZMC5500	10.4370	5 ⁹ / ₁₆	6	7 ⁷ / ₈	⁵ / ₁₆	1 ¹ / ₂	³ / ₄	92.00
	125.00	ZMC5125MM	265.1000	141.290	152.40	200.03	7.94	32.54	19.050	43.00
	130.00	ZMC5130MM								42.00
14	5 ⁷ / ₁₆	ZMC5507	11.5000	5 ⁹ / ₁₆	5 ⁷ / ₈	8	⁷ / ₃₂	1 ¹ / ₂	³ / ₄	114.00
	140.00	ZMC5140MM	292.1000	141.290	149.23	203.20	7.94	32.54	19.050	51.00
15	5 ¹⁵ / ₁₆	ZMC5515	12.2500	5 ⁷ / ₈	6 ¹ / ₈	8 ¹ / ₈	⁷ / ₃₂	1 ¹ / ₂	³ / ₄	134.00
	6	ZMC5600								133.00
	150.00	ZMC5150MM	311.1500	149.230	155.58	206.38	7.94	32.54	19.050	61.00
	160.00	ZMC5160MM								59.00
16	6 ⁷ / ₁₆	ZMC5607	13.5630	6 ³ / ₁₆	6 ¹ / ₂	8 ³ / ₄	⁷ / ₃₂	1 ¹ / ₂	³ / ₄	180.00
	6 ¹⁵ / ₁₆	ZMC5615								167.00
	7	ZMC5700	166.00							
	180.00	ZMC5180MM	344.5000	157.160	165.10	222.25	7.94	32.54	19.050	75.00

Additional Notes

Please call 1-866-REXNORD for availability
Metric bore sizes available, see Rex Interchangeability guide
Lubrication fitting tap size: for size code 4 thru 11, 1/8" PT; for all other size codes, 1/4" PT
Bore size = nominal shaft size +.001 in/-.000 in (+0.03 mm/-0.00 mm)
O.D. tolerance, for size code 4 thru 11 +.000 in/-.002 in (+0.00 mm/-0.05 mm); for all other size codes, +.000 in/-.003 in (+0.00 mm/-0.08 mm)
Bore Tolerance for mounting, +.002 in/-.000 in (+0.05 mm/-0.00 mm)

Seals - to specify G, K or M seal, replace "Z" in part number with "G", "K" or "M"
"G" seals only available in size codes 4 thru 13
"K" seals only available in size codes 4 thru 11
Auxiliary end caps - not available
For the Selection Guide, Load Ratings and Speed Limits, see the Rex Spherical Roller Bearings Engineering section
Note: Dimensions subject to change. Certified dimensions of ordered material furnished on request.