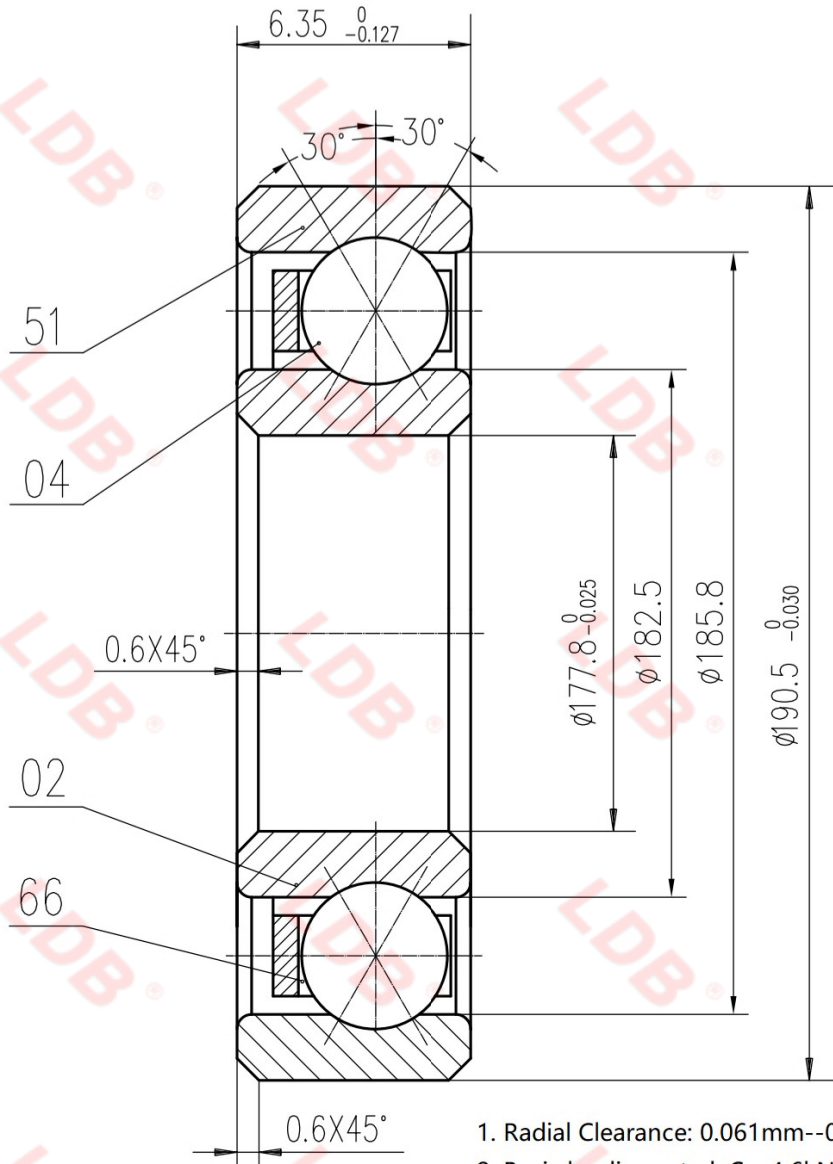


KA070XP0



1. Radial Clearance: 0.061mm--0.086mm
2. Basic loading rated: Cr=4.6kN Cor=9.8kN;
Ca=7.7kN Coa=24.4kN
3. Shiny chamfer, unquoted acute angle max R0.5

66	Cage		ZCuZn40Pb2 Or equivalent brass				
04	Steel ball 1/8(3.175)	87	GCr15				
02	Inner ring		GCr15				
51	Outer ring		GCr15				
P/N	Name	Q'ty	Material	unit	total	Re-mark	
				weight (kg)			
				KA070XP0			
Mark	No.	Rev.	Sign	Date	drawing mark	weight	scale
Design		Dong J.M.		06.01.2020		0.141(kg)	—
Check		Wang Hao		06.01.2020			
Approve		Ren G.W.		06.01.2020			
Thin Wall Four Point Contact Ball Bearing					Total 1 page		Page 1
					LDB®		