



class 125 bronze check

Horizontal Swing • Regrinding Type • Y-Pattern • Renewable Discs

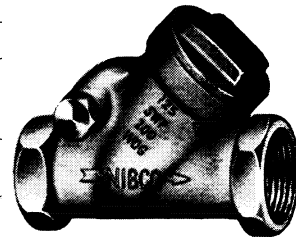
125 PSI Steam to 406°F or 207°C
200 PSI Non-Shock Cold Water, Oil, or Gas

Conforms to Federal Specification: WW-V-51 Class A, Type IV & MSS SP-80

MATERIAL LIST

| PART | SPECIFICATION |
|-------------------------------|--|
| 1. Bonnet | Bronze ASTM B-62 |
| 2. Body | Bronze ASTM B-62 |
| 3. Hinge Pin | Bronze ASTM B-140 Alloy C31400 or B-134 Alloy C23000 |
| 4. Disc Hanger | Bronze ASTM B-62 |
| 5. Hanger Nut | Bronze ASTM B-97 Alloy C65500 |
| 6. Disc Holder | Bronze ASTM B-62 |
| 7. Seat Disc | Water, Oil or Gas (Buna-N) (W) Steam (TFE) (Y) Bronze ASTM B-62 (B) Screw Driver Slot for Regrind |
| 8. Seat Disc Nut | Bronze ASTM B-16 or B-62, or B-97 Alloy C65500 |
| 9. Hinge Pin Plug (Not Shown) | Bronze ASTM B-140 Alloy C32000 |
| *10. Seat Disc Washer | ASTM B-124 Alloy C65500 |

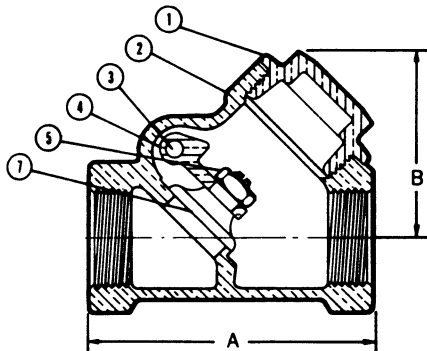
*Sizes ¼", 1", 1½", and 1½" only.



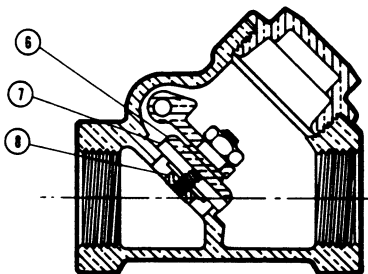
T-413
threaded



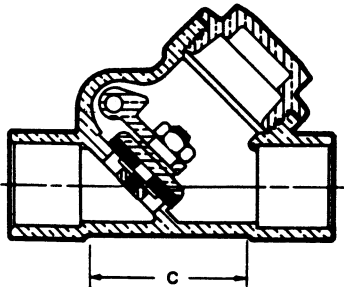
S-413
solder



T-413-B FS.P.S. to FS.P.S.



T-413-Y FS.P.S. to FS.P.S.



S-413-W Copper to Copper

DIMENSIONS — WEIGHTS — QUANTITIES

| Nominal Size | Dimensions | | | Approx. Net Wt. | | Master Carton Quantity |
|-------------------------------|---------------------------------|---------------------------------|--------------------------------|-----------------|-------|------------------------|
| | A | B | C | T-413 | S-413 | |
| ¼ | 2 ¹ / ₈ | 1 ⁵ / ₈ | 1 ¹ / ₄ | .5 | .5 | 50 |
| ⅜ | 2 ¹ / ₈ | 1 ⁵ / ₈ | 1 ⁵ / ₁₆ | .5 | .5 | 50 |
| ½ | 2 ⁷ / ₁₆ | 1 ¹¹ / ₁₆ | 1 ¹ / ₂ | .6 | .5 | 50 |
| ¾ | 2 ¹⁵ / ₁₆ | 1 ⁷ / ₈ | 1 ⁷ / ₈ | 1.0 | .8 | 50 |
| 1 | 3 ⁹ / ₁₆ | 2 ⁵ / ₁₆ | 2 ¹ / ₄ | 1.5 | 1.2 | 30 |
| 1 ¹ / ₄ | 4 ³ / ₁₆ | 2 ¹¹ / ₁₆ | 2 ³ / ₄ | 2.2 | 1.8 | 20 |
| 1 ¹ / ₂ | 4 ¹ / ₂ | 2 ¹⁵ / ₁₆ | 3 ¹ / ₈ | 2.9 | 2.5 | 10 |
| 2 | 5 ¹ / ₄ | 3 ¹³ / ₁₆ | 3 ³ / ₄ | 5.0 | 4.2 | 10 |
| 2 ¹ / ₂ | 8 | 5 ¹ / ₁₆ | 5 ⁵ / ₁₆ | 12.0 | 10.5 | 5 |
| 3 | 9 ¹ / ₄ | 6 ¹ / ₄ | 6 ¹ / ₄ | 18.2 | 15.5 | 4 |

ORDERING: T-413 and S-413 normally furnished with Bronze Disc (T-413-B) or (S-413-B). Both available with TFE Steam Disc (T-413-Y), (S-413-Y), or W.O.G. Disc (T-413-W), (S-413-W).

NIBCO check valves may be installed in both *horizontal* and *vertical* lines with upward flow or in any intermediate position. They will operate satisfactorily in a declining plane (no more than 15°).

WARNING — Do Not Use For Reciprocating Air Compressor Service.