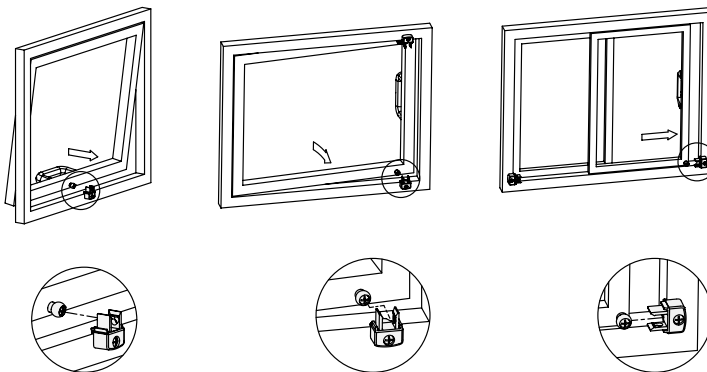


ELESA original design BPS.

**Example of application**



b	d Ball-Ø	S <sub>1</sub>		S <sub>2</sub>		Holding force in N
		min.	max.	min.	max.	
28	14	17,8	19,3	7,9	9,9	30

**Specification**

- Clamp  
Plastic, Polyacetal POM  
- temperature resistant up to 60 °C  
- black, matt
- Ball  
Plastic, Polyamide PA  
- glass fibre reinforced  
- temperature resistant up to 60 °C  
- black, matt
- *Plastic characteristics → Page 1271*
- **RoHS compliant**

**Accessory**

- Spacer GN 450.1

**Information**

The ball-shaped door locks GN 450 have been conceived for the use with both shutter doors and sliding doors.

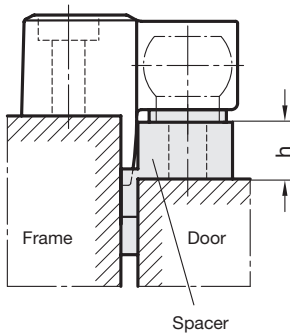
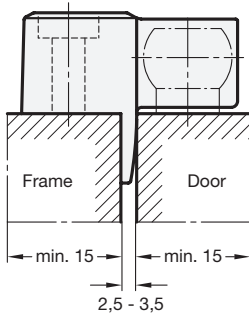
The ball-shaped door lock consists of a clamp to be fixed to a frame and a ball to be fixed to a door.

Under specific tests, the clamp showed constant performances for more than 20.000 cycles.

**How to order**

GN 450-28-14

1	b
2	d

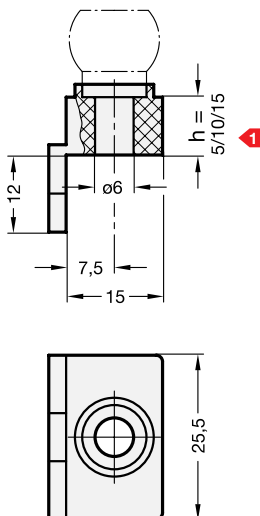


### Assembly instructions

The minimum thickness for the profile suitable for use is 15 mm, while the distance between door and frame must be within 2.5 mm and 3.5 mm.

For applications with differences in height between frame and door, spacer GN 450.1 with height  $h = 5, 10$  and  $15$  mm are available.

## GN 450.1 | Spacer



### Specification

- Plastic (Polyamide PA)  
black, matt

### Information

The combination with spacers can realise the distances  $h = 20, 25$  and  $30$  mm.

How to order

GN 450.1-10

1 h

2.1  
2.2  
2.3  
2.4  
2.5  
2.6  
2.7  
2.8  
2.9