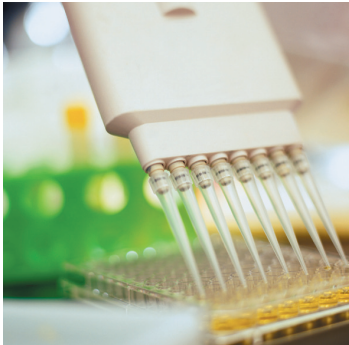


aerospace  
climate control  
electromechanical  
filtration  
fluid & gas handling  
hydraulics  
**pneumatics**  
process control  
sealing & shielding



# P3X Lite Series Air Preparation System

G1/2 & G3/4 Body Ported

Catalogue no. PDE2620TCUK April 2021



ENGINEERING YOUR SUCCESS.

## Table of Contents

---

|  |         |
|--|---------|
| The System .....                       | 3       |
| Nano Mist .....                        | 4       |
| Popular combinations .....             | 5       |
| Filters .....                          | 6 - 7   |
| Coalescing filters .....               | 8 - 9   |
| Adsorber filters .....                 | 10 - 11 |
| Regulators .....                       | 12 - 13 |
| Filter regulators .....                | 14 - 15 |
| Lubricators .....                      | 16 - 17 |
| Proportional Pressure Regulators ..... | 18 - 19 |
| Combined Soft Start Dump Valves .....  | 20 - 21 |
| Modular slide valve .....              | 22      |
| Modular manifold .....                 | 22      |
| Solenoid Coils .....                   | 23      |
| Accessories .....                      | 24      |



### WARNING

FAILURE OR IMPROPER SELECTION OR IMPROPER USE OF THE PRODUCTS AND/OR SYSTEMS DESCRIBED HEREIN OR RELATED ITEMS CAN CAUSE DEATH, PERSONAL INJURY AND PROPERTY DAMAGE.

This document and other information from Parker Hannifin Corporation, its subsidiaries and authorized distributors provide product and/or system options for further investigation by users having technical expertise. It is important that you analyze all aspects of your application and review the information concerning the product or system in the current product catalog. Due to the variety of operating conditions and applications for these products or systems, the user, through its own analysis and testing, is solely responsible for making the final selection of the products and systems and assuring that all performance, safety and warning requirements of the application are met. The products described herein, including without limitation, product features, specifications, designs, availability and pricing, are subject to change by Parker Hannifin Corporation and its subsidiaries at any time without notice.

### SALE CONDITIONS

The items described in this document are available for sale by Parker Hannifin Corporation, its subsidiaries or its authorized distributors. Any sale contract entered into by Parker will be governed by the provisions stated in Parker's standard terms and conditions of sale (copy available upon request).

## P3X Lite Series

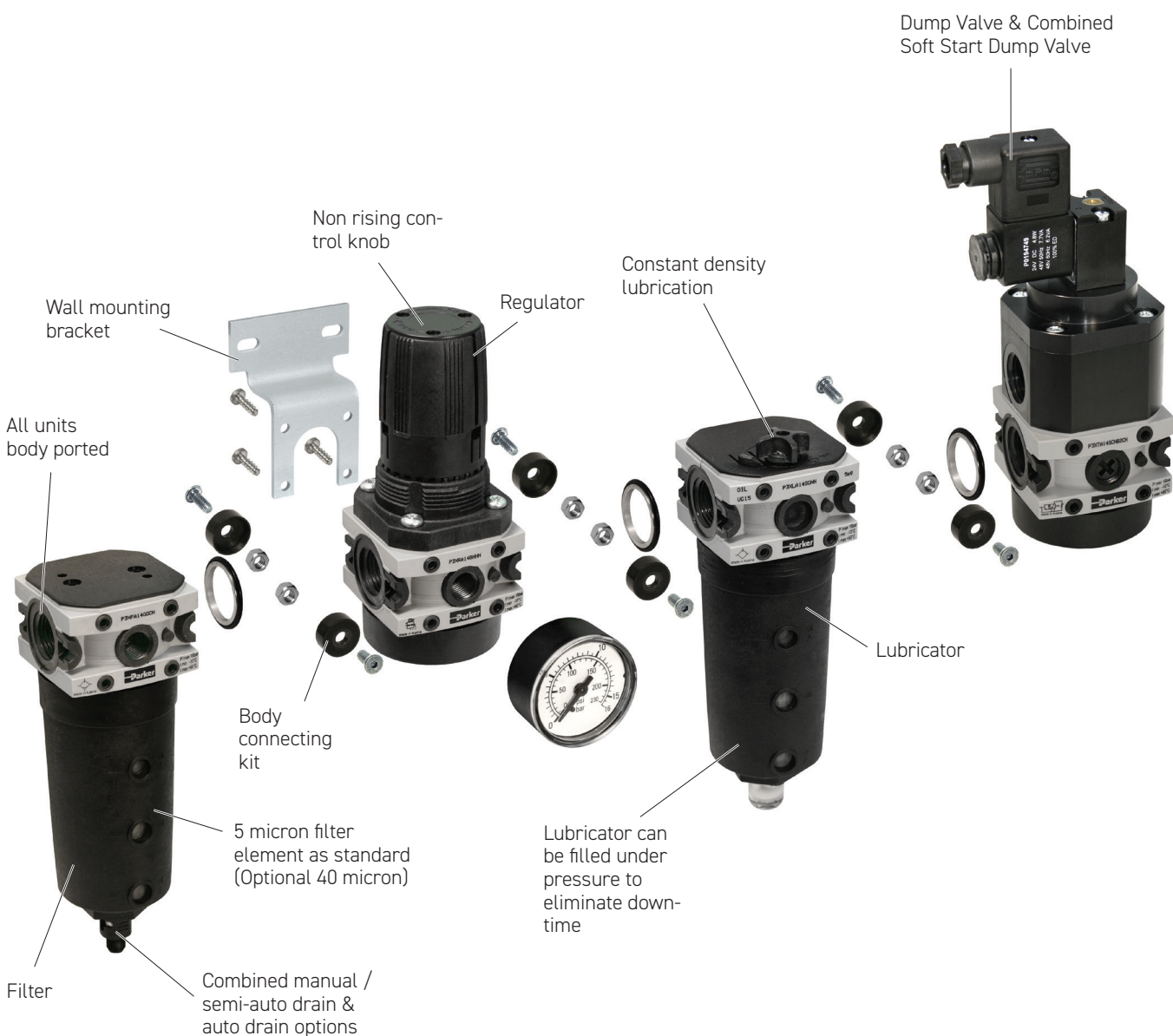
### The System

The P3X system allows units to be connected together, without the use of pipe connectors, saving space; providing constant mounting centres; whilst maintaining a modern aesthetically pleasing appearance.

The P3X Filters are specially designed to efficiently filter out rust, dirt, moisture and other impurities from compressed air lines. Operation is fully automatic with a minimum of pressure drop. Coalescing filters and adsorber filters for high purity air are also included in the P3X series.

The P3X Regulators are designed to provide quick response and accurate pressure regulation for the most demanding hi-flow industrial applications. The rolling diaphragm was designed for long trouble-free operation and will not rupture or tear under high cycle or other demanding applications.

The P3X mist lubricators are designed to provide lubrication for many general purpose applications in a pneumatic system.



**New Technology**

The P3X Lite FRL system is constructed from ultra light weight technopolymers instead of the traditional aluminium or zinc die cast, this means that it is up to 45% lighter than conventional units. This non-metal construction also means that the P3X Lite is corrosion free enabling it to be used in harsh industrial environments where anti freeze or aggressive synthetic oils are present.

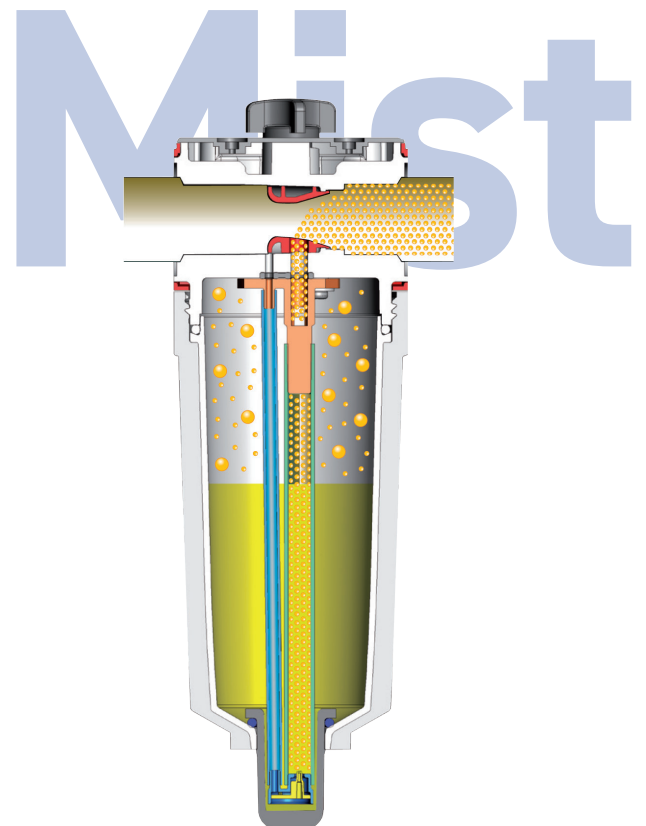
The use of technopolymers in the design of P3X Lite has facilitated a universal body design, this has resulted in reducing the number of variants required to cover the full spectrum of applications. This can dramatically lower logistic costs and simplify stock holding for customers making the P3X Lite a very cost effective solution.



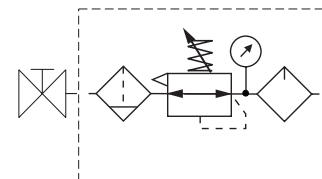
## **New Nano Mist Technology, New Lubricator Concept. Self-Adjusting.**

With conventional lubricators, only the oil volume per time unit can be adjusted. If the demand changes, the quantity dispensed still remains constant.

The P3X Lite lubricator concept sets new benchmarks here. For the first time, the oil volume is automatically adjusted to the flow rate. This ensures that there is neither too little nor too much oil in the system, which leads to clear economic and ecological advantages. In addition, with conventional systems, the distance between the lubricator and the equipment has to be less than 8 meters. With larger distances, the dispensed oil is deposited as a wall flow. The new lubricator principle of the P3X Lite allows for distances of up to 40 meters. This opens up new scope for the design of even more efficient production systems.

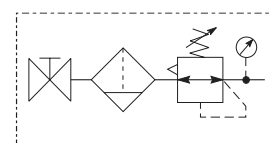


**Popular Combinations**



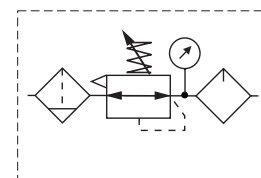
**Slide Valve + Filter/Regulator + Lubricator Combinations (50mg/m<sup>3</sup>)  
 5 micron element, 8 bar Regulator + Gauge and Wall Mounting Bracket**

| Port size                     | Combined Manual/Semi-Auto Drain | Flow dm <sup>3</sup> /s | Weight (g) | Auto Drain             | Flow dm <sup>3</sup> /s | Weight (g) |
|-------------------------------|---------------------------------|-------------------------|------------|------------------------|-------------------------|------------|
| G <sup>1</sup> / <sub>2</sub> | <b>P3XAA14GECNGPNW</b>          | 76                      | 1300       | <b>P3XAA14GEANGPNW</b> | 76                      | 1300       |
| G <sup>3</sup> / <sub>4</sub> | <b>P3XAA16GECNGPNW</b>          | 77                      | 1300       | <b>P3XAA16GEANGPNW</b> | 77                      | 1300       |



**Slide Valve + Filter/Regulator Combinations  
 5 micron element, 8 bar Regulator + Gauge and Wall Mounting Bracket**

| Port size                     | Combined Manual/Semi-Auto Drain | Flow dm <sup>3</sup> /s | Weight (g) | Auto Drain           | Flow dm <sup>3</sup> /s | Weight (g) |
|-------------------------------|---------------------------------|-------------------------|------------|----------------------|-------------------------|------------|
| G <sup>1</sup> / <sub>2</sub> | <b>P3XAN14GECNGW</b>            | 105                     | 950        | <b>P3XAN14GEANGW</b> | 105                     | 950        |
| G <sup>3</sup> / <sub>4</sub> | <b>P3XAN16GECNGW</b>            | 106                     | 950        | <b>P3XAN16GEANGW</b> | 106                     | 950        |



**Filter/Regulator + Lubricator Combinations (50mg/m<sup>3</sup>)  
 5 micron element, 8 bar Regulator + Gauge and Wall Mounting Bracket**

| Port size                     | Combined Manual/Semi-Auto Drain | Flow dm <sup>3</sup> /s | Weight (g) | Auto Drain             | Flow dm <sup>3</sup> /s | Weight (g) |
|-------------------------------|---------------------------------|-------------------------|------------|------------------------|-------------------------|------------|
| G <sup>1</sup> / <sub>2</sub> | <b>P3XCA14GECNGPNW</b>          | 76                      | 1000       | <b>P3XCA14GEANGPNW</b> | 76                      | 1000       |
| G <sup>3</sup> / <sub>4</sub> | <b>P3XCA16GECNGPNW</b>          | 77                      | 1000       | <b>P3XCA16GEANGPNW</b> | 77                      | 1000       |

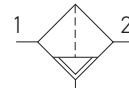
**Options:**

|                                       |           |          |          |                                 |          |                        |           |                                      |          |
|---------------------------------------|-----------|----------|----------|---------------------------------|----------|------------------------|-----------|--------------------------------------|----------|
| <b>P 3 X</b>                          |           | <b>1</b> |          | <b>GE</b>                       |          |                        |           | <b>PN</b>                            | <b>W</b> |
| Filter/Reg + Lubricator               | <b>CA</b> | BSPP (G) | <b>1</b> | Combined Manual/Semi Auto Drain | <b>C</b> | 0 - 8 bar with gauge   | <b>G</b>  |                                      |          |
| Slide valve + Filter/Reg              | <b>AN</b> | NPT*     |          | Auto Drain                      | <b>A</b> | 0 - 16 bar with gauge  | <b>J</b>  |                                      |          |
| Slide valve + Filter/Reg + Lubricator | <b>AA</b> |          |          |                                 |          |                        |           |                                      |          |
| * 1/2" NPT see Accessories            |           | 1/2      | <b>4</b> | Non rise - Standard             | <b>N</b> | (50mg/m <sup>3</sup> ) | <b>PN</b> | Add only for options with lubricator |          |
|                                       |           | 3/4      | <b>6</b> | Tamperproof - Lockable          | <b>A</b> |                        |           |                                      |          |

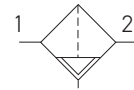
**Particulate Filters**



**Symbols**



Manual / Semi auto drain



Auto drain

- Integral 1/2 or 3/4" ports
- 2 stage filtration
- High efficiency 5µ particulate element as standard
- Excellent water removal efficiency
- Low temperature -40°C with combined manual/semi - auto drain as standard

**Options:**

|                  |          |     |          |                            |          |                                 |          |
|------------------|----------|-----|----------|----------------------------|----------|---------------------------------|----------|
| <b>P 3 X F A</b> | <b>1</b> |     |          |                            | <b>G</b> |                                 | <b>N</b> |
| BSPP (G)         | <b>1</b> | 1/2 | <b>4</b> | 5 Micron Element Standard  | <b>E</b> | Combined Manual/Semi Auto Drain |          |
| NPT*             |          | 3/4 | <b>6</b> | 40 Micron Element Optional | <b>G</b> |                                 |          |
|                  |          |     |          | 1 Micron Dust Filter       | <b>2</b> |                                 |          |

\*1/2" NPT see Accessories

| Port size | Description                     | Order Code         | Flow dm <sup>3</sup> /s * | Max bar | Min temp °C | Max temp °C | Bowl capacity cm <sup>3</sup> | Height mm | Width mm | Depth mm | Weight g |
|-----------|---------------------------------|--------------------|---------------------------|---------|-------------|-------------|-------------------------------|-----------|----------|----------|----------|
| 1/2       | Combined manual/semi auto drain | <b>P3XFA14EGCN</b> | 55                        | 16      | -40         | 60          | 60                            | 192       | 62       | 62       | 320      |
| 1/2       | Auto drain                      | <b>P3XFA14EGAN</b> | 55                        | 16      | -10         | 60          | 60                            | 192       | 62       | 62       | 320      |
| 3/4       | Combined manual/semi auto drain | <b>P3XFA16EGCN</b> | 57                        | 16      | -40         | 60          | 60                            | 192       | 62       | 62       | 320      |
| 3/4       | Auto drain                      | <b>P3XFA16EGAN</b> | 57                        | 16      | -10         | 60          | 60                            | 192       | 62       | 62       | 320      |

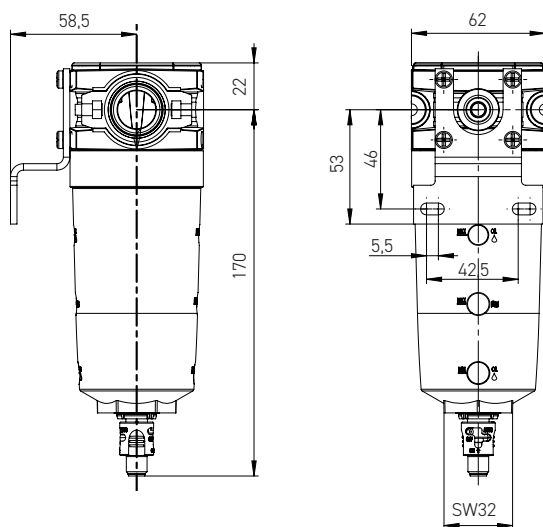
\* flow with 6,3 bar inlet pressure and 0,5 pressure drop.

## Technical Information

|  |                            |
|--|----------------------------|
| Fluid:   | Compressed air             |
| Maximum inlet pressure:  | 16 bar                     |
| Temperature range*:  |                            |
| Auto drain:  | -10°C to +60°C             |
| Combined drain:  | -40°C to +60°C             |
| Particle removal:  | 1, 5 & 40 micron           |
| Typical flow with 5µm element<br>6,3 bar inlet pressure<br>and 0.5 bar pressure<br>drop:   | 1/2" 55 dm <sup>3</sup> /s |
| Semi-auto drain:<br>bowl pressure to close drain   | 0.8 bar                    |
| Auto drain:<br>bowl pressure to close drain<br>Operating range<br>manual override facility | 0.8 bar<br>0.8 to 16 bar   |
| Bowl sump capacity:  | 60 cm <sup>3</sup>         |

\* Air supply must be dry enough to avoid ice formation at temperatures below +2°C

## Dimensions (mm)



## Service kits

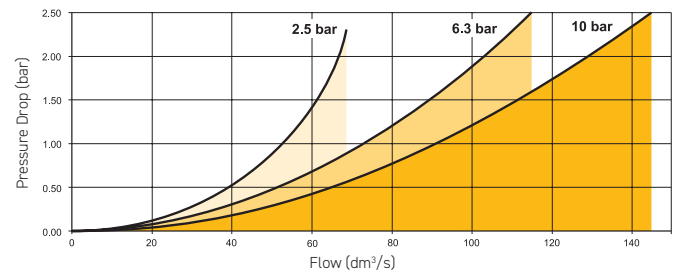
| Description                                   | Order code |
|---|------------|
| 5 micron element kit                          | P3XKA00ESE |
| 40 micron element kit                         | P3XKA00ESG |
| Bowl kit with combines manual/semi auto drain | P3XKA00BSC |
| Bowl kit with auto drain                      | P3XKA00BSA |
| 1 micron element kit                          | P3XKA00ES9 |

## Material Specification

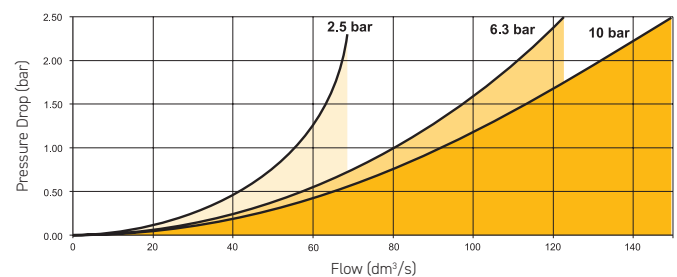
|              |                            |
|--------------|----------------------------|
| Body:        | High tech polymer          |
| Sight glass: | Polypropylene              |
| Body cover:  | ABS                        |
| Element:     | Sintered P.E.              |
| Seals:       | Nitrile NBR                |
| Drains:      | Manual / Semi-auto: Acetal |
|              | Automatic: PA / Brass      |

## Flow characteristics

### (1/2) 5 Micron Filter



### (3/4) 5 Micron Filter



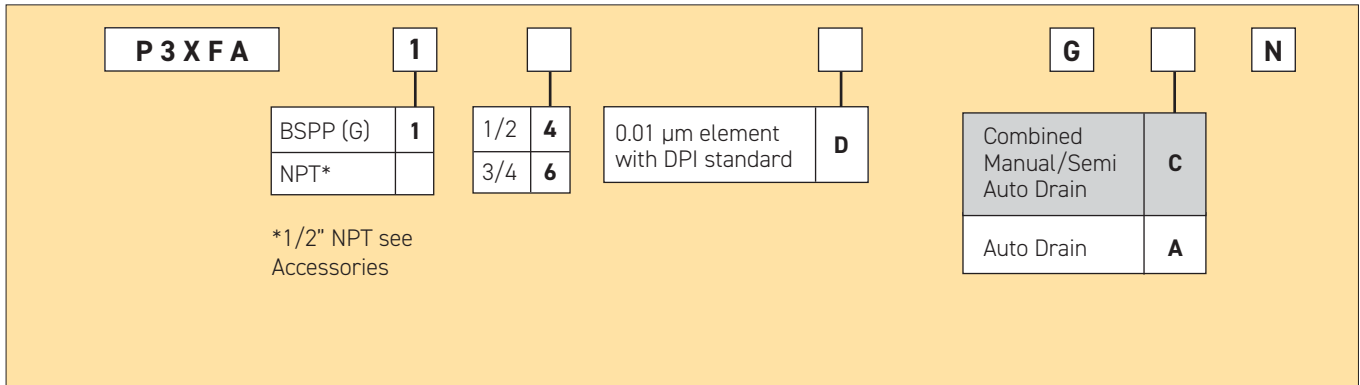
**Coalescing Filters**



- Integral 1/2 or 3/4 ports
- Removes liquid aerosols and sub micron particles
- Oil free air for critical applications, such as air gauging, pneumatic instrumentation and control

**Note:** To optimise the life of the coalescing element, it is advisable to install a P3XFA pre-filter with a 5 or 1 micron element upstream of the coalescing filter.

**Options:**



| Port size | Description   | Order Code         | Flow dm <sup>3</sup> /s * | Max bar | Min temp °C | Max temp °C | Bowl capacity cm <sup>3</sup> | Height mm | Width mm | Depth mm | Weight g |
|-----------|---|--------------------|---------------------------|---------|-------------|-------------|-------------------------------|-----------|----------|----------|----------|
| 1/2       | Coalescing Filter 0.01µm, Combined manual/semi auto drain | <b>P3XFA14DGCN</b> | 24                        | 16      | -10         | 60          | 60                            | 217       | 62       | 62       | 320      |
| 1/2       | Coalescing Filter 0.01µm, auto drain                      | <b>P3XFA14DGAN</b> | 24                        | 16      | -10         | 60          | 60                            | 217       | 62       | 62       | 320      |
| 3/4       | Coalescing Filter 0.01µm, Combined manual/semi auto drain | <b>P3XFA16DGCN</b> | 24                        | 16      | -10         | 60          | 60                            | 217       | 62       | 62       | 320      |
| 3/4       | Coalescing Filter 0.01µm, auto drain                      | <b>P3XFA16DGAN</b> | 24                        | 16      | -10         | 60          | 60                            | 217       | 62       | 62       | 320      |

\* flow with 6,3 bar inlet pressure and 0,2 pressure drop.



**Technical Information**

|  |                                       |
|--|---------------------------------------|
| Fluid:   | Compressed air                        |
| Maximum inlet pressure:  | 16 bar                                |
| Temperature range*:  | -10°C to +60°C                        |
| Media specifications:  |                                       |
| Coalescing efficiency  | (0.3 to 0.6 micron particles): 99.97% |
| Max. oil carryover (PPM w/w):  | 0.008 mg/m <sup>3</sup>               |
| Typical flow element @ 6,3 bar inlet pressure and 0.2 bar pressure drop: | 16 dm <sup>3</sup> /s                 |
| Manual / Semi-auto drain:  |                                       |
| Bowl pressure to close drain   | 0.8 bar                               |
| Auto drain:  |                                       |
| bowl pressure to close drain   | 0.8 bar                               |
| Operating range manual override facility                                 | 0.8 to 16 bar                         |
| Bowl sump capacity:  | 60 cm <sup>3</sup>                    |

\* Air supply must be dry enough to avoid ice formation at temperatures below +2°C

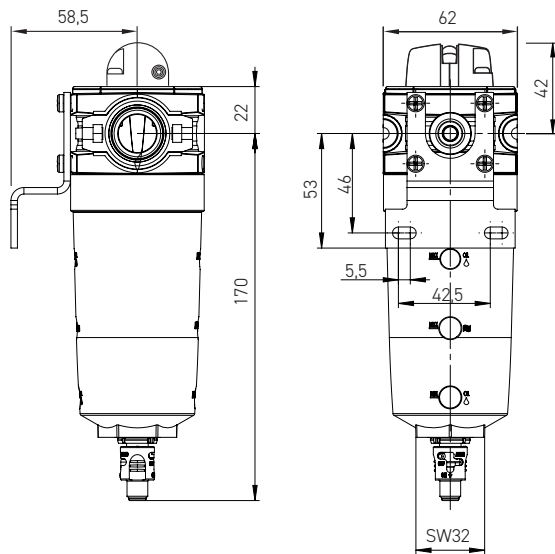
**Material Specification**

|                              |                            |
|------------------------------|----------------------------|
| Body:                        | High tech polymer          |
| Sight glass:                 | Polypropylene              |
| Filter cover:                | ABS                        |
| Coalescing element:          | Borosilicate & Nano fibres |
| Top & bottom end cap:        | Glass filled nylon - Black |
| Support cylinders:           | Grade 430 stainless steel  |
| Support media:               | Polypropylene              |
| Anti re-entrainment barrier: | Polyester                  |
| Ensapulate:                  | Epoxy resin / Hardener     |
| Seals:                       | Nitrile NBR                |
| Drains:                      | Manual / Semi-auto: Acetal |
|                              | Automatic: PA / Brass      |

Differential pressure indicator materials:

|                 |                     |
|-----------------|---------------------|
| Body:           | Acetal              |
| Internal parts: | Acetal              |
| Spring:         | Stainless steel     |
| Seals:          | Nitrile NBR         |
| Screws:         | Steel / zinc plated |

**Dimensions (mm)**

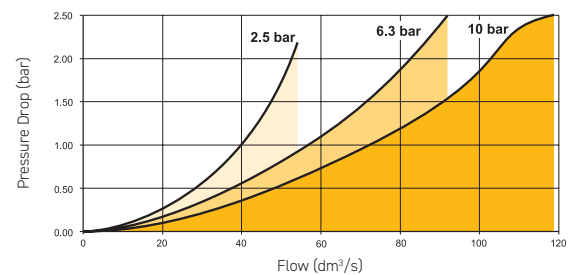


**Service kits**

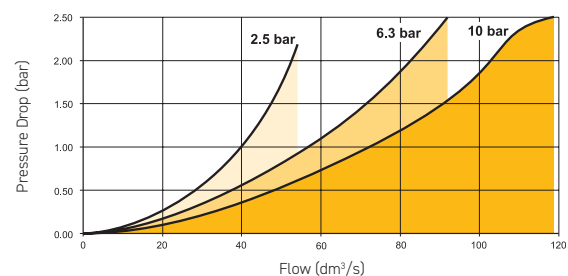
| Description                                   | Order code        |
|---|-------------------|
| 0.01 micron coalescing element kit            | <b>P3XKA00ESC</b> |
| Bowl kit with combines manual/semi auto drain | <b>P3XKA00BSC</b> |
| Bowl kit with auto drain                      | <b>P3XKA00BSA</b> |
| Differential pressure indicator kit           | <b>P3XKA00RQ</b>  |

**Flow characteristics**

**(1/2) 0.01µm Coalescing Filter Saturated**



**(3/4) 0.01µm Coalescing Filter Saturated**



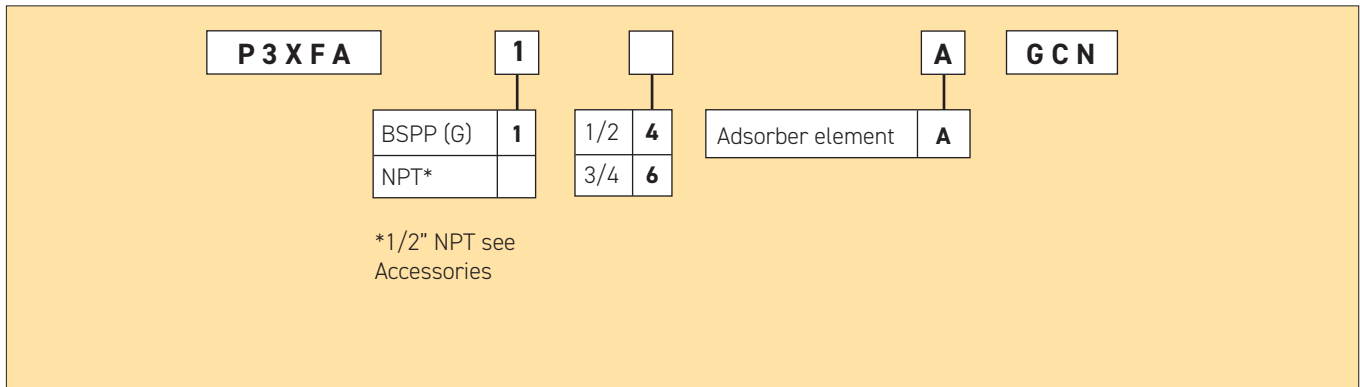
**Adsorber Oil Vapour Filters**



- Integral 1/2 or 3/4 ports
- Adsorber activated carbon element removes oil vapours and most hydrocarbons

**Note:** To optimise the life of the adsorber element, it is advisable to install a P3X pre filter 1 or 5 micron and a coalescer 0.01 µm filter upstream of the adsorber filter.

**Options:**



| Port size | Description                               | Order Code         | Flow dm <sup>3</sup> /s * | Max bar | Min temp °C | Max temp °C | Bowl capacity cm <sup>3</sup> | Height mm | Width mm | Depth mm | Weight g |
|-----------|---|--------------------|---------------------------|---------|-------------|-------------|-------------------------------|-----------|----------|----------|----------|
| 1/2       | Adsorber Filter, Manual / Semi-auto drain | <b>P3XFA14AGCN</b> | 18                        | 16      | -10         | 60          | 60                            | 192       | 62       | 62       | 320      |
| 3/4       | Adsorber Filter, Manual / Semi-auto drain | <b>P3XFA16AGCN</b> | 18                        | 16      | -10         | 60          | 60                            | 192       | 62       | 62       | 320      |

\* flow with 6,3 bar inlet pressure and 0,2 pressure drop.

**Technical Information**

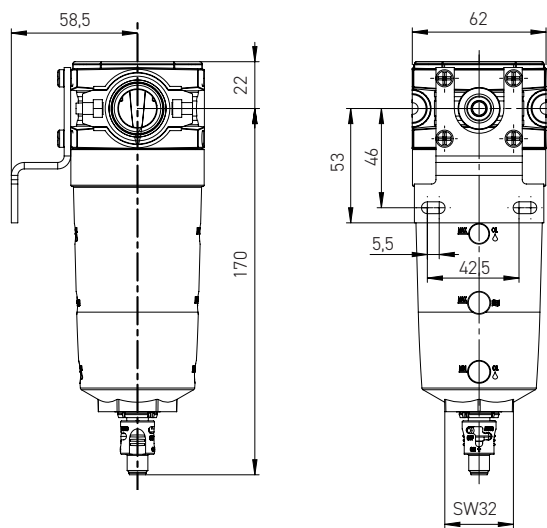
|   |                 |                       |
|---|-----------------|-----------------------|
| Fluid:  | Compressed air  |                       |
| Maximum inlet pressure:   | 16 bar          |                       |
| Temperature range*:   | -10°C to +60°C  |                       |
| Typical flow at 6,3 bar inlet pressure and 0.2 bar pressure drop: | Adsorber        | 18 dm <sup>3</sup> /s |
| Manual / Semi-auto drain:   | 1/8" connection |                       |
| to close connection   | 0.8 bar         |                       |

\* Air supply must be dry enough to avoid ice formation at temperatures below +2°C

**Material Specification**

|                           |                           |
|---------------------------|---------------------------|
| Body:                     | High tech polymer         |
| Sight glass:              | Polypropylene             |
| Filter cover:             | ABS                       |
| Adsorber element:         | Activated carbon          |
| Top & bottom endcap:      | Glass filled nylon        |
| Support cylinders:        | Grade 430 stainless steel |
| Support media:            | 100% spun polypropylene   |
| Support sock:             | Polyester needlefelt      |
| Encapsulant:              | Epoxy resin / Hardener    |
| Seals:                    | Nitrile NBR               |
| Drain: Manual / Semi-auto | Acetal                    |

**Dimensions (mm)**

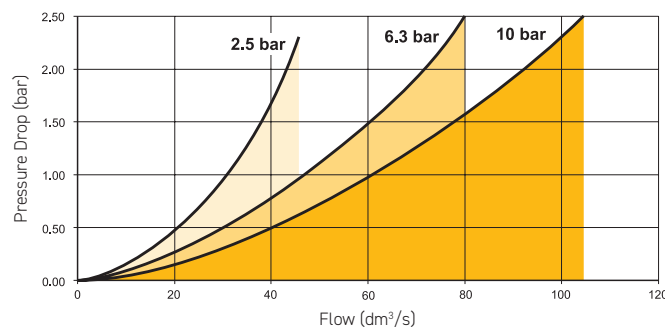


**Service kits**

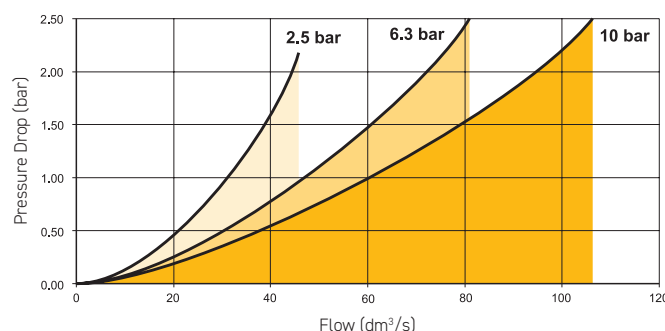
| Description                | Order code        |
|----------------------------|-------------------|
| Adsorber element kit       | <b>P3XKA00ESA</b> |
| Bowl kit with manual drain | <b>P3XKA00BSC</b> |

**Flow characteristics**

**(1/2) Adsorber Filter**



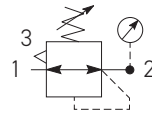
**(3/4) Adsorber Filter**



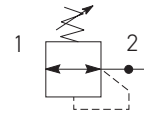
**Regulators**



**Symbols**



Self relieving regulator with gauge



Non relieving regulator

- Integral 1/2 or 3/4 ports
- Secondary pressure ranges 8 & 16 bar
- Rolling diaphragm for extended life
- Secondary aspiration plus rolling diaphragm provides quick response and accurate pressure regulation.
- Optional tamperproof regulator, up to x 3 padlocks
- Relieving & Non-relieving types
- Low temperature -40°C as standard

**Options:**

|                           |          |     |          |           |          |                        |          |
|---------------------------|----------|-----|----------|-----------|----------|------------------------|----------|
| <b>P 3 X R A</b>          | <b>1</b> | □   | □        | □         | □        | □                      | <b>N</b> |
| BSPP (G)                  | <b>1</b> | 1/2 | <b>4</b> | Relieving | <b>B</b> | Non rise - standard    | <b>N</b> |
| NPT*                      |          | 3/4 | <b>6</b> |           |          | Tamperproof - Lockable | <b>A</b> |
| *1/2" NPT see Accessories |          |     |          |           |          | 0 - 4 bar No Gauge     | <b>L</b> |
|                           |          |     |          |           |          | 0 - 8 bar No Gauge     | <b>N</b> |
|                           |          |     |          |           |          | 0 - 16 bar No Gauge    | <b>H</b> |
|                           |          |     |          |           |          | 0 - 4 bar Gauge        | <b>M</b> |
|                           |          |     |          |           |          | 0 - 8 bar Gauge        | <b>G</b> |
|                           |          |     |          |           |          | 0 - 16 bar Gauge       | <b>J</b> |

| Port size | Description  | Order Code         | Flow dm <sup>3</sup> /s * | Max bar | Min temp °C | Max temp °C | Height mm | Width mm | Depth mm | Weight g |
|-----------|--|--------------------|---------------------------|---------|-------------|-------------|-----------|----------|----------|----------|
| 1/2       | 8 bar relieving  | <b>P3XRA14BNNN</b> | 122                       | 16      | -40         | 60          | 150       | 62       | 62       | 360      |
| 1/2       | 8 bar relieving + pressure gauge                           | <b>P3XRA14BNGN</b> | 122                       | 16      | -10         | 60          | 150       | 62       | 95       | 410      |
| 3/4       | 8 bar relieving  | <b>P3XRA16BNNN</b> | 134                       | 16      | -40         | 60          | 150       | 62       | 62       | 360      |
| 3/4       | 8 bar relieving + pressure gauge                           | <b>P3XRA16BNGN</b> | 134                       | 16      | -10         | 60          | 150       | 62       | 95       | 410      |
| 1/2       | 8 bar relieving with tamperproof facility                  | <b>P3XRA14BANN</b> | 122                       | 16      | -40         | 60          | 158       | 62       | 62       | 360      |
| 1/2       | 8 bar relieving with tamperproof facility + pressure gauge | <b>P3XRA14BAGN</b> | 122                       | 16      | -10         | 60          | 158       | 62       | 95       | 410      |
| 3/4       | 8 bar relieving with tamperproof facility                  | <b>P3XRA16BANN</b> | 134                       | 16      | -40         | 60          | 158       | 62       | 62       | 360      |
| 3/4       | 8 bar relieving with tamperproof facility + pressure gauge | <b>P3XRA16BAGN</b> | 134                       | 16      | -10         | 60          | 158       | 62       | 95       | 410      |

\* flow with 10 bar inlet pressure, 6,3 bar set pressure and 1 bar pressure drop.  
 Tamperproof regulator will require lock kit (on opposite page) to lock regulator.

## Technical Information

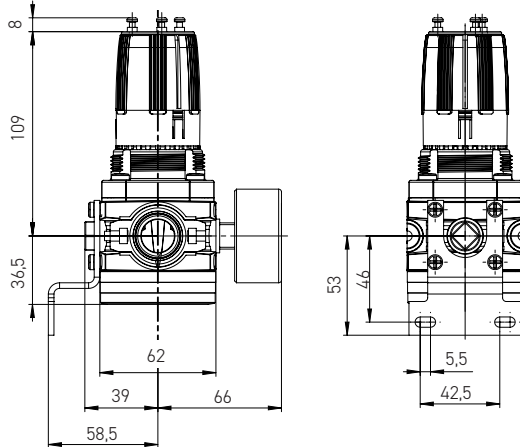
|  |  |
|--|--|
| Fluid:   | Compressed air   |
| Maximum inlet pressure:  | 16 bar   |
| Temperature range*:  | -40°C to +60°C   |
| Typical flow with 10 bar inlet pressure, 6.3 bar set pressure and 1 bar pressure drop: | 1/2" 122 dm <sup>3</sup> /s<br>3/4" 134 dm <sup>3</sup> /s |
| Gauge port ( x 2 ):  | 1/4 BSP  |

\* Air supply must be dry enough to avoid ice formation at temperatures below +2°C

## Material Specification

|                  |                   |
|------------------|-------------------|
| Body:            | High tech polymer |
| Bonnet:          | High tech polymer |
| Regulator cover: | ABS               |
| Control Knob:    | Polyamide         |
| Valve:           | Brass / Nitrile   |
| Seals:           | Nitrile NBR       |
| Screws:          | Stainless steel   |

## Dimensions (mm)



## Service kits

| Description                        | Order code       |
|------------------------------------|------------------|
| Wall bracket - Stainless steel     | <b>P3XKA00MM</b> |
| Panel mounting nut                 | <b>P3XKA00MM</b> |
| Key lock                           | <b>P3XKA00AS</b> |
| Diaphragm kit (relieving type)     | <b>P3XKA00RR</b> |
| Diaphragm kit (non-relieving type) | <b>P3XKA00RN</b> |
| Pressure Gauge 0 to 10 bar G1/4"   | <b>KG8012-00</b> |
| 0 to 16 bar G1/4"                  | <b>KG8013-00</b> |

## Lockable Tamperproof Kit (up to x 3 padlocks)

This facilitates the tamperproofing of the Regulator and Filter-Regulator units. (On request)



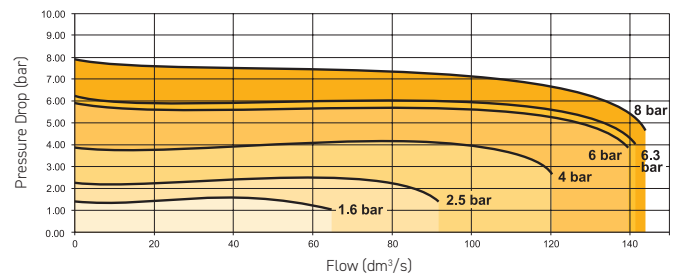
### Order code

1 Padlock each

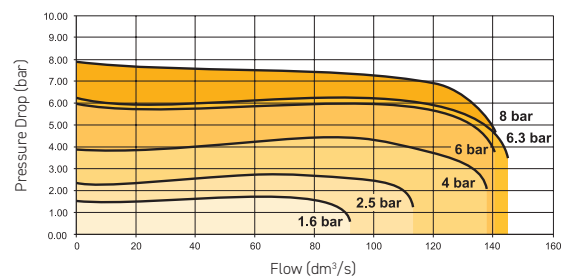
**P3XKA00AS**

## Flow characteristics

### Regulation characteristics: (1/2)



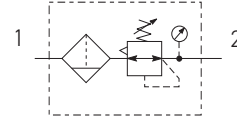
### Regulation characteristics: (3/4)



**Filter \ Regulators**

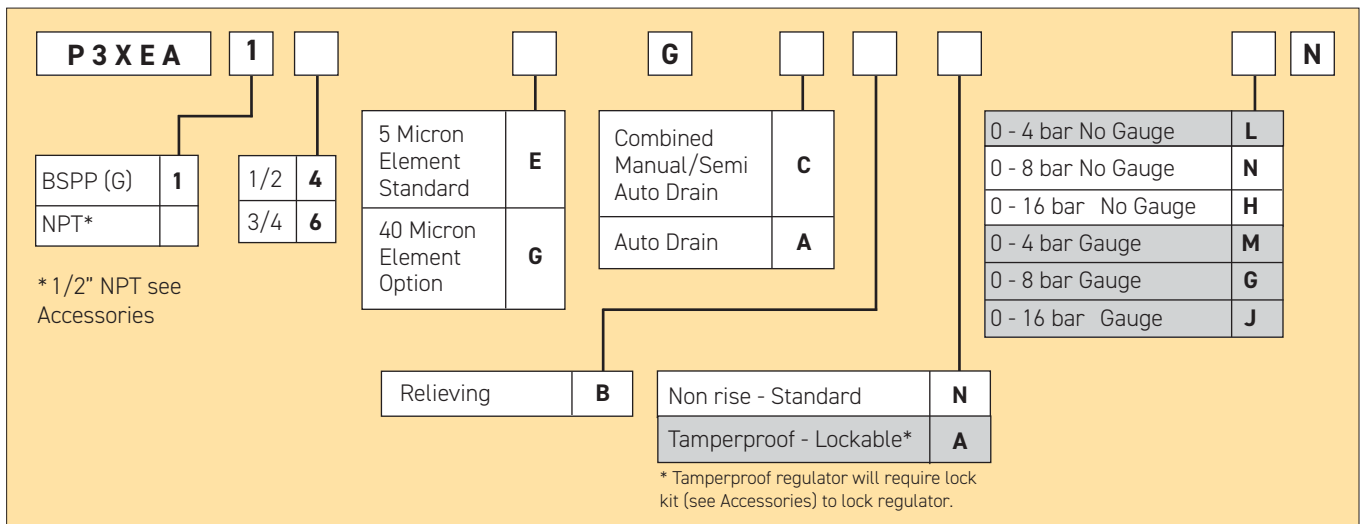


**Symbols**



- Integral 1/2 or 3/4 ports
- High efficiency 5 micron element as standard
- Excellent water removal efficiency
- Secondary pressure ranges 8 and 16 bar
- Rolling diaphragm for extended life
- Secondary aspiration plus balanced poppet provides quick response and accurate pressure regulation.
- Low temperature -40°C with combined manual/semi - auto drain as standard

**Options:**



| Port size | Description   | Order Code            | Flow dm <sup>3</sup> /s * | Max bar | Min temp °C | Max temp °C | Bowl capacity cm <sup>3</sup> | Height mm | Width mm | Depth mm | Weight g |
|-----------|---|-----------------------|---------------------------|---------|-------------|-------------|-------------------------------|-----------|----------|----------|----------|
| 1/2       | 8 bar, relieving, Combined manual/semi auto drain       | <b>P3XEA14EGCBNNN</b> | 111                       | 16      | -40         | 60          | 60                            | 280       | 62       | 62       | 500      |
| 1/2       | 8 bar relieving, auto drain                             | <b>P3XEA14EGABNNN</b> | 111                       | 16      | -10         | 60          | 60                            | 280       | 62       | 62       | 500      |
| 1/2       | 8 bar, relieving, gauge Combined manual/semi auto drain | <b>P3XEA14EGCBNGN</b> | 111                       | 16      | -10         | 60          | 60                            | 280       | 62       | 62       | 550      |
| 1/2       | 8 bar relieving, gauge, auto drain                      | <b>P3XEA14EGABNGN</b> | 111                       | 16      | -10         | 60          | 60                            | 280       | 62       | 62       | 550      |
| 3/4       | 8 bar, relieving, Combined manual/semi auto drain       | <b>P3XEA16EGCBNNN</b> | 113                       | 16      | -40         | 60          | 60                            | 280       | 62       | 62       | 500      |
| 3/4       | 8 bar relieving, auto drain                             | <b>P3XEA16EGABNNN</b> | 113                       | 16      | -10         | 60          | 60                            | 280       | 62       | 62       | 500      |
| 3/4       | 8 bar, relieving, gauge Combined manual/semi auto drain | <b>P3XEA16EGCBNGN</b> | 113                       | 16      | -10         | 60          | 60                            | 280       | 62       | 62       | 550      |
| 3/4       | 8 bar relieving, gauge, auto drain                      | <b>P3XEA16EGABNGN</b> | 113                       | 16      | -10         | 60          | 60                            | 280       | 62       | 62       | 550      |

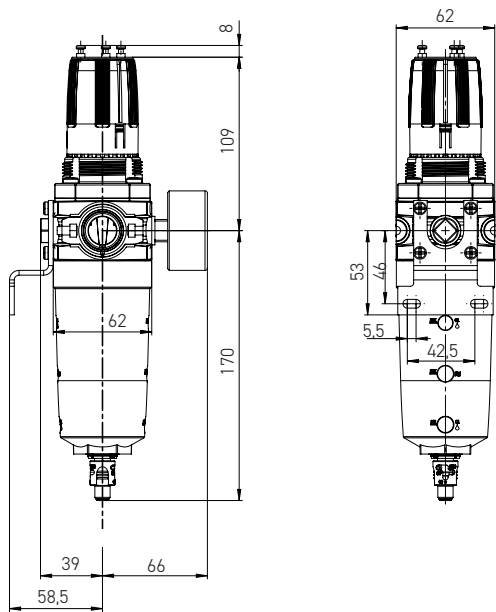
\* flow with 10 bar inlet pressure, 6,3 bar set pressure and 1 bar pressure drop.

**Technical Information**

|  |                        |
|--|------------------------|
| Fluid:   | Compressed air         |
| Maximum inlet pressure:  | 16 bar                 |
| Temperature range*:  |                        |
| Auto drain:  | -10°C to +60°C         |
| Combined drain:  | -40°C to +60°C         |
| Particle removal:  | 5 micron and 40 micron |
| Typical flow with 10 bar inlet pressure 6,3 bar set pressure and 1 bar pressure drop | 106 dm <sup>3</sup> /s |
| Manual / Semi-auto drain: pressure to close drain                                    | 0.8 bar                |
| Auto drain:  |                        |
| bowl pressure to close drain   | 0.8 bar                |
| Operating range  | 0.8 to 16 bar          |
| manual override facility   |                        |
| Bowl sump capacity:  | 60 cm <sup>3</sup>     |
| Gauge ports ( x 2 ):   | 1/4 BSP                |

\* Air supply must be dry enough to avoid ice formation at temperatures below +2°C

**Dimensions (mm)**



**Service kits**

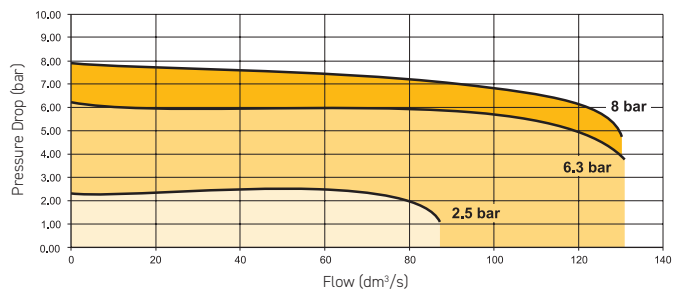
| Description                                   | Order code        |
|---|-------------------|
| 5 micron element kit                          | <b>P3XKA00ESE</b> |
| 40 micron element kit                         | <b>P3XKA00ESG</b> |
| Bowl kit with combined manual/semi auto drain | <b>P3XKA00BSC</b> |
| Bowl kit with auto drain                      | <b>P3XKA00BSA</b> |
| Tamper-proof knob kit (keylock)               | <b>P3XKA00AS</b>  |
| Diaphragm kit (relieving type)                | <b>P3XKA00RR</b>  |
| Diaphragm kit (non-relieving type)            | <b>P3XKA00RN</b>  |
| Wall bracket kit - Stainless steel            | <b>P3XKA00MW</b>  |
| Panel mount nut                               | <b>P3XKA00MM</b>  |
| Pressure Gauge 0 to 10 bar G1/4"              | <b>KG8012-00</b>  |
| 0 to 10 bar G1/4"                             | <b>KG8012-00</b>  |
| Key Lock                                      | <b>P3XKA00AS</b>  |

**Material Specification**

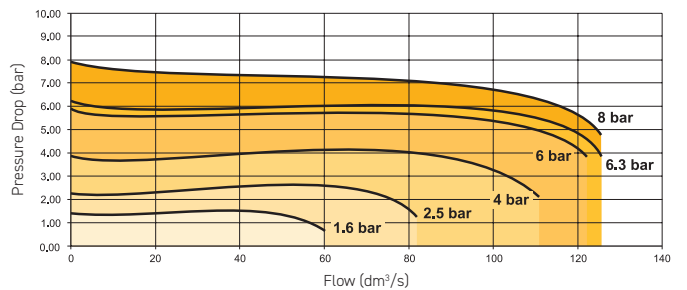
|               |                            |
|---------------|----------------------------|
| Body:         | High tech polymer          |
| Sight glass:  | Polypropylene              |
| Body cover:   | ABS                        |
| Element:      | Sintered P.E.              |
| Seals:        | Nitrile NBR                |
| Drains:       | Manual / Semi-auto: Acetal |
|               | Automatic: PA / Brass      |
| Bonnet:       | High tech polymer          |
| Control knob: | Polyamide                  |
| Valve:        | Brass / Nitrile            |
| Screws:       | Stainless steel            |

**Flow characteristics**

**(1/2) 5 Micron Filter/Regulator**



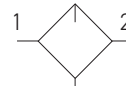
**(3/4) 5 Micron Filter/Regulator**



**Lubricators**



**Symbols**



Lubricator

- Integral 1/2 or 3/4 ports
- Proportional oil delivery over a wide range of air flows.
- No adjustment necessary (self adjusting)
- Fill from top under system pressure

**Options:**

|                            |          |     |          |                       |
|----------------------------|----------|-----|----------|-----------------------|
| <b>P 3 X L A</b>           | <b>1</b> |     |          | <b>G N N</b>          |
| BSPP (G)                   | <b>1</b> | 1/2 | <b>4</b> | 50 mg/m <sup>3</sup>  |
| NPT*                       |          | 3/4 | <b>6</b> | <b>P<sup>2)</sup></b> |
| * 1/2" NPT see Accessories |          |     |          |                       |

| Port size | Description  | Order Code         | Flow dm <sup>3</sup> /s * | Max bar | Min temp °C | Max temp °C | Bowl capacity cm <sup>3</sup> | Height mm | Width mm | Depth mm | Weight g |
|-----------|--|--------------------|---------------------------|---------|-------------|-------------|-------------------------------|-----------|----------|----------|----------|
| 1/2       | Oil mist, fill under pressure (50mg/m <sup>3</sup> ) | <b>P3XLA14PGNN</b> | 78                        | 16      | -10         | 60          | 90                            | 195       | 62       | 62       | 300      |
| 3/4       | Oil mist, fill under pressure (50mg/m <sup>3</sup> ) | <b>P3XLA16PGNN</b> | 78                        | 16      | -10         | 60          | 90                            | 195       | 62       | 62       | 300      |

\* Flow with 6,3 bar inlet pressure and 0,5 pressure drop.

<sup>1)</sup> Best for components which require effective lubrication (e.g. vane driven pneumatic motors / air tools etc.)



**Technical Information**

|                         |                |
|-------------------------|----------------|
| Fluid:                  | Compressed air |
| Maximum inlet pressure: | 16 bar         |
| Temperature range*:     | -10°C to +60°C |

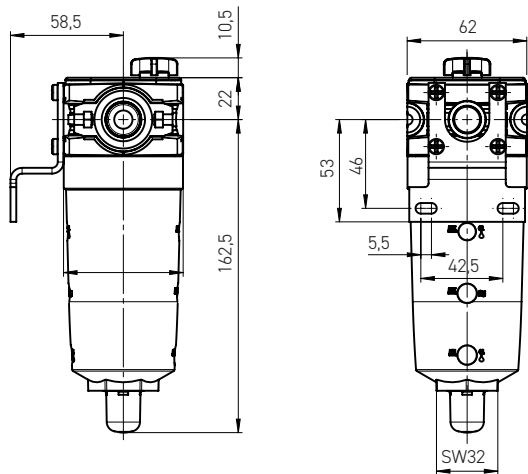
\* Air supply must be dry enough to avoid ice formation at temperatures below +2° C  
 Low flow start point (lubrication pick-up): at 6.3bar inlet pressure 7 dm<sup>3</sup>/s  
 Typical flow with 6.3bar inlet pressure and 0.5 bar pressure drop: 78 dm<sup>3</sup>/s

**Note :** Fill lubricant from top only

**Material Specification**

|                   |                   |
|-------------------|-------------------|
| Body:             | High tech polymer |
| Bowl sight glass: | Polypropylene     |
| Sight dome:       | PA (Nylon)        |
| Lubricator cover: | ABS               |
| Seals:            | Nitrile NBR       |

**Dimensions (mm)**

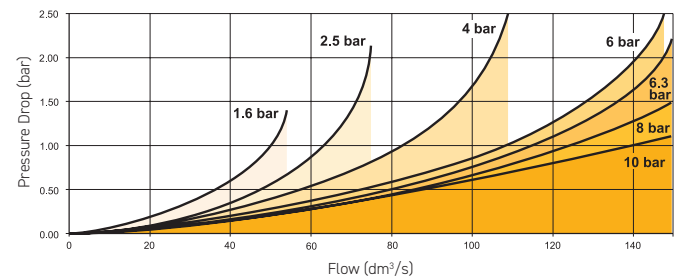


**Service kits**

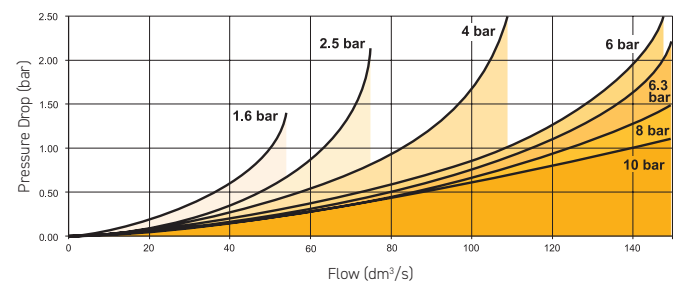
| Description      | Order code        |
|------------------|-------------------|
| Bowl kit         | <b>P3XKA00BSN</b> |
| Refill plug      | <b>P3XKA00PL</b>  |
| Oil VG15 - 100ml | <b>P3XKA00PPA</b> |

**Flow characteristics**

**(1/2) Lubricator**



**(3/4) Lubricator**

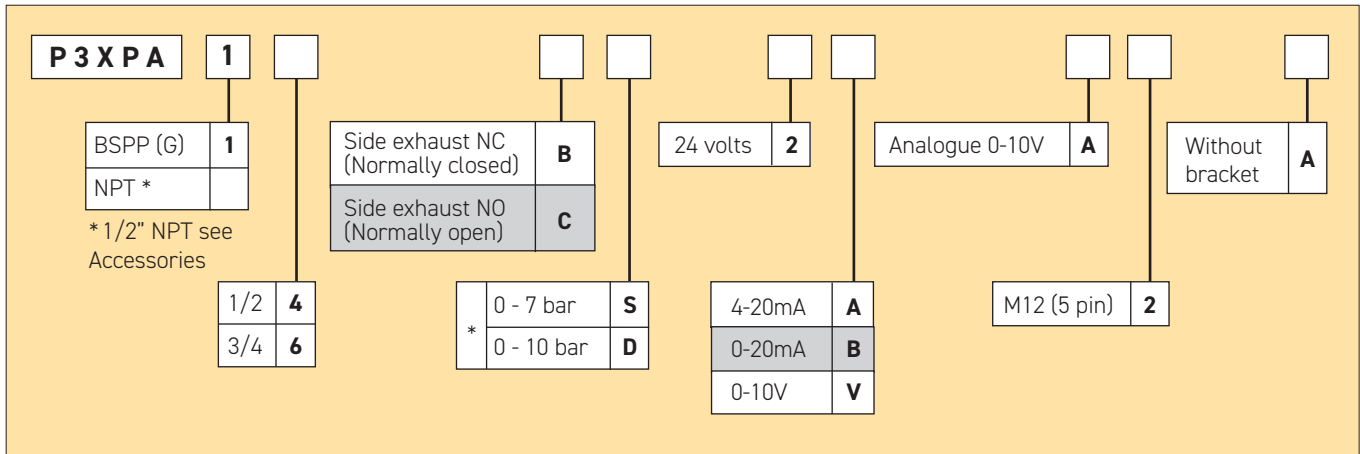


**Proportional Pressure Regulators**



- Integral 1/2" or 3/4" ports
- Accurate output pressure
- Very fast response times
- Robust but lightweight design.

**Options:**



| Port size | Description     | Order Code            | Control signal | Output signal | Output pressure | Weight kg |
|-----------|-----------------|-----------------------|----------------|---------------|-----------------|-----------|
| 1/2       | Normally closed | <b>P3XPA14BD2VA2A</b> | 0 - 10 V       | 0 - 10 V      | 0 - 10 bar      | 0.75      |
| 3/4       | Normally closed | <b>P3XPA16BD2VA2A</b> | 0 - 10 V       | 0 - 10 V      | 0 - 10 bar      | 0.75      |

**Technical Information**

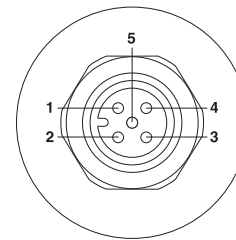
|                              |                             |                        |
|------------------------------|-----------------------------|------------------------|
| Operating pressure range     | P <sup>1</sup> min          | 1 bar                  |
| Inlet pressure <sup>1)</sup> | P <sup>1</sup> max          | 16 bar                 |
| Operating pressure range     | P <sup>2</sup> min          | 0.2 bar                |
| Outlet pressure              | P <sup>2</sup> max          | 10 bar                 |
| Operating Temperature        | 0°C to +50°C                |                        |
| Maximum Flow <sup>2)</sup>   | Q <sub>n</sub>              | dm <sup>3</sup> /s 160 |
| Hysteresis                   | P <sup>2</sup> max          | < 1%                   |
| Repeatability                | P <sup>2</sup> max          | < 0.5%                 |
| Sensitivity                  | P <sup>2</sup> max          | < 0.5%                 |
| Linearity                    | P <sup>2</sup> max          | < 1%                   |
| Nominal voltage              | U <sub>n</sub> V DC         | 24V = ±10%             |
| Residual ripple              | 10%                         |                        |
| Power consumption            | I <sub>Bmax</sub>           | 0.15 A                 |
| Set value input              | U <sub>w</sub> V            | 0 - 10                 |
|                              | I mA                        | 0 - 20                 |
|                              | I mA                        | 4 - 20                 |
| Input resistance             | R <sub>E</sub>              | 243 K Ω                |
| Actual valve output          | U <sub>x</sub>              | 0 - 10 V               |
| Output current               | I <sub>Amax</sub>           | 10 mA                  |
| Degree of protection         | IP65 to DIN 40050, EN 60529 |                        |

- 1) p<sub>1</sub> > p<sub>2</sub> + 10% p<sub>2</sub>
- 2) at p<sub>1</sub> - 10 bar to p<sub>2</sub> - 6.3 bar

**Material Specification**

|                    |                     |
|--------------------|---------------------|
| Body:              | High tech polymer   |
| Booster valve:     | Brass / Nitrile     |
| Standard seals:    | NBR                 |
| Body cover screws: | Steel / zinc plated |
| Body Cover:        | Aluminium           |
| Pilot piston:      | Aluminium / Nitrile |
| Exhaust piston:    | Brass / Nitrile     |
| Electronic cover:  | Zinc                |

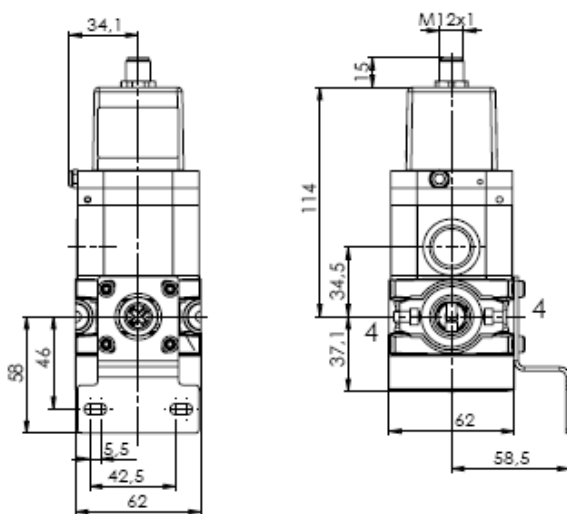
**Connection diagram**



**Connector M12 x 1**

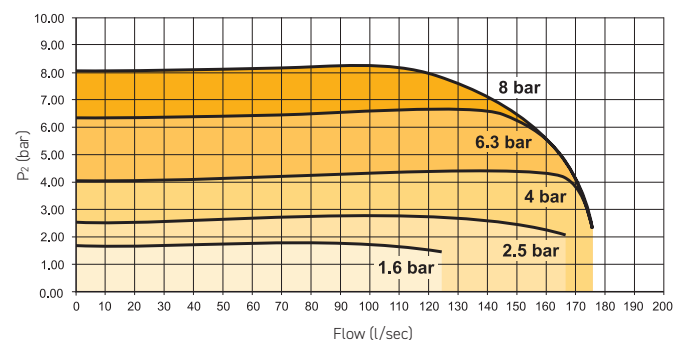
- Pin 1:**  
Power supply  
Plus +24 V DC ± 10%  
0.15 A  
Residual ripple 10%
- Pin 2:**  
Power supply 0 V  
Reference and mass capacity  
for set value and actual value
- Pin 3:**  
Set value input  
0 - 10 V
- Pin 4:**  
0 V set signal  
(connected on board  
with pin 2 as standard)
- Pin 5:**  
Analogue actual value output  
0 - 10 V  
Tolerance ± 0.15 V

**Dimensions (mm)**



- \* Two opposite gauge ports G1/4, plug screw mounted
- \*\* Connection for 5-pin plug M12 x 1
- \*\*\* Exhaust port 1/2"

**Flow characteristics**





**Technical Information**

|  |  |
|--|--|
| Fluid:   | Compressed air   |
| Maximum pressure Solenoid operated 22mm coil:                    | 10 bar   |
| Maximum pressure Solenoid operated 30mm coil:                    | 16 bar   |
| Minimum operating pressure:                                      | 2 bar  |
| Temperature range* Solenoid operated:                            | -10° to + 60° C  |
| Temperature range* Air Pilot operated:                           | -10° to + 60° C  |
| Air Pilot port:  | 1/8 BSP  |
| Exhaust port:  | 1/2 BSP  |
| Gauge port:  | 1/4 BSP  |
| Typical flow with 6.3bar inlet pressure and 1 bar pressure drop: | 1/2" 80 dm <sup>3</sup> /s<br>3/4" 80 dm <sup>3</sup> /s |

\* Air supply must be dry enough to avoid ice formation at temperatures below +2°C  
 Snap pressure: Full flow when downstream pressure reaches 50% of the inlet pressure

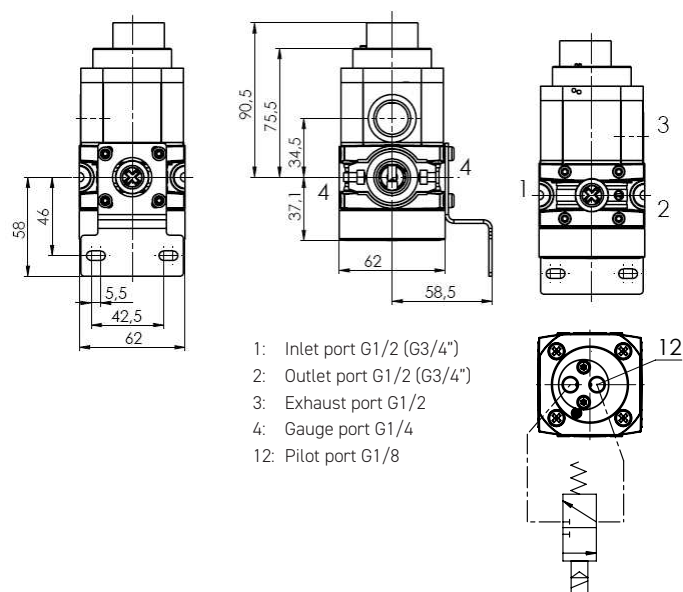
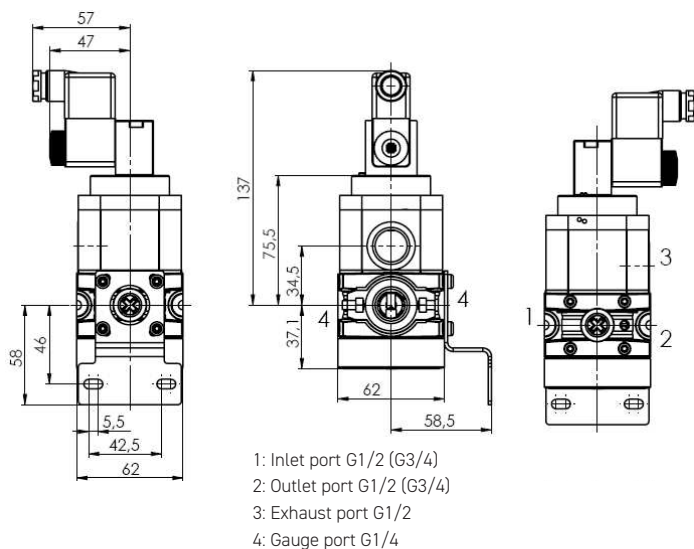
**Material Specification**

|                      |                       |
|----------------------|-----------------------|
| Body:                | Aluminium             |
| Body cover:          | ABS                   |
| Valve:               | Brass / NBR composite |
| Pilot valve booster: | Aluminium             |
| Seals:               | Nitrile NBR           |

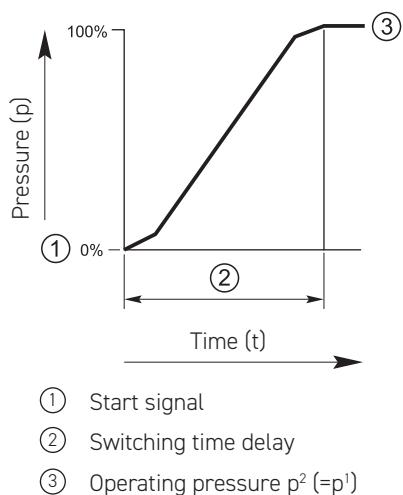
**Solenoid coils**

For Solenoid coil information refer to Solenoid Coils section.

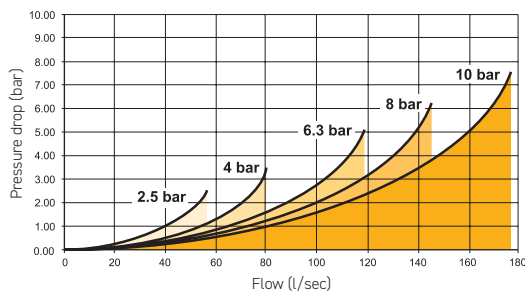
**Dimensions (mm)**



**Flow characteristics**

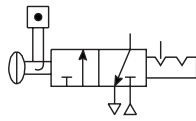


**Soft Start Dump Valve 24v 1/2" Port**



**Modular Slide Valves**

**Symbol**



- Padlockable.
- When the inlet pressure is turned off the downstream vents through the exhaust port.

P3X Series Slide Valves provide shut off line pressure to prevent unauthorised adjustment.

**Options:**

|              |           |          |          |            |
|--------------|-----------|----------|----------|------------|
| <b>P 3 X</b> | <b>VA</b> | <b>1</b> |          | <b>LSN</b> |
| BSP (G)      | <b>1</b>  | G1/2     | <b>4</b> |            |
| NPT *        |           | G3/4     | <b>6</b> |            |

\*1/2" NPT see Accessories

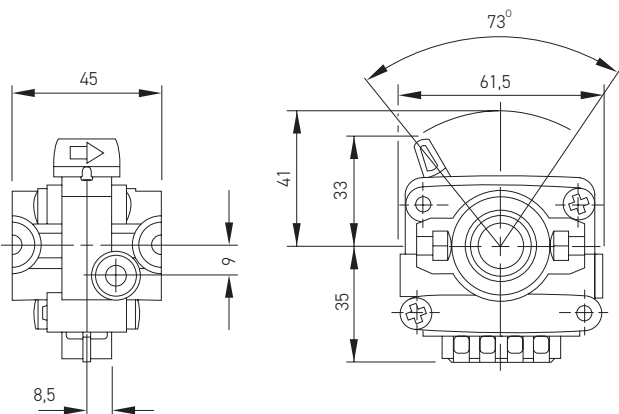
**Technical Information**

|                          |                |
|--------------------------|----------------|
| Operating Temperature:   | -10°C to +60°C |
| Maximum Supply Pressure: | 16 bar         |
| Weight (g):              | G1/2" 300g     |
|                          | G3/4" 300g     |

**Material specification:**

|                  |                   |
|------------------|-------------------|
| Body:            | High tech polymer |
| Handle:          | Polyamide         |
| Seals:           | Nitrile NBR       |
| Exhaust muffler: | Sintered bronze   |

**Dimensions (mm)**



**Modular Manifolds**



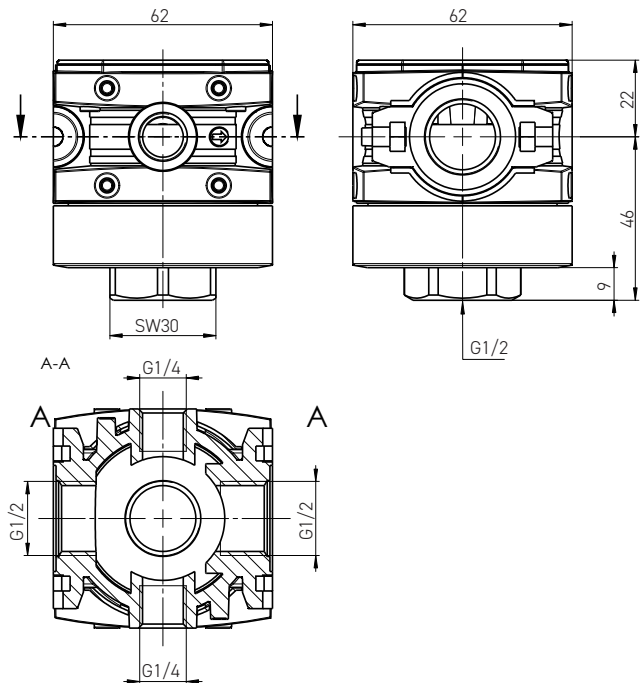
P3X Series Manifolds, provide up to 2 extra outlet ports, they may be assembled at any position in a combination e.g. before the lubricator to provide oil free take off or at the end of a combination to provide extra outlet ports.

| Description | Order code<br>BSP | Weight (g) |
|-------------|-------------------|------------|
| G1/2"       | <b>P3XMA1V0N</b>  | 170        |
| G3/4"       | <b>P3XMA160N</b>  | 170        |

**Material specification:**

|                 |                   |
|-----------------|-------------------|
| Body:           | High tech polymer |
| Manifold Cover: | ABS               |

**Dimensions (mm)**



| Inlet port | Bottom | Front and Back |
|------------|--------|----------------|
| 1/2        | 1/2"   | 1/4"           |
| 3/4        | 3/4"   | 1/4"           |

### Solenoid coils with Din A or Industrial B connection

| Voltage              | 30mm x 30mm<br>Order code DIN A<br>Standard | Weight (Kg) | 22mm x 30mm<br>Order code Industrial B<br>standard | Weight (Kg) |
|----------------------|---|-------------|--|-------------|
| Direct current       |   |             |  |             |
| 12V DC               | <b>P2FCA445</b>                             | 0.105       | <b>P2FCB445</b>                                    | 0.093       |
| 24V DC               | <b>P2FCA449</b>                             | 0.105       | <b>P2FCB449</b>                                    | 0.093       |
| 48V DC               | <b>P2FCA453*</b>                            | 0.105       | <b>P2FCB451</b>                                    | 0.093       |
| Alternative current  |   |             |  |             |
| 12V 50/60Hz          | <b>P2FCA440</b>                             | 0.105       | <b>P2FCB440</b>                                    | 0.093       |
| 24V 50/60Hz          | <b>P2FCA442</b>                             | 0.105       | <b>P2FCB442</b>                                    | 0.093       |
| 48V 50/60Hz          | <b>P2FCA469#</b>                            | 0.105       |  |             |
| 110V 50Hz, 120V 60Hz | <b>P2FCA453</b>                             | 0.105       | <b>P2FCB453</b>                                    | 0.093       |
| 230V 50Hz, 230V 60Hz | <b>P2FCA457</b>                             | 0.105       | <b>P2FCB457</b>                                    | 0.093       |








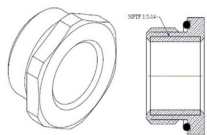
\* P2FCA453 is compatible with 110 V AC and 48 V DC

# P2FCA469 is 24 V DC 6.8W or 48 V 50Hz 9.9 VA

### Solenoid coils with M12 connection

| Voltage        | Order code Form A<br>30 x 30 | Weight (Kg) | Order code Form B<br>22 x 30 | Weight (Kg) |
|----------------|------------------------------|-------------|------------------------------|-------------|
| Direct current |                              |             |                              |             |
| 24V DC         | <b>P2FC6419</b>              | 0.065       | <b>P2FC7419</b>              | 0.065       |

**Accessories**

| Description   | Connection                 | Weight       | Order code (g) |                                      |   |
|---|----------------------------|--------------|----------------|--------------------------------------|---|
| Panel mounting nut  |                            |              | 10             | <b>P3XKA00MM</b>                     |    |
| Stainless steel - Wall bracket kit  |                            |              | 80             | <b>P3XKA00MW</b>                     |    |
| P3X connecting kit  |                            |              | 10             | <b>P3XKA00CB</b>                     |    |
| Lubricator Oil  | VG15 : ISO 3448 - 100ml    |              | 100            | <b>P3XKA00PPA</b>                    |    |
| Pressure gauge  | 0 to 10 bar<br>0 to 16 bar | 1/4"<br>1/4" | 60<br>60       | <b>KG8012-00</b><br><b>KG8013-00</b> |  |
| Connector O-ring kit  | Qty: 5                     |              |                | <b>P3XKA04CY</b>                     |  |
| Regulator & Filter/Regulator - Key Lock Kit   |                            |              | 0.05           | <b>P3XKA00AS</b>                     |  |
| Kit to convert 3/4" BSP to 1/2" NPT air ports<br>(2 O-Rings with 2 Adaptors). Body width 72 mm instead of 70 mm |                            |              |                | <b>P3XKA00CA</b>                     |  |









# Parker Worldwide

## Europe, Middle East, Africa

**AE – United Arab Emirates**, Dubai  
Tel: +971 4 8127100  
parker.me@parker.com

**AT – Austria**, St. Florian  
Tel: +43 (0)7224 66201  
parker.austria@parker.com

**AZ – Azerbaijan**, Baku  
Tel: +994 50 2233 458  
parker.azerbaijan@parker.com

**BE/NL/LU – Benelux**,  
Hendrik Ido Ambacht  
Tel: +32 (0)0541 585 000  
parker.nl@parker.com

**BG – Bulgaria**, Sofia  
Tel: +359 2 980 1344  
parker.bulgaria@parker.com

**BY – Belarus**, Minsk  
Tel: +48 (0)22 573 24 00  
parker.poland@parker.com

**CH – Switzerland**, Etoy  
Tel: +41 (0)21 821 87 00  
parker.switzerland@parker.com

**CZ – Czech Republic**, Klecany  
Tel: +420 284 083 111  
parker.czechrepublic@parker.com

**DE – Germany**, Kaarst  
Tel: +49 (0)2131 4016 0  
parker.germany@parker.com

**DK – Denmark**, Ballerup  
Tel: +45 43 56 04 00  
parker.denmark@parker.com

**ES – Spain**, Madrid  
Tel: +34 902 330 001  
parker.spain@parker.com

**FI – Finland**, Vantaa  
Tel: +358 (0)20 753 2500  
parker.finland@parker.com

**FR – France**, Contamine s/Arve  
Tel: +33 (0)4 50 25 80 25  
parker.france@parker.com

**GR – Greece**, Piraeus  
Tel: +30 210 933 6450  
parker.greece@parker.com

**HU – Hungary**, Budaors  
Tel: +36 23 885 470  
parker.hungary@parker.com

**IE – Ireland**, Dublin  
Tel: +353 (0)1 466 6370  
parker.ireland@parker.com

**IL – Israel**  
Tel: +39 02 45 19 21  
parker.israel@parker.com

**IT – Italy**, Corsico (MI)  
Tel: +39 02 45 19 21  
parker.italy@parker.com

**KZ – Kazakhstan**, Almaty  
Tel: +7 7273 561 000  
parker.easteurope@parker.com

**NO – Norway**, Asker  
Tel: +47 66 75 34 00  
parker.norway@parker.com

**PL – Poland**, Warsaw  
Tel: +48 (0)22 573 24 00  
parker.poland@parker.com

**PT – Portugal**, Leca da Palmeira  
Tel: +351 22 999 7360  
parker.portugal@parker.com

**RO – Romania**, Bucharest  
Tel: +40 21 252 1382  
parker.romania@parker.com

**RU – Russia**, Moscow  
Tel: +7 495 645-2156  
parker.russia@parker.com

**SE – Sweden**, Spånga  
Tel: +46 (0)8 59 79 50 00  
parker.sweden@parker.com

**SK – Slovakia**, Banská Bystrica  
Tel: +421 484 162 252  
parker.slovakia@parker.com

**SL – Slovenia**, Novo Mesto  
Tel: +386 7 337 6650  
parker.slovenia@parker.com

**TR – Turkey**, Istanbul  
Tel: +90 216 4997081  
parker.turkey@parker.com

**UA – Ukraine**, Kiev  
Tel: +48 (0) 22 572 24 00  
parker.poland@parker.com

**UK – United Kingdom**, Warwick  
Tel: +44 (0)1926 317 878  
parker.uk@parker.com

**ZA – South Africa**, Kempton Park  
Tel: +27 (0)11 961 0700  
parker.southafrica@parker.com

## North America

**CA – Canada**, Milton, Ontario  
Tel: +1 905 693 3000

**US – USA**, Cleveland  
Tel: +1 216 896 3000

## Asia Pacific

**AU – Australia**, Castle Hill  
Tel: +61 (0)2-9634 7777

**CN – China**, Shanghai  
Tel: +86 21 2899 5000

**HK – Hong Kong**  
Tel: +852 2428 8008

**IN – India**, Mumbai  
Tel: +91 22 6513 7081-85

**JP – Japan**, Tokyo  
Tel: +81 (0)3 6408 3901

**KR – South Korea**, Seoul  
Tel: +82 2 559 0400

**MY – Malaysia**, Shah Alam  
Tel: +60 3 7849 0800

**NZ – New Zealand**, Mt Wellington  
Tel: +64 9 574 1744

**SG – Singapore**  
Tel: +65 6887 6300

**TH – Thailand**, Bangkok  
Tel: +662 186 7000

**TW – Taiwan**, Taipei  
Tel: +886 2 2298 8987

## South America

**AR – Argentina**, Buenos Aires  
Tel: +54 3327 44 4129

**BR – Brazil**, Sao Jose dos Campos  
Tel: +55 800 727 5374

**CL – Chile**, Santiago  
Tel: +56 2 623 1216

**MX – Mexico**, Toluca  
Tel: +52 72 2275 4200

European Product Information Centre

Free phone: 00 800 27 27 5374

(from AT, BE, CH, CZ, DE, DK, EE, ES, FI, FR, IE,  
IL, IS, IT, LU, MT, NL, NO, PL, PT, RU, SE, SK,  
UK, ZA)

**Parker Hannifin Ltd.**  
Tachbrook Park Drive  
Tachbrook Park,  
Warwick, CV34 6TU  
United Kingdom  
Tel.: +44 (0) 1926 317 878  
Fax: +44 (0) 1926 317 855  
parker.uk@parker.com  
www.parker.com

