

This product compliance with RoHS.

Fig.1

Dimension

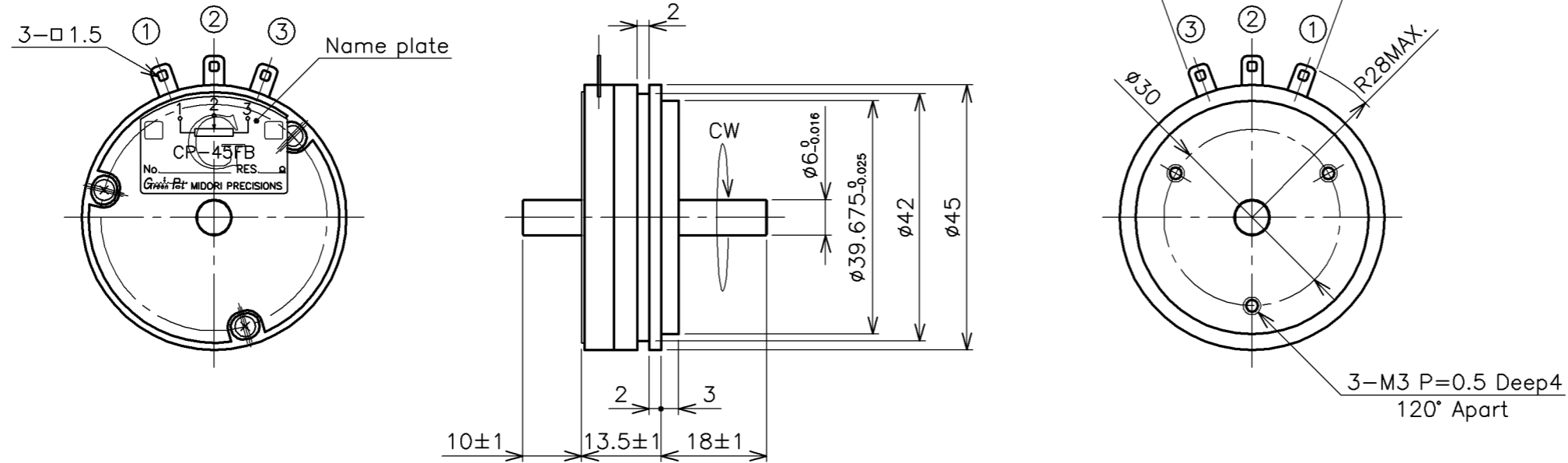
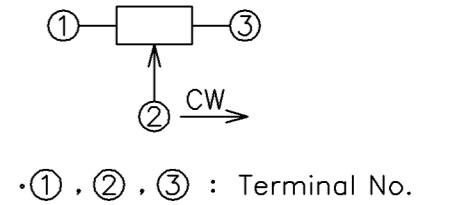


Fig.2

Schematics



Specifications

Effective electrical travel	:	350° ±3°
Total resistance	:	1 · 2 · 5 · 10kΩ ±15% [Option: 0.5 · 20kΩ ±15%]
Independent linearity	:	±0.1%
Rated dissipation	:	3W/+70℃
Output smoothness	:	0.1% MAX.
Insulation resistance	:	100MΩ MIN. DC1000V
Dielectric strength	:	AC1000V 1 minute
Temperature coefficient of resistance	:	±400ppm/K
Total mechanical travel	:	360° Endless
torque	:	1.8mN · m MAX.
Mass	:	Approx. 51g
Operating temperature range	:	-40~+120℃
Dimension	:	See Fig.1
Schematics	:	See Fig.2

Radial load	:	6N MAX.
Thrust load	:	2N MAX.
Vibration	:	200m/s ² , 2000Hz 3axis 2hours.
Shock	:	600m/s ² , 11ms 6directions 3times.
Life cycle	:	50Million MIN. shaft revolutions

(The life cycles shall be defined by reaching one of any following specifications on the conditions of 60~400rpm constant cycles under room temperature, room humidity and no mechanical load.)

- Variation of total resistance value... by 10% of initial value.
- Independent linearity... by 1.5 times of standard value.
- Output smoothness... by 1.5 times of standard value.
- torque... by 1.5 times of standard value.

SPECIFICATION DRAWING				CUSTOMER/SPEC. NO.	
MODEL: CP-45FB					
APPROVED	T.Yamazaki	TOLERANCE	DATE	4. 8. 2019	
CHECKED	T.Yamazaki	≤ 10 ±0.25	SCALE	1 : 1	
DRAWN	k.Yoshino	10 < ≤ 100 ±0.5	DRAWING PRACTICE	MIDORI PRECISIONS CO., LTD.	
		100 < ±1.0		DRAWING NO.	REV.
		ANGLE ±1.5°		A-MPF-B39	0

△					
REV.	DATE	DESCRIPTION	APPROVED	CHECKED	DRAWN