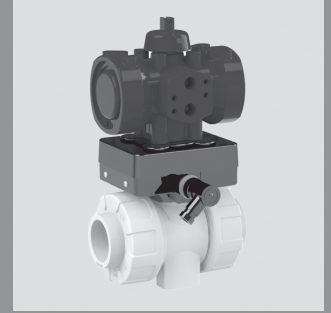
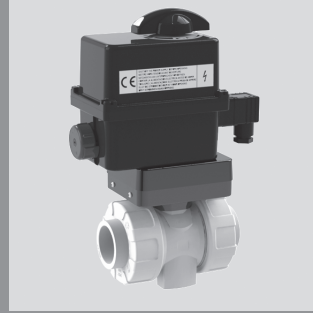
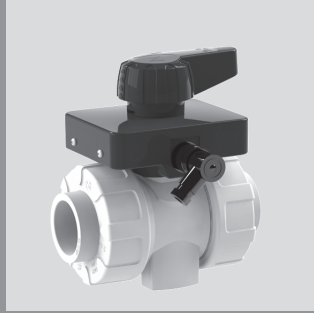


## Ball Valve C 200



### Benefits

- High-end industrial valve
- Flexible toolbox with a broad range of product varieties
- Reliable material combination for safe handling of critical media
- Newly designed ergonomic handle with the locking function „safety guard“
- Intelligent accessory and interface for the integration of the limit switch box and actuators
- Integrated moulded bracket

### Application

- chemical and industrial plants

### Intended Use

- for shutting off pipeline systems

### Application Media

- Neutral and aggressive fluid or gaseous media free of solid particles, provided that the valve components coming into contact with the media are resistant at the operating temperature in accordance with the ASV-resistance guide.

### Testing

- Requirements and tests/inspections according to DIN EN ISO 16135 and ISO 9393. DIN EN 12266, leakage rate A tested.

### Nominal Pressure (H<sub>2</sub>O, 20°C)

- PN 10 - PN 16

### Fluid Temperature

- see pressure-/temperature diagram

### Operating Pressure

- see pressure-/temperature diagram

### Size

- DN 10 - DN 50

### Body

- PVC-U
- PP
- PVDF

### Stem

- PVC-U
- PVDF
- PP, fiberglass-reinforced

### Ball

- PVC-U
- PP
- PVDF

### Ball Seat

- PTFE

### Sealing

- FPM
- EPDM

### Actuation

- with lockable hand lever for the "OPEN" or "CLOSED" position.
- with electric actuator, DIN EN ISO 5211
- with pneumatic actuator, DIN EN ISO 5211

### Connection

- union featuring a connection thread suitable for plastic materials
- refer comments on the identification numbers

### Mounting Position

- as required;
- electric drives may not be installed upside down

### Fastening

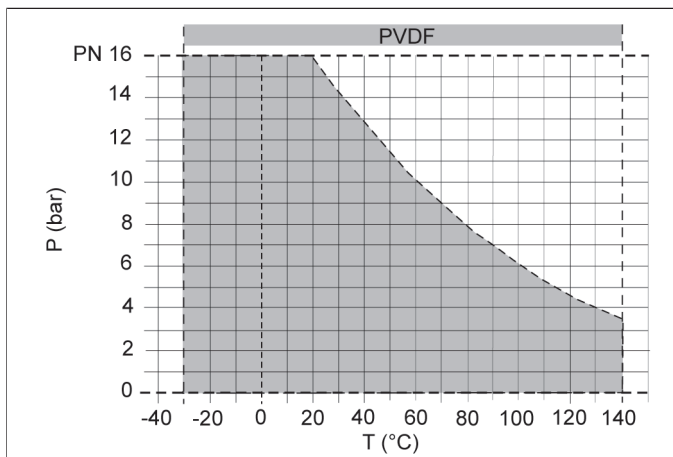
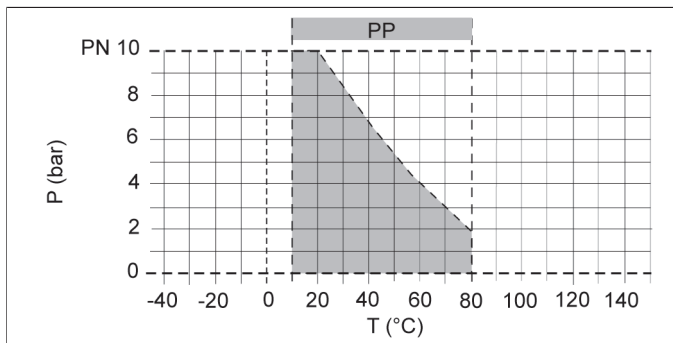
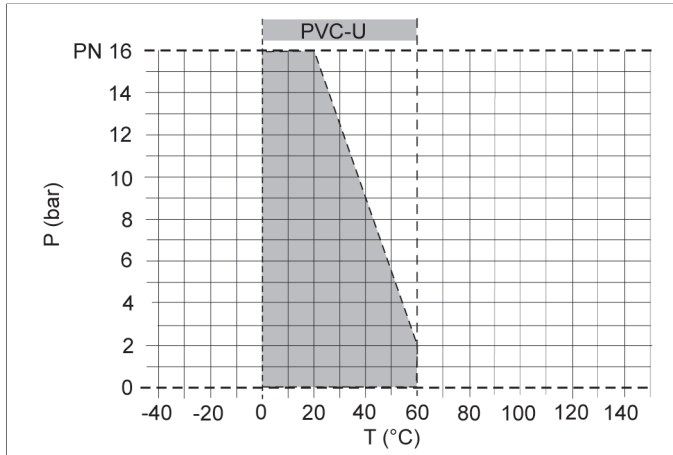
- via mounting base with integrated fixing threads

### Colour

- body: PP, grey, RAL 7032
- hand lever: ABS, black RAL 9005
- lever inlay: ABS, orange, RAL 2004

## Ball Valve C 200

### Pressure/temperature diagram



$P$  = operating pressure

$T$  = temperature

The pressure/temperature limits are applicable for the stated nominal pressures and a computed operating life factor of 25 years. These are standard values for harmless media (DIN 2403), to which the valve material is resistant.

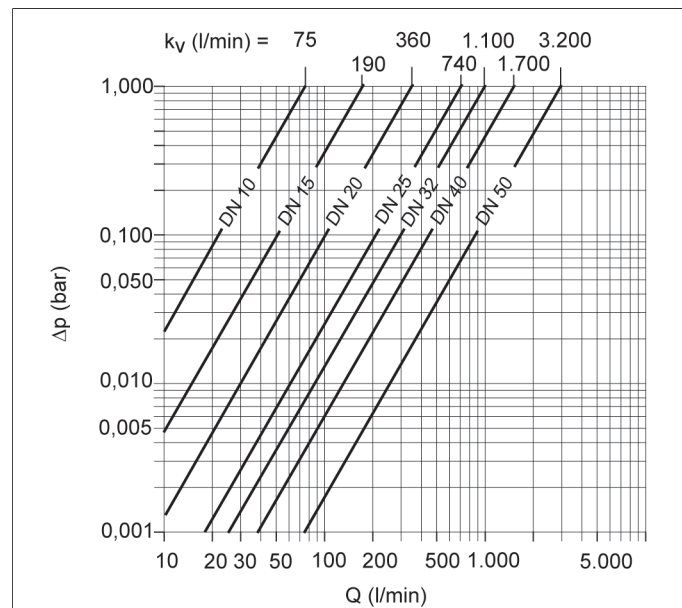
For other media please refer to the ASV resistance guide.

The durability of wear parts depends on the operating conditions of the application.

For temperatures below 0°C (PP < +10°C) please specify the precise operating conditions of the application.

The rated pressure depends on the valve size and material. For the corresponding rated pressure value of the valve, please refer to the »Order table«.

### Pressure loss curve (standard values for H<sub>2</sub>O, 20°C)



$\Delta P$  = pressure loss

$Q$  = flow

#### pressure loss and $k_v$ value

The diagram shows the pressure loss  $\Delta P$  in relation to the flow  $Q$ .

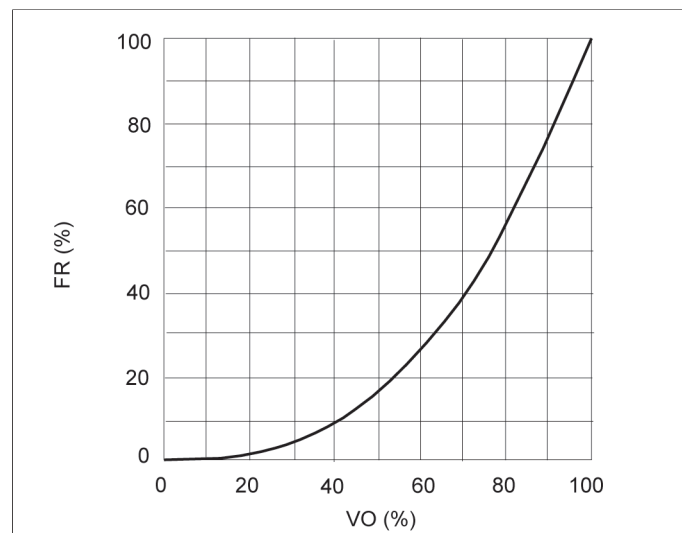
#### Conversion aid:

$$c_v = k_v \times 0.07; f_v = k_v \times 0.0585$$

#### Units:

$k_v$  [l/min];  $c_v$  [gal/min] US;  $f_v$  [gal/min] GB

### Flow characteristic

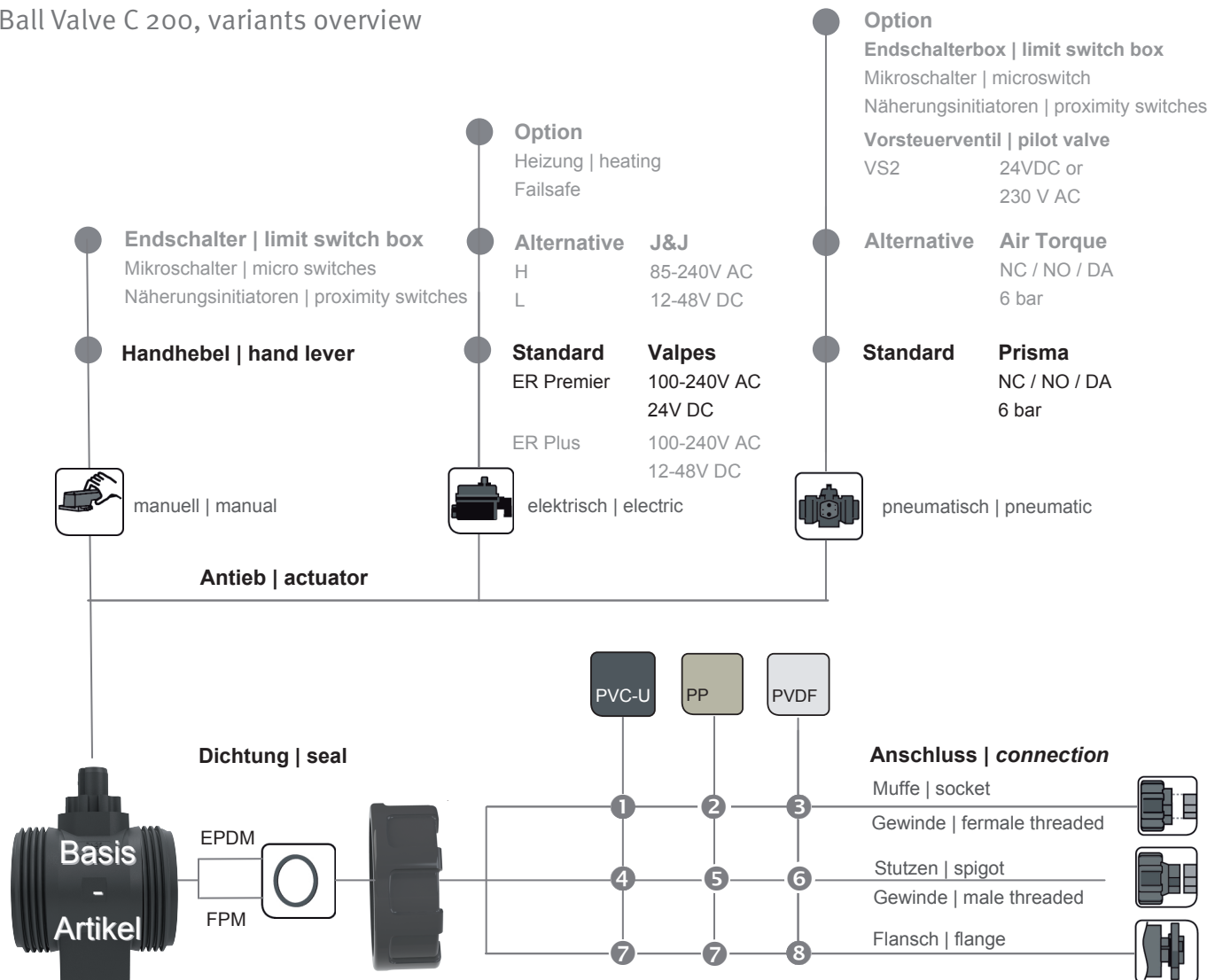


$VO$  = valve opening

$FR = K_v \text{ value}$

# Ball Valve C 200

## Kugelhahn C 200, Variantenübersicht Ball Valve C 200, variants overview



Kugel | ball: standard

Reinigung | cleaning: on request

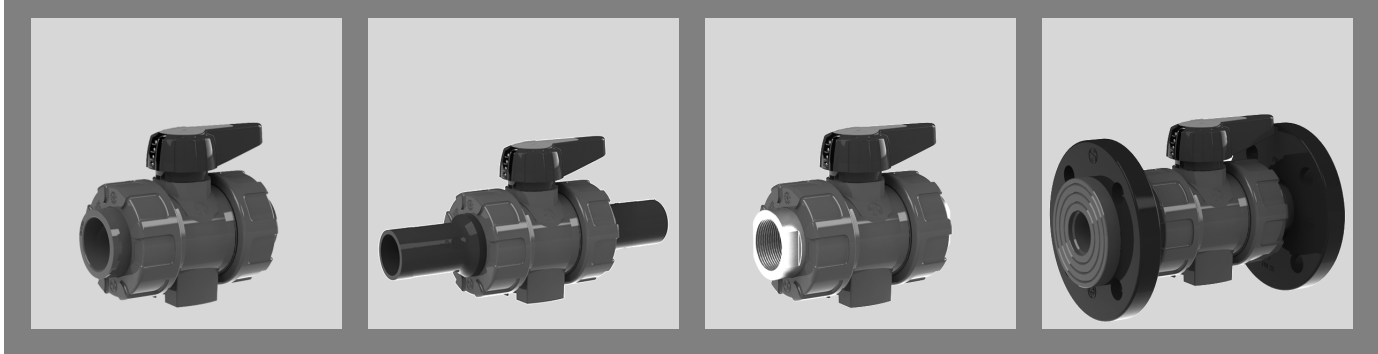
### Legende | declaration

<b>PVC-U:</b>	<b>1</b> socket DIN* socket ANSI socket BS socket JIS female threaded Rp	<b>PP:</b>	<b>2</b> socket DIN* female threaded Rp	<b>PVDF:</b>	<b>3</b> socket DIN*
	<b>4</b> PE spigot (95 mm) 1.4571 (A4) female threaded Rp male threaded R 2.0401 (Ms) female threaded Rp male threaded R		<b>5</b> PP spigot IR PE spigot (95 mm)		<b>6</b> PVDF socket IR
	<b>7</b> GFR flange DIN PP/St. flange ANSI		<b>7</b> GFR flange DIN PP/St. flange ANSI		<b>8</b> PP/St. flange DIN PPTSt. flange ANSI

Standard: in dem Datenblatt abgebildet / displayed in the datasheet  
weitere lieferbare Ausführungen / further available designs

\* inkl. DN 10

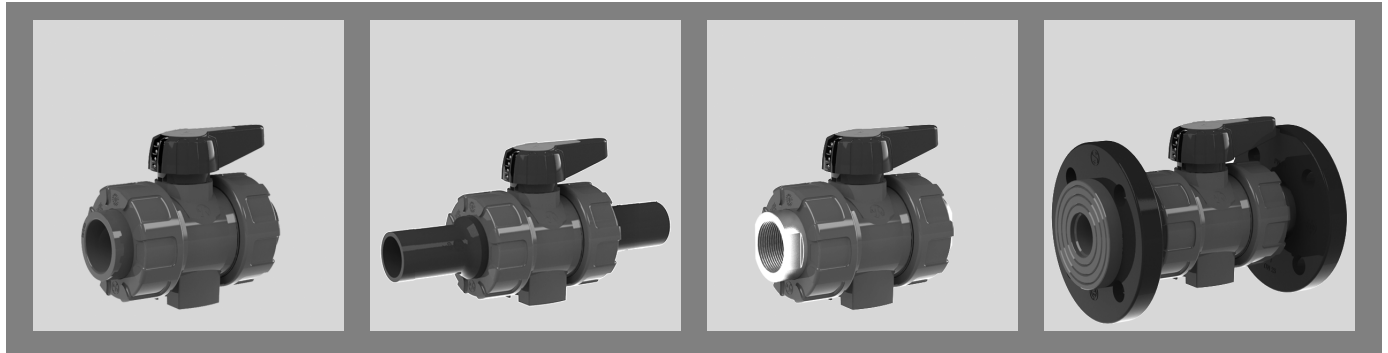
## Ball Valve C 200, manually



### body PVC-U

<i>size</i>	d(mm)	16	20	25	32	40	50	63	
<i>pressure range</i>	DN(mm)	10	15	20	25	32	40	50	
	DN(inch)	3/8	1/2	3/4	1	1 1/4	1 1/2	2	
	PN(bar)	16	16	16	16	16	16	16	
<i>Connection</i>	<i>Ball seat</i>	<i>sealing</i>	<i>ident No.</i>						
PVC-U socket DIN	PTFE	EPDM	145780	145781	145782	145783	145784	145785	145786
	PTFE	FPM	145851	145852	145853	145854	145855	145856	145857
	<i>weight</i>		0.14 kg	0.16 kg	0.24 kg	0.37 kg	0.66 kg	0.90 kg	1.64 kg
PVC-U socket ANSI	PTFE	EPDM		145795	145796	145797	145798	145799	145800
	PTFE	FPM		145866	145867	145868	145869	145870	145871
	<i>weight</i>			0.16 kg	0.24 kg	0.37 kg	0.65 kg	0.91 kg	1.64 kg
PVC-U female thread Rp	PTFE	EPDM		145788	145789	145790	145791	145792	145793
	PTFE	FPM		145859	145860	145861	145862	145863	145864
	<i>weight</i>			0.17 kg	0.26 kg	0.40 kg	0.69 kg	0.97 kg	1.77 kg
PE spigot DIN	PTFE	EPDM		145816	145817	145818	145819	145820	145821
	PTFE	FPM		145887	145888	145889	145890	145891	145892
	<i>weight</i>			0.17 kg	0.25 kg	0.39 kg	0.69 kg	0.95 kg	1.69 kg
GFR (DIN) flange DIN	PTFE	EPDM		145837	145838	145839	145840	145841	145842
	PTFE	FPM		145908	145909	145910	145911	145912	145913
	<i>weight</i>			0.39 kg	0.57 kg	0.80 kg	1.40 kg	1.79 kg	2.88 kg
PP/steel (ANSI) flange ANSI	PTFE	EPDM		145844	145845	145846	145847	145848	145849
	PTFE	FPM		145915	145916	145917	145918	145919	145920
	<i>weight</i>			0.60 kg	0.89 kg	1.25 kg	1.79 kg	2.32 kg	3.65 kg

## Ball Valve C 200, manually



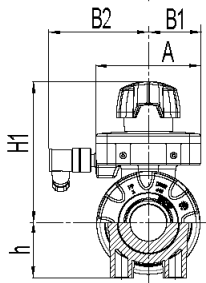
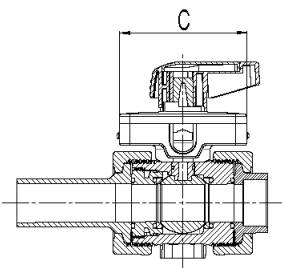
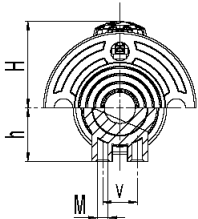
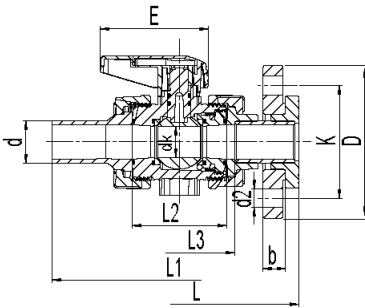
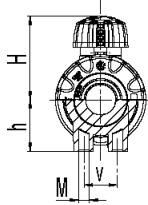
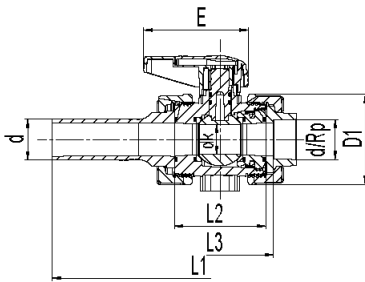
### body PP

size	d(mm)								
	16	20	25	32	40	50	63		
pressure range	DN(mm)								
	10	15	20	25	32	40	50		
	DN(inch)								
	3/8	1/2	3/4	1	1 1/4	1 1/2	2		
	PN(bar)								
	10	10	10	10	10	10	10		
Connection	Ball seat	sealing	ident No.						
PP socket DIN	PTFE	EPDM	144994	144995	144996	144997	144998	144999	145000
	PTFE	FPM	145002	145003	145004	145005	145006	145007	145008
			0.12 kg	0.12 kg	0.18 kg	0.27 kg	0.49 kg	0.66 kg	1.21 kg
PP spigot DIN	PTFE	EPDM		144980	144981	144982	144983	144984	144985
	PTFE	FPM		144987	144988	144989	144990	144991	144992
				0.12 kg	0.19 kg	0.28 kg	0.50 kg	0.54 kg	1.26 kg
PE spigot DIN	PTFE	EPDM	145200	145201	145202	145203	145204	145205	
	PTFE	FPM	145210	145211	145212	145213	145214	145215	
			0.13 kg	0.20 kg	0.31 kg	0.54 kg	0.74 kg	1.34 kg	
GFR (DIN) flange DIN	PTFE	EPDM	145544	145545	145546	145547	145548	145549	
	PTFE	FPM	145551	145552	145553	145554	145555	145556	
			weight	0.37 kg	0.56 kg	0.78 kg	1.38 kg	1.69 kg	2.78 kg
PP/steel (ANSI) flange ANSI	PTFE	EPDM	145558	145559	145560	145561	145562	145563	
	PTFE	FPM	145565	145566	145567	145568	145569	145570	
			weight	0.54 kg	0.83 kg	1.14 kg	1.60 kg	2.03 kg	3.12 kg

### body PVDF

size	d(mm)								
	16	20	25	32	40	50	63		
pressure range	DN(mm)								
	10	15	20	25	32	40	50		
	DN(inch)								
	3/8	1/2	3/4	1	1 1/4	1 1/2	2		
	PN(bar)								
	16	16	16	16	16	16	16		
Connection	Ball seat	sealing	ident No.						
PVDF socket DIN	PTFE	FPM	146189	146190	146191	146192	146193	146194	146195
			weight	0.20 kg	0.20 kg	0.31 kg	0.48 kg	0.85 kg	1.17 kg
PVDF spigot DIN	PTFE	FPM		146197	146198	146199	146200	146201	146202
				weight	0.20 kg	0.32 kg	0.49 kg	0.86 kg	1.19 kg
PP / steel flange DIN	PTFE	FPM		146204	146205	146206	146207	146208	146209
				weight	0.77 kg	1.08 kg	1.60 kg	2.53 kg	3.08 kg
PP/steel (ANSI) flange ANSI	PTFE	FPM		146211	146212	146213	146214	146215	146216
				weight	0.66 kg	1.00 kg	1.42 kg	2.04 kg	2.65 kg

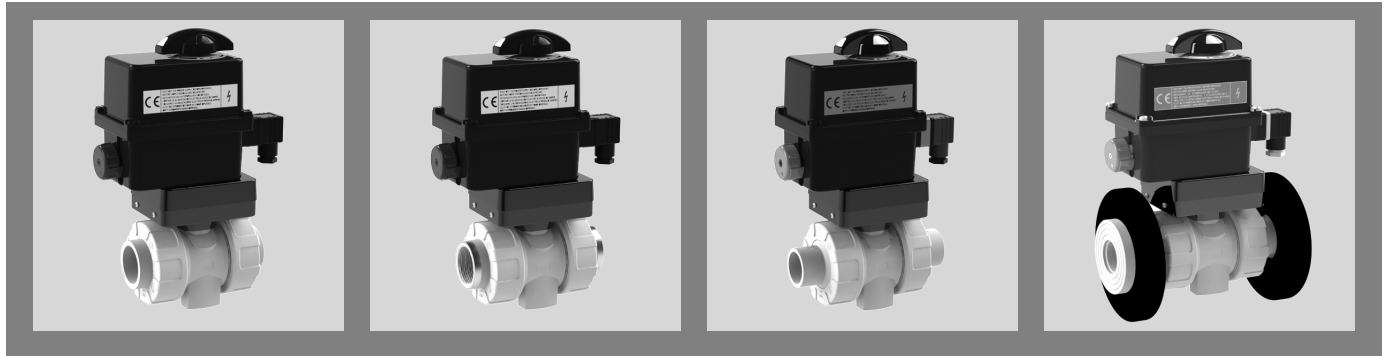
# Ball Valve C 200, manually



## dimensions

d(mm)	16	20	25	32	40	50	63
DN(mm)	10	15	20	25	32	40	50
DN(inch)	3/8	1/2	3/4	1	1 1/4	1 1/2	2
dimensions(mm)							
Rp	-	1/2	3/4	1	1 1/4	1 1/2	2
A	72	72	77	77	89	89	92.5
GFR (DIN)/PP / steel	b	-	12	14	15	17	18
PP/steel (ANSI)	b	-	13	14	16	18	19
B1	36	36	38	38	44.5	44.5	46
B2	75	75	78	78	82.5	82.5	84
C	87	87	92	92	108	108	112.5
GFR (DIN)/PP / steel	d2	-	14	14	14	18	18
PP/steel (ANSI)	d2	-	16	16	16	16	20
GFR (DIN)/PP / steel	D	-	95	105	115	140	165
PP/steel (ANSI)	D	-	95	105	113	130	160
D1	50	50	59	70	86	100	125.5
E	66	66	81	81.5	91.5	91.5	143
h	27	27	30	40	46	55	70
H	48	48	56.5	65	65	89.5	115
H1	63.5	63.5	69	77	86.5	92.5	108
GFR (DIN)/PP / steel	K	-	65	75	85	100	110
PP/steel (ANSI)	K	-	60	70	80	89	98
L	-	150	170	180	210	230	278
L1 (PE-spigot)	-	236.5	245	251	265	269	281
L1 (PVDF-spigot)	-	131	143.5	153	172	192	222
L1 (PP-spigot)	-	131	143.5	153	172	192	222
PP/PVDF	L2	56.5	56.5	65	71	85	101
PVC-U	L2	56	56	65	71	85	101
PP	L3	68	68	72	84	100	118
PVC-U	L3	64	63	72	79	94	108
PVDF	L3	67.5	67.5	77	83	99.5	118
M	M 5	M 5	M 5	M 6	M 8	M 8	M 8
V	25,0	25,0	25,0	26	45	45	45

# Ball Valve C 200, electric, ER Premier



### Voltage

- please refer to the technical data
- further drive variants and options on request

### Mounting Set

- ASA (acrylate styrene acrylonitrile)

### Coupling

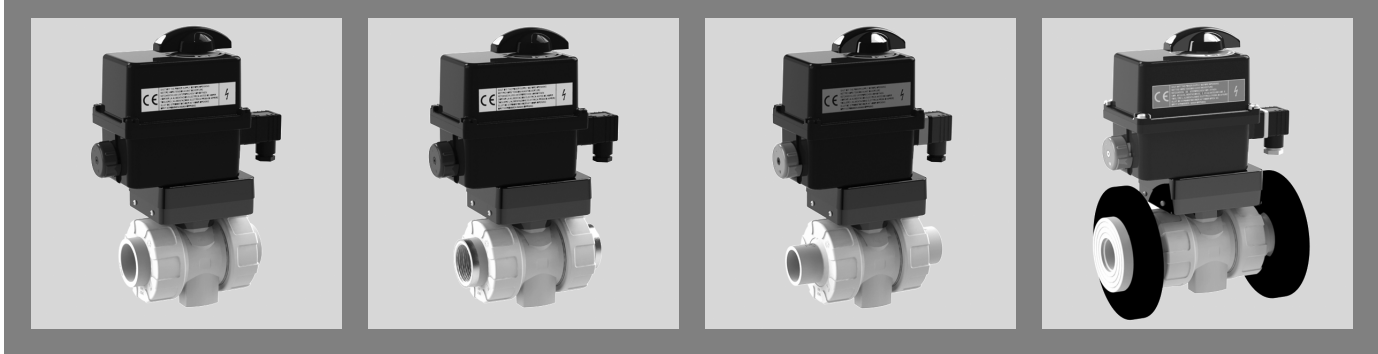
- PA, glass fibre reinforced

### Screws

- stainless steel (1.4301)

variant 100-240V AC		body PVC-U							
size	d(mm)	16	20	25	32	40	50	63	
pressure range	DN(mm)	10	15	20	25	32	40	50	
	DN(inch)	3/8	1/2	3/4	1	1 1/4	1 1/2	2	
	PN(bar)	16	16	16	16	16	16	16	
Connection	Ball seat	sealing	ident No.						
PVC-U socket DIN	PTFE	EPDM	1457805500	1457815500	1457825500	1457835500	1457845500	1457855500	1457865500
	PTFE	FPM	1458515500	1458525500	1458535500	1458545500	1458555500	1458565500	1458575500
	weight		1.28 kg	1.30 kg	1.42 kg	1.56 kg	1.90 kg	2.14 kg	2.94 kg
PVC-U socket ANSI	PTFE	EPDM		1457955500	1457965500	1457975500	1457985500	1457995500	1458005500
	PTFE	FPM		1458665500	1458675500	1458685500	1458695500	1458705500	1458715500
	weight			1.30 kg	1.42 kg	1.56 kg	1.89 kg	2.15 kg	2.94 kg
PVC-U female thread Rp	PTFE	EPDM		1457885500	1457895500	1457905500	1457915500	1457925500	1457935500
	PTFE	FPM		1458595500	1458605500	1458615500	1458625500	1458635500	1458645500
	weight			1.31 kg	1.44 kg	1.58 kg	1.93 kg	2.21 kg	3.06 kg
PE spigot DIN	PTFE	EPDM		1458165500	1458175500	1458185500	1458195500	1458205500	1458215500
	PTFE	FPM		1458875500	1458885500	1458895500	1458905500	1458915500	1458925500
	weight			1.31 kg	1.44 kg	1.58 kg	1.93 kg	2.19 kg	2.99 kg
GFR (DIN) flange DIN	PTFE	EPDM		1458375500	1458385500	1458395500	1458405500	1458415500	1458425500
	PTFE	FPM		1459085500	1459095500	1459105500	1459115500	1459125500	1459135500
	weight			1.53 kg	1.75 kg	1.98 kg	2.64 kg	3.03 kg	4.18 kg
PP/steel (ANSI) flange ANSI	PTFE	EPDM		1458445500	1458455500	1458465500	1458475500	1458485500	1458495500
	PTFE	FPM		1459155500	1459165500	1459175500	1459185500	1459195500	1459205500
	weight			1.74 kg	2.07 kg	2.43 kg	3.03 kg	3.56 kg	4.94 kg

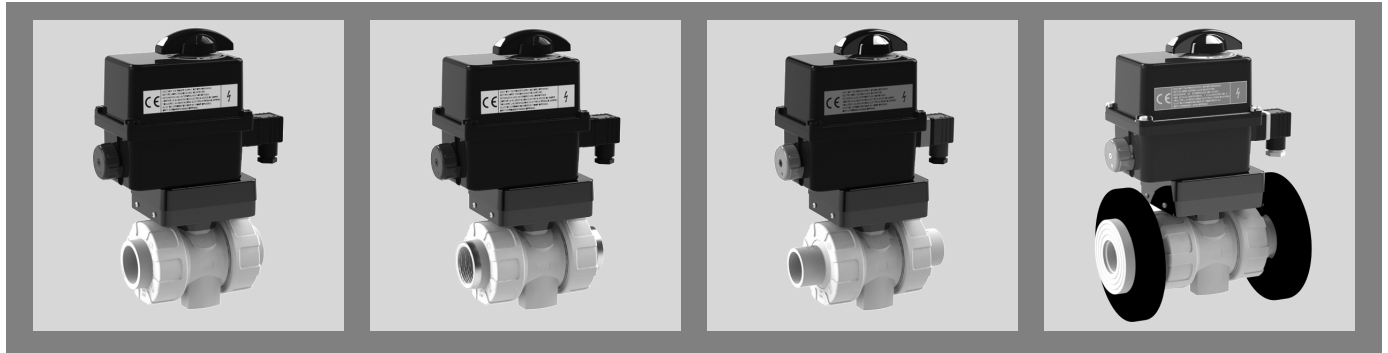
## Ball Valve C 200, electric, ER Premier


**variant 24V DC**
**body PVC-U**

size	body PVC-U								
	d(mm)	16	20	25	32	40	50	63	
pressure range	DN(mm)	10	15	20	25	32	40	50	
	DN(inch)	3/8	1/2	3/4	1	1 1/4	1 1/2	2	
	PN(bar)	16	16	16	16	16	16	16	
Connection	Ball seat	sealing							ident No.
PVC-U socket DIN	PTFE	EPDM	1457805000	1457815000	1457825000	1457835000	1457845000	1457855000	1457865000
	PTFE	FPM	1458515000	1458525000	1458535000	1458545000	1458555000	1458565000	1458575000
	weight		1.28 kg	1.30 kg	1.42 kg	1.56 kg	1.90 kg	2.14 kg	2.94 kg
PVC-U socket ANSI	PTFE	EPDM	1457955000	1457965000	1457975000	1457985000	1457995000	1458005000	1458015000
	PTFE	FPM	1458665000	1458675000	1458685000	1458695000	1458705000	1458715000	1458725000
	weight		1.30 kg	1.42 kg	1.56 kg	1.89 kg	2.15 kg	2.94 kg	
PVC-U female thread Rp	PTFE	EPDM	1457885000	1457895000	1457905000	1457915000	1457925000	1457935000	1457945000
	PTFE	FPM	1458595000	1458605000	1458615000	1458625000	1458635000	1458645000	1458655000
	weight		1.31 kg	1.44 kg	1.58 kg	1.93 kg	2.21 kg	3.06 kg	
PE spigot DIN	PTFE	EPDM	1458165000	1458175000	1458185000	1458195000	1458205000	1458215000	1458225000
	PTFE	FPM	1458875000	1458885000	1458895000	1458905000	1458915000	1458925000	1458935000
	weight		1.31 kg	1.44 kg	1.58 kg	1.93 kg	2.19 kg	2.99 kg	
GFR (DIN) flange DIN	PTFE	EPDM	1458375000	1458385000	1458395000	1458405000	1458415000	1458425000	1458435000
	PTFE	FPM	1459085000	1459095000	1459105000	1459115000	1459125000	1459135000	1459145000
	weight		1.53 kg	1.75 kg	1.98 kg	2.64 kg	3.03 kg	4.18 kg	
PP/steel (ANSI) flange ANSI	PTFE	EPDM	1458445000	1458455000	1458465000	1458475000	1458485000	1458495000	1458505000
	PTFE	FPM	1459155000	1459165000	1459175000	1459185000	1459195000	1459205000	1459215000
	weight		1.74 kg	2.07 kg	2.43 kg	3.03 kg	3.56 kg	4.94 kg	



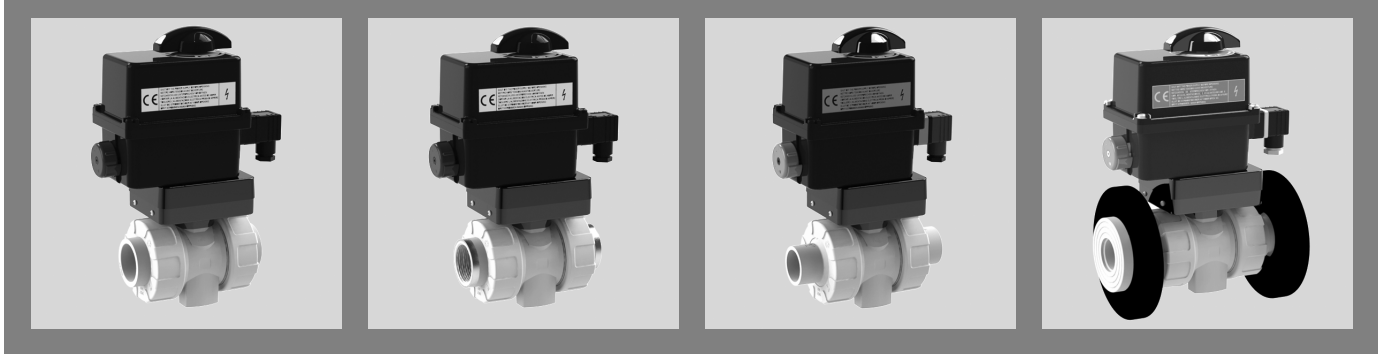
## Ball Valve C 200, electric, ER Premier



variant 100-240V AC		body PP							
size pressure range	d(mm)		16	20	25	32	40	50	63
	DN(mm)		10	15	20	25	32	40	50
	DN(inch)		3/8	1/2	3/4	1	1 1/4	1 1/2	2
	PN(bar)		10	10	10	10	10	10	10
Connection	Ball seat	sealing	ident No.						
PP socket DIN	PTFE	EPDM	1449945500	1449955500	1449965500	1449975500	1449985500	1449995500	1450005500
	PTFE	FPM	1450025500	1450035500	1450045500	1450055500	1450065500	1450075500	1450085500
	weight		1.26 kg	1.26 kg	1.37 kg	1.46 kg	1.72 kg	1.90 kg	2.50 kg
PP spigot DIN	PTFE	EPDM		1449805500	1449815500	1449825500	1449835500	1449845500	1449855500
	PTFE	FPM		1449875500	1449885500	1449895500	1449905500	1449915500	1449925500
	weight			1.26 kg	1.37 kg	1.46 kg	1.74 kg	1.78 kg	2.55 kg
GFR (DIN) flange DIN	PTFE	EPDM		1455445500	1455455500	1455465500	1455475500	1455485500	1455495500
	PTFE	FPM		1455515500	1455525500	1455535500	1455545500	1455555500	1455565500
	weight			1.52 kg	1.74 kg	1.96 kg	2.62 kg	2.93 kg	4.08 kg
PP / steel flange ANSI	PTFE	EPDM		1455585500	1455595500	1455605500	1455615500	1455625500	1455635500
	PTFE	FPM		1455655500	1455665500	1455675500	1455685500	1455695500	1455705500
	weight			1.69 kg	2.02 kg	2.33 kg	2.84 kg	3.27 kg	4.42 kg

variant 24V DC		body PP							
size pressure range	d(mm)		16	20	25	32	40	50	63
	DN(mm)		10	15	20	25	32	40	50
	DN(inch)		3/8	1/2	3/4	1	1 1/4	1 1/2	2
	PN(bar)		10	10	10	10	10	10	10
Connection	Ball seat	sealing	ident No.						
PP socket DIN	PTFE	EPDM	1449945000	1449955000	1449965000	1449975000	1449985000	1449995000	1450005000
	PTFE	FPM	1450025000	1450035000	1450045000	1450055000	1450065000	1450075000	1450085000
	weight		1.26 kg	1.26 kg	1.37 kg	1.46 kg	1.72 kg	1.90 kg	2.50 kg
PP spigot DIN	PTFE	EPDM		1449805000	1449815000	1449825000	1449835000	1449845000	1449855000
	PTFE	FPM		1449875000	1449885000	1449895000	1449905000	1449915000	1449925000
	weight			1.26 kg	1.37 kg	1.46 kg	1.74 kg	1.78 kg	2.55 kg
GFR (DIN) flange DIN	PTFE	EPDM		1455445000	1455455000	1455465000	1455475000	1455485000	1455495000
	PTFE	FPM		1455515000	1455525000	1455535000	1455545000	1455555000	1455565000
	weight			1.52 kg	1.74 kg	1.96 kg	2.62 kg	2.93 kg	4.08 kg
PP / steel flange ANSI	PTFE	EPDM		1455585000	1455595000	1455605000	1455615000	1455625000	1455635000
	PTFE	FPM		1455655000	1455665000	1455675000	1455685000	1455695000	1455705000
	weight			1.69 kg	2.02 kg	2.33 kg	2.84 kg	3.27 kg	4.42 kg

## Ball Valve C 200, electric, ER Premier

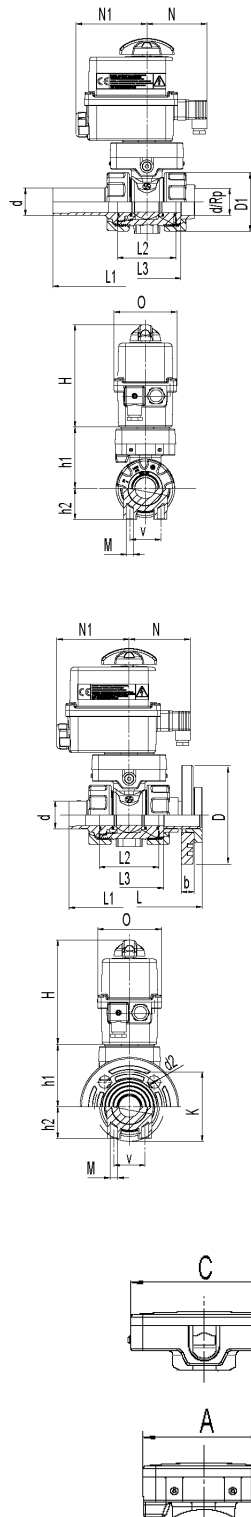

**variant 100-240V AC**
**body PVDF**

<i>size</i>	d(mm)		16	20	25	32	40	50	63	
	<i>pressure range</i>	DN(mm)	10	15	20	25	32	40	50	
		DN(inch)	3/8	1/2	3/4	1	1 1/4	1 1/2	2	
		PN(bar)	16	16	16	16	16	16	16	
<i>Connection</i>	<i>Ball seat</i>	<i>sealing</i>	<i>ident No.</i>							
	PVDF socket DIN	PTFE	FPM	1461895500	1461905500	1461915500	1461925500	1461935500	1461945500	1461955500
	<i>weight</i>			1.35 kg	1.35 kg	1.50 kg	1.67 kg	2.08 kg	2.41 kg	3.44 kg
PVDF spigot DIN	PTFE	FPM		1461975500	1461985500	1461995500	1462005500	1462015500	1462025500	
	<i>weight</i>			1.35 kg	1.50 kg	1.68 kg	2.10 kg	2.43 kg	3.47 kg	
PP / steel flange DIN	PTFE	FPM		1462045500	1462055500	1462065500	1462075500	1462085500	1462095500	
	<i>weight</i>			1.91 kg	2.26 kg	2.78 kg	3.76 kg	4.32 kg	5.82 kg	
PP / steel flange ANSI	PTFE	FPM		1462115500	1462125500	1462135500	1462145500	1462155500	1462165500	
	<i>weight</i>			1.80 kg	2.18 kg	2.60 kg	3.28 kg	3.89 kg	5.52 kg	

**variant 24V DC**
**body PVDF**

<i>size</i>	d(mm)		16	20	25	32	40	50	63	
	<i>pressure range</i>	DN(mm)	10	15	20	25	32	40	50	
		DN(inch)	3/8	1/2	3/4	1	1 1/4	1 1/2	2	
		PN(bar)	16	16	16	16	16	16	16	
<i>Connection</i>	<i>Ball seat</i>	<i>sealing</i>	<i>ident No.</i>							
	PVDF socket DIN	PTFE	FPM	1461895000	1461905000	1461915000	1461925000	1461935000	1461945000	1461955000
	<i>weight</i>			1.35 kg	1.35 kg	1.50 kg	1.67 kg	2.08 kg	2.41 kg	3.44 kg
PVDF spigot DIN	PTFE	FPM		1461975000	1461985000	1461995000	1462005000	1462015000	1462025000	
	<i>weight</i>			1.35 kg	1.50 kg	1.68 kg	2.10 kg	2.43 kg	3.47 kg	
PP / steel flange DIN	PTFE	FPM		1462045000	1462055000	1462065000	1462075000	1462085000	1462095000	
	<i>weight</i>			1.91 kg	2.26 kg	2.78 kg	3.76 kg	4.32 kg	5.82 kg	
PP / steel flange ANSI	PTFE	FPM		1462115000	1462125000	1462135000	1462145000	1462155000	1462165000	
	<i>weight</i>			1.80 kg	2.18 kg	2.60 kg	3.28 kg	3.89 kg	5.52 kg	

# Ball Valve C 200, electric, ER Premier



## dimensions

d(mm)	16	20	25	32	40	50	63
DN(mm)	10	15	20	25	32	40	50
DN(inch)	3/8	1/2	3/4	1	1 1/4	1 1/2	2
actuator type	ER	ER	ER	ER	ER	ER	ER
	Premier	Premier	Premier	Premier	Premier	Premier	Premier
	20	20	20	20	20	20	20

## dimensions(mm)

Rp	-	1/2	3/4	1	1 1/4	1 1/2	2
L1 (PVDF-spigot)	-	131	143.5	153	172	192	222
L1 (PE-spigot)	-	236.5	245	251	265	269	281
L1 (PP-spigot)	-	131	143.5	153	172	192	222
A	72	72	77	77	89	89	92.5
GFR (DIN)/PP / steel	b	-	12	14	15	17	18
PP / steel/PP/steel (ANSI)	b	-	13	14	16	18	19
B1	36	36	38	38	44.5	44.5	46
B2	75	75	78	78	82.5	82.5	84
C	87	87	92	92	108	108	112.5
GFR (DIN)/PP / steel	d2	-	14	14	14	18	18
PP / steel/PP/steel (ANSI)	d2	-	16	16	16	16	20
GFR (DIN)/PP / steel	D	-	95	105	115	140	150
PP / steel/PP/steel (ANSI)	D	-	95	105	113	130	133
D1	50	50	59	70	86	100	125.5
h	27	27	30	40	46	55	70
h1	63.5	63.5	69	77	86.5	92.5	108
H	152	152	152	152	152	152	152
GFR (DIN)/PP / steel	K	-	65	75	85	100	110
PP / steel/PP/steel (ANSI)	K	-	60	70	80	89	98
L	-	150	170	180	210	230	278
PP/PVDF	L2	56.5	56.5	65	71	85	101
PVC-U	L2	56	56	65	71	85	101
PP	L3	68	68	72	84	100	107
PVC-U	L3	64	63	72	79	94	96
PVDF	L3	67.5	67.5	77	83	99.5	105
M	M 5	M 5	M 5	M 6	M 8	M 8	M 8
N	88	88	88	88	88	88	88
N1	105	105	105	105	105	105	105
O	92	92	92	92	92	92	92
V	25,0	25,0	25,0	26	45	45	45

## Ball Valve C 200, electric, ER Premier

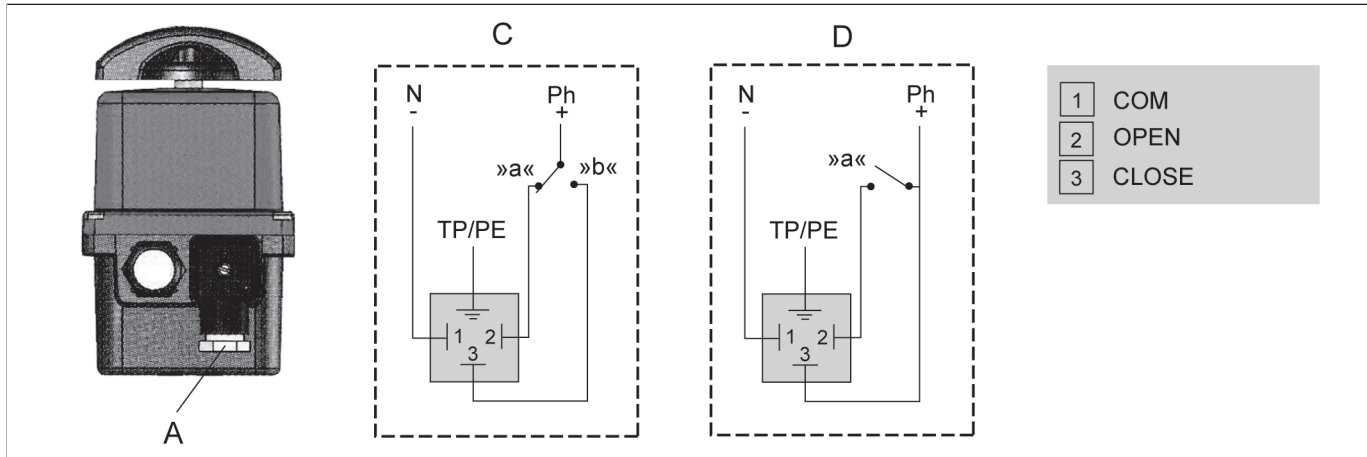
### Technical data

actuator type	ER Premier 20	ER Premier 20 (*)
Torque	20	20
Voltage	100-240 VAC - 100-350 VDC	24 VAC/DC
Manipulating time(s)	10	10
Power consumption(W)	15	15
Setting angle(°)	90	90
Weight(kg)	1	1
Duty cycle(%)	30	30
Type of protection	IP 65	IP 65
Temperature(°C)	-10 ... 55	-10 ... 55
Heating	no	no
Failsafe	no	no

(\*) Drive variants: please order separately.

### Power supply

ER Premier



A = power supply

C = 3-switch-point-modus

D = open/closed-switch-point-modus

»a« = valve open

»b« = valve closed

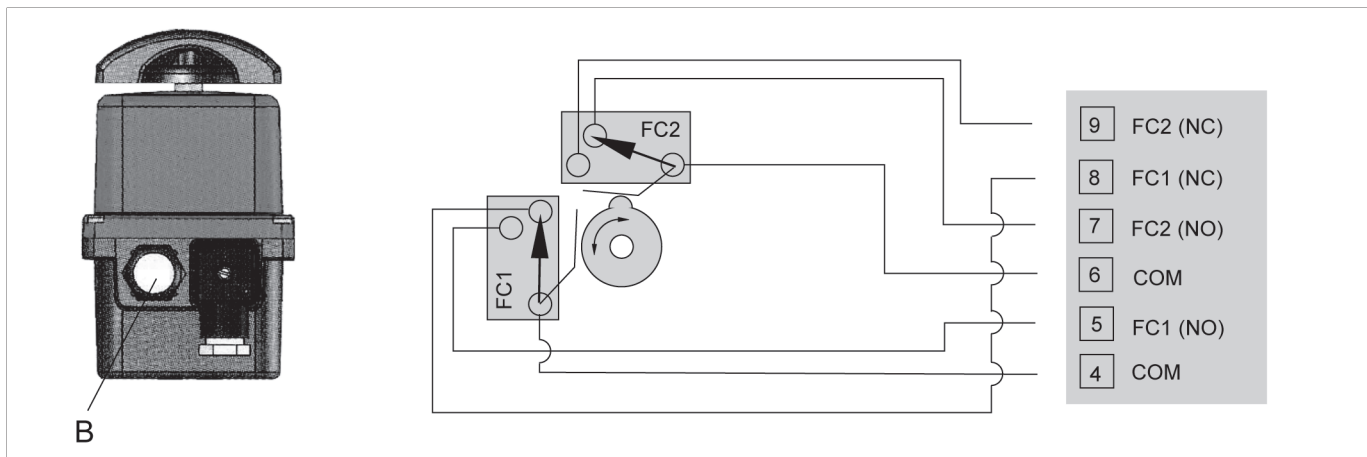
1 = COM

2 = valve »OPEN«

3 = valve »CLOSED«

### Feedback

ER Premier



B = Feedback

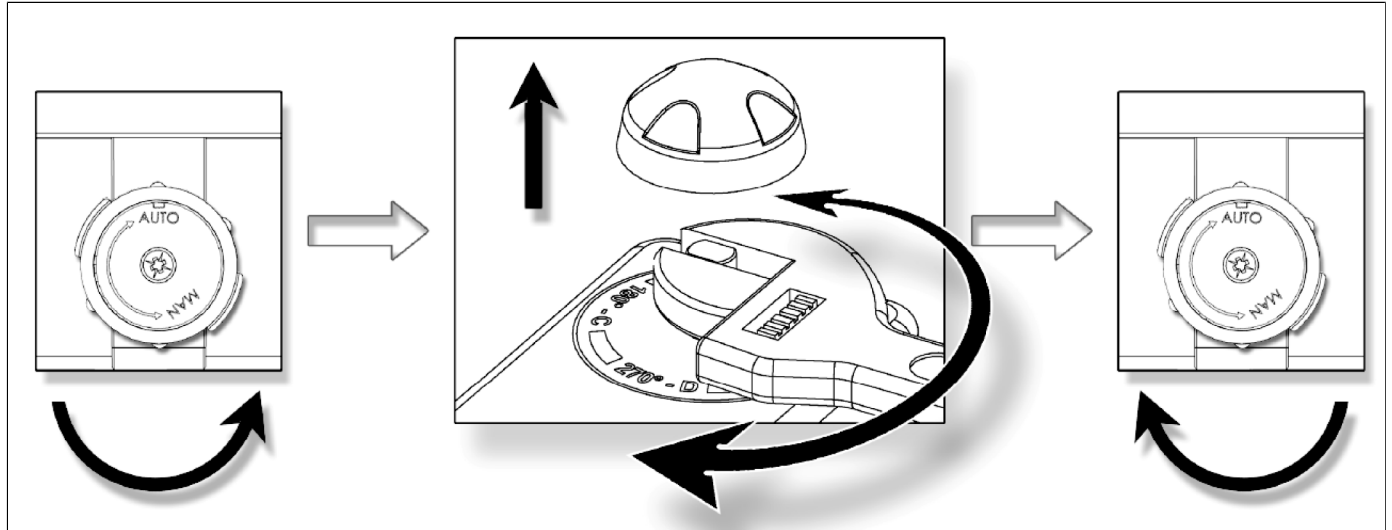
FC1 = limit switches valve »OPEN«

FC2 = limit switche valve »CLOSED«

## Ball Valve C 200, electric, ER Premier

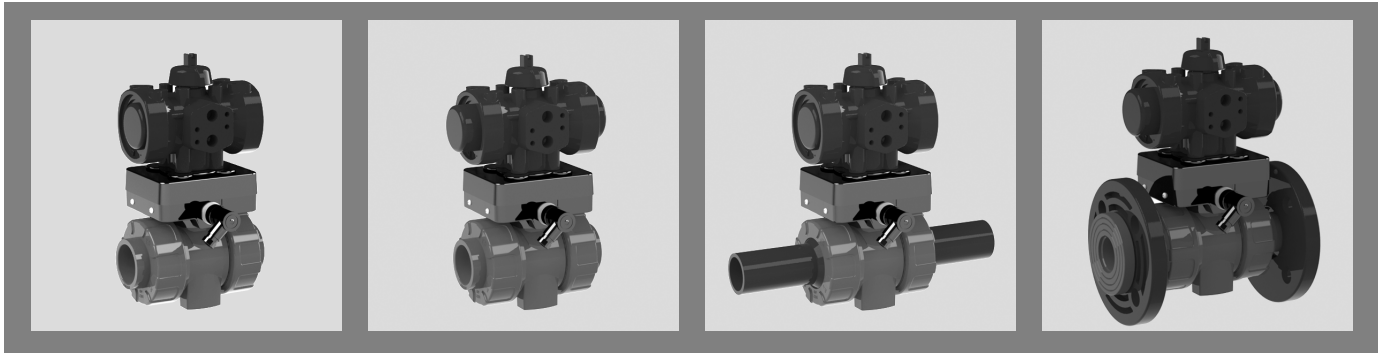
### Manual emergency control

ER Premier



The valve can be manually operated in the event of an interruption of the power supply. To allow manual emergency control, turn the coupling switch from "AUTO" to "MAN" and hold in the "MAN" position. Turn the actuator shaft with the aid of an adjustable spanner. Release the coupling switch to re-engage the gearing.

## Ball Valve C 200, pneumatic, Prisma



### Control Pressure

- 6 bar

### Control Function

- NC (normally closed)
- NO (normally open)
- DA (double acting)

### Coupling

- PA, glass fibre reinforced

### Mounting Set

- ASA (acrylate styrene acrylonitrile)
- without limit switch assembly

### Screws

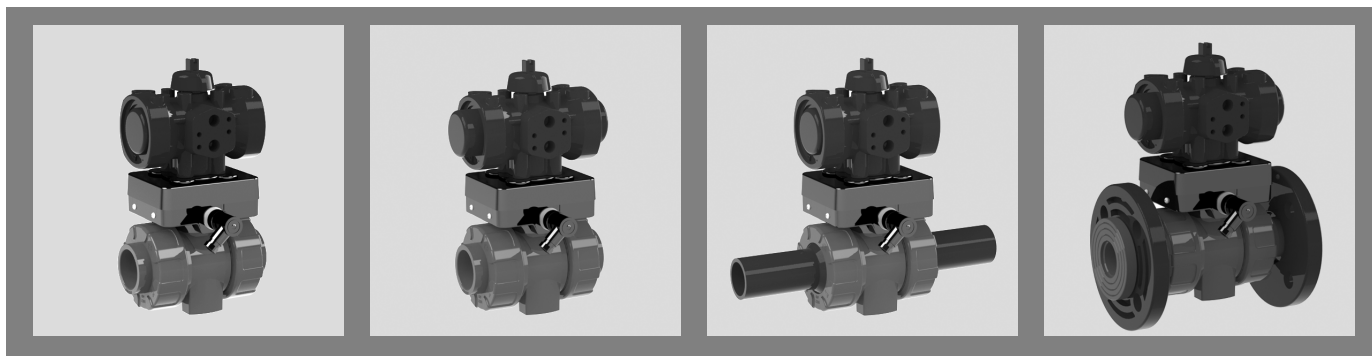
- stainless steel (1.4301)

### Standard

- visual position indicator

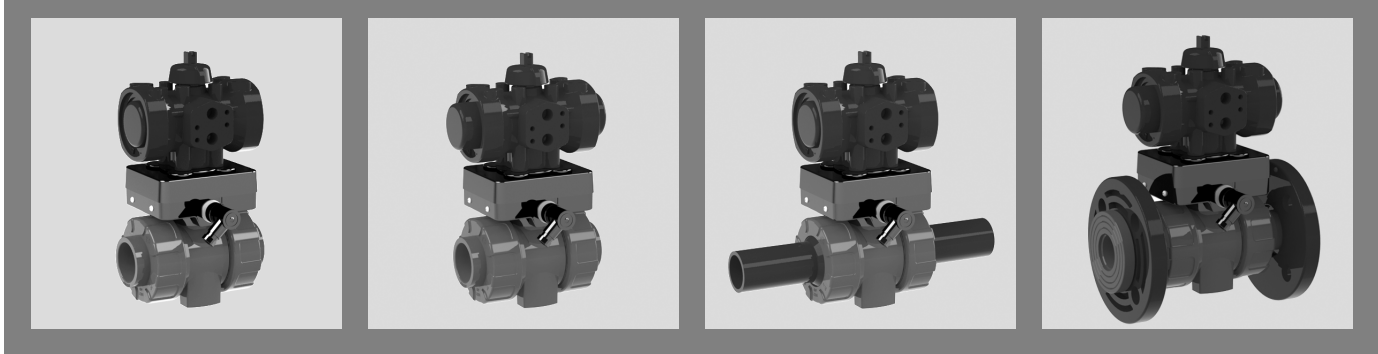
variant NC		body PVC-U								
<i>size</i>	d(mm)		16	20	25	32	40	50	63	
	<i>pressure range</i>	DN(mm)		10	15	20	25	32	40	50
		DN(inch)		3/8	1/2	3/4	1	1 1/4	1 1/2	2
		PN(bar)		16	16	16	16	16	16	16
<i>Connection</i>	<i>Ball seat</i>	<i>sealing</i>	<i>ident No.</i>							
PVC-U socket DIN	PTFE	EPDM	1457800100	1457810100	1457820100	1457830100	1457840100	1457850100	1457860100	
	PTFE	FPM	1458510100	1458520100	1458530100	1458540100	1458550100	1458560100	1458570100	
	<i>weight</i>		0.75 kg	0.77 kg	0.89 kg	1.08 kg	1.93 kg	3.29 kg	4.09 kg	
PVC-U socket ANSI	PTFE	EPDM		1457950100	1457960100	1457970100	1457980100	1457990100	1458000100	
	PTFE	FPM		1458660100	1458670100	1458680100	1458690100	1458700100	1458710100	
	<i>weight</i>			0.77 kg	0.89 kg	1.08 kg	1.92 kg	3.30 kg	4.08 kg	
PVC-U female thread Rp	PTFE	EPDM		1457880100	1457890100	1457900100	1457910100	1457920100	1457930100	
	PTFE	FPM		1458590100	1458600100	1458610100	1458620100	1458630100	1458640100	
	<i>weight</i>			0.78 kg	0.91 kg	1.10 kg	1.96 kg	3.36 kg	4.21 kg	
PE spigot DIN	PTFE	EPDM		1458160100	1458170100	1458180100	1458190100	1458200100	1458210100	
	PTFE	FPM		1458870100	1458880100	1458890100	1458900100	1458910100	1458920100	
	<i>weight</i>			0.78 kg	0.91 kg	1.10 kg	1.96 kg	3.34 kg	4.14 kg	
GFR (DIN) flange DIN	PTFE	EPDM		1458370100	1458380100	1458390100	1458400100	1458410100	1458420100	
	PTFE	FPM		1459080100	1459090100	1459100100	1459110100	1459120100	1459130100	
	<i>weight</i>			1.00 kg	1.22 kg	1.50 kg	2.67 kg	4.18 kg	5.33 kg	
PP/steel (ANSI) flange ANSI	PTFE	EPDM		1458440100	1458450100	1458460100	1458470100	1458480100	1458490100	
	PTFE	FPM		1459150100	1459160100	1459170100	1459180100	1459190100	1459200100	
	<i>weight</i>			1.21 kg	1.54 kg	1.96 kg	3.06 kg	4.71 kg	6.09 kg	

## Ball Valve C 200, pneumatic, Prisma



variant NO		body PVC-U							
<i>size</i>	d(mm)	16	20	25	32	40	50	63	
<i>pressure range</i>	DN(mm)	10	15	20	25	32	40	50	
	DN(inch)	3/8	1/2	3/4	1	1 1/4	1 1/2	2	
	PN(bar)	16	16	16	16	16	16	16	
<i>Connection</i>	<i>Ball seat</i>	<i>sealing</i>	<i>ident No.</i>						
PVC-U socket DIN	PTFE	EPDM	1457800200	1457810200	1457820200	1457830200	1457840200	1457850200	1457860200
	PTFE	FPM	1458510200	1458520200	1458530200	1458540200	1458550200	1458560200	1458570200
	<i>weight</i>		0.75 kg	0.77 kg	0.89 kg	1.08 kg	1.93 kg	3.29 kg	4.09 kg
PVC-U socket ANSI	PTFE	EPDM		1457950200	1457960200	1457970200	1457980200	1457990200	1458000200
	PTFE	FPM		1458660200	1458670200	1458680200	1458690200	1458700200	1458710200
	<i>weight</i>			0.77 kg	0.89 kg	1.08 kg	1.92 kg	3.30 kg	4.08 kg
PVC-U female thread Rp	PTFE	EPDM		1457880200	1457890200	1457900200	1457910200	1457920200	1457930200
	PTFE	FPM		1458590200	1458600200	1458610200	1458620200	1458630200	1458640200
	<i>weight</i>			0.78 kg	0.91 kg	1.10 kg	1.96 kg	3.36 kg	4.21 kg
PE spigot DIN	PTFE	EPDM		1458160200	1458170200	1458180200	1458190200	1458200200	1458210200
	PTFE	FPM		1458870200	1458880200	1458890200	1458900200	1458910200	1458920200
	<i>weight</i>			0.78 kg	0.91 kg	1.10 kg	1.96 kg	3.34 kg	4.14 kg
GFR (DIN) flange DIN	PTFE	EPDM		1458370200	1458380200	1458390200	1458400200	1458410200	1458420200
	PTFE	FPM		1459080200	1459090200	1459100200	1459110200	1459120200	1459130200
	<i>weight</i>			1.00 kg	1.22 kg	1.50 kg	2.67 kg	4.18 kg	5.33 kg
PP/steel (ANSI) flange ANSI	PTFE	EPDM		1458440200	1458450200	1458460200	1458470200	1458480200	1458490200
	PTFE	FPM		1459150200	1459160200	1459170200	1459180200	1459190200	1459200200
	<i>weight</i>			1.21 kg	1.54 kg	1.96 kg	3.06 kg	4.71 kg	6.09 kg

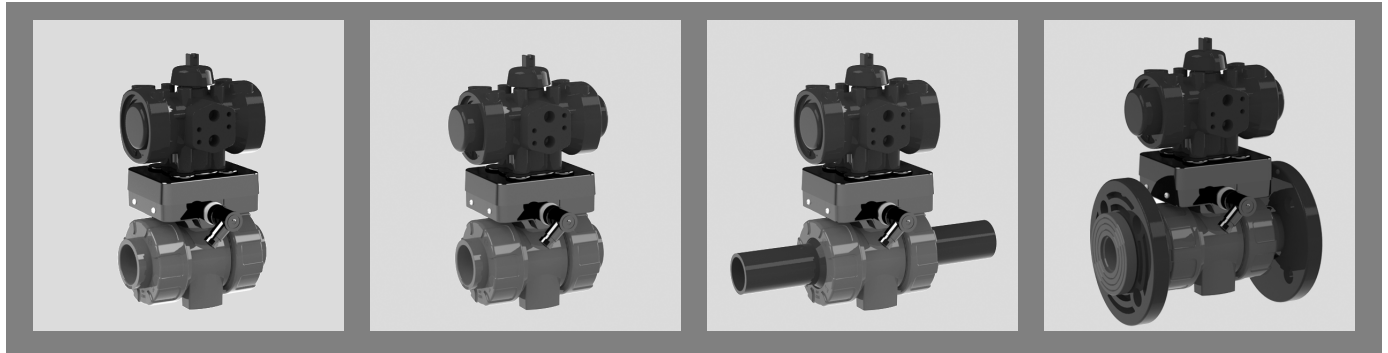
## Ball Valve C 200, pneumatic, Prisma



variant DA		body PVC-U							
size	d(mm)	16	20	25	32	40	50	63	
pressure range	DN(mm)	10	15	20	25	32	40	50	
	DN(inch)	3/8	1/2	3/4	1	1 1/4	1 1/2	2	
	PN(bar)	16	16	16	16	16	16	16	
Connection	Ball seat	sealing	ident No.						
PVC-U socket DIN	PTFE	EPDM	1457800300	1457810300	1457820300	1457830300	1457840300	1457850300	1457860300
	PTFE	FPM	1458510300	1458520300	1458530300	1458540300	1458550300	1458560300	1458570300
	weight		0.61 kg	0.63 kg	0.75 kg	0.89 kg	1.66 kg	1.90 kg	2.70 kg
PVC-U socket ANSI	PTFE	EPDM		1457950300	1457960300	1457970300	1457980300	1457990300	1458000300
	PTFE	FPM		1458660300	1458670300	1458680300	1458690300	1458700300	1458710300
	weight			0.63 kg	0.75 kg	0.89 kg	1.65 kg	1.91 kg	2.70 kg
PVC-U female thread Rp	PTFE	EPDM		1457880300	1457890300	1457900300	1457910300	1457920300	1457930300
	PTFE	FPM		1458590300	1458600300	1458610300	1458620300	1458630300	1458640300
	weight			0.64 kg	0.77 kg	0.91 kg	1.69 kg	1.97 kg	2.82 kg
PE spigot DIN	PTFE	EPDM		1458160300	1458170300	1458180300	1458190300	1458200300	1458210300
	PTFE	FPM		1458870300	1458880300	1458890300	1458900300	1458910300	1458920300
	weight			0.64 kg	0.77 kg	0.91 kg	1.69 kg	1.95 kg	2.75 kg
GFR (DIN) flange DIN	PTFE	EPDM		1458370300	1458380300	1458390300	1458400300	1458410300	1458420300
	PTFE	FPM		1459080300	1459090300	1459100300	1459110300	1459120300	1459130300
	weight			0.86 kg	1.08 kg	1.31 kg	2.40 kg	2.79 kg	3.94 kg
PP/steel (ANSI) flange ANSI	PTFE	EPDM		1458440300	1458450300	1458460300	1458470300	1458480300	1458490300
	PTFE	FPM		1459150300	1459160300	1459170300	1459180300	1459190300	1459200300
	weight			1.07 kg	1.40 kg	1.76 kg	2.79 kg	3.32 kg	4.70 kg



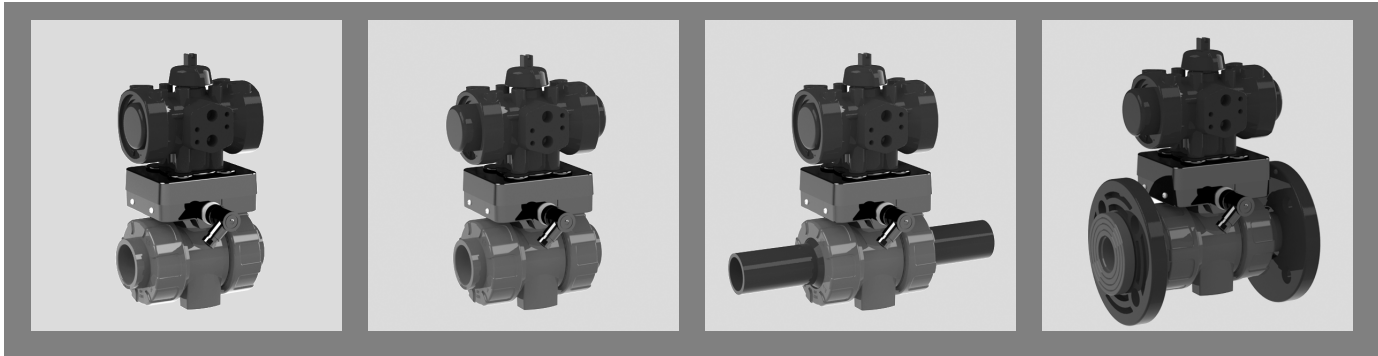
## Ball Valve C 200, pneumatic, Prisma



variant NC		body PP							
size pressure range	d(mm)		16	20	25	32	40	50	63
	DN(mm)		10	15	20	25	32	40	50
	DN(inch)		3/8	1/2	3/4	1	1 1/4	1 1/2	2
	PN(bar)		10	10	10	10	10	10	10
Connection	Ball seat	sealing	ident No.						
PP socket DIN	PTFE	EPDM	1449940100	1449950100	1449960100	1449970100	1449980100	1449990100	1450000100
	PTFE	FPM	1450020100	1450030100	1450040100	1450050100	1450060100	1450070100	1450080100
	weight		0.73 kg	0.73 kg	0.84 kg	0.98 kg	1.76 kg	3.05 kg	3.65 kg
PP spigot DIN	PTFE	EPDM		1449800100	1449810100	1449820100	1449830100	1449840100	1449850100
	PTFE	FPM		1449870100	1449880100	1449890100	1449900100	1449910100	1449920100
	weight			0.73 kg	0.84 kg	0.99 kg	1.76 kg	2.93 kg	3.70 kg
GFR (DIN) flange DIN	PTFE	EPDM		1455440100	1455450100	1455460100	1455470100	1455480100	1455490100
	PTFE	FPM		1455510100	1455520100	1455530100	1455540100	1455550100	1455560100
	weight			0.99 kg	1.22 kg	1.49 kg	2.65 kg	4.08 kg	5.22 kg
PP / steel flange ANSI	PTFE	EPDM		1455580100	1455590100	1455600100	1455610100	1455620100	1455630100
	PTFE	FPM		1455650100	1455660100	1455670100	1455680100	1455690100	1455700100
	weight			1.16 kg	1.48 kg	1.85 kg	2.87 kg	4.42 kg	5.57 kg

variant NO		body PP							
size pressure range	d(mm)		16	20	25	32	40	50	63
	DN(mm)		10	15	20	25	32	40	50
	DN(inch)		3/8	1/2	3/4	1	1 1/4	1 1/2	2
	PN(bar)		10	10	10	10	10	10	10
Connection	Ball seat	sealing	ident No.						
PP socket DIN	PTFE	EPDM	1449940200	1449950200	1449960200	1449970200	1449980200	1449990200	1450000200
	PTFE	FPM	1450020200	1450030200	1450040200	1450050200	1450060200	1450070200	1450080200
	weight		0.73 kg	0.73 kg	0.84 kg	0.98 kg	1.76 kg	3.05 kg	3.65 kg
PP spigot DIN	PTFE	EPDM		1449800200	1449810200	1449820200	1449830200	1449840200	1449850200
	PTFE	FPM		1449870200	1449880200	1449890200	1449900200	1449910200	1449920200
	weight			0.73 kg	0.84 kg	0.99 kg	1.76 kg	2.93 kg	3.70 kg
GFR (DIN) flange DIN	PTFE	EPDM		1455440200	1455450200	1455460200	1455470200	1455480200	1455490200
	PTFE	FPM		1455510200	1455520200	1455530200	1455540200	1455550200	1455560200
	weight			0.99 kg	1.22 kg	1.49 kg	2.65 kg	4.08 kg	5.22 kg
PP / steel flange ANSI	PTFE	EPDM		1455580200	1455590200	1455600200	1455610200	1455620200	1455630200
	PTFE	FPM		1455650200	1455660200	1455670200	1455680200	1455690200	1455700200
	weight			1.16 kg	1.48 kg	1.85 kg	2.87 kg	4.42 kg	5.57 kg

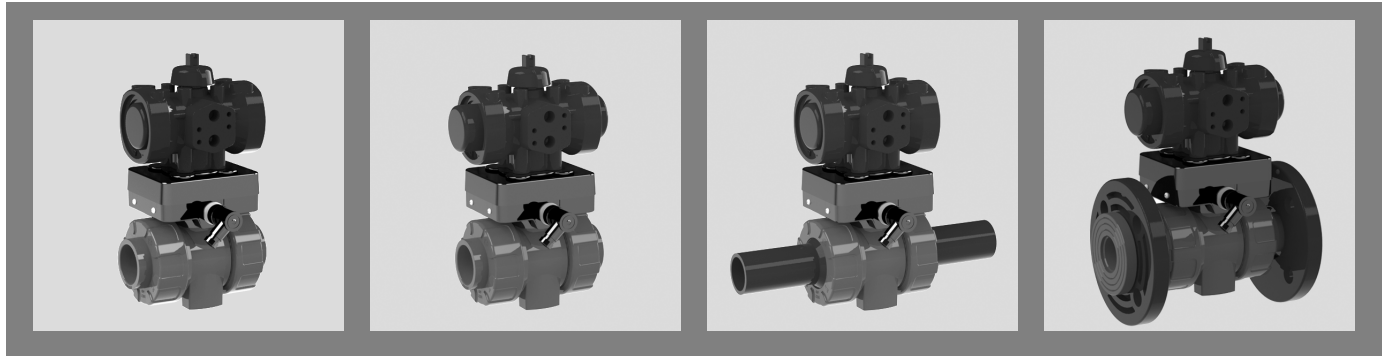
## Ball Valve C 200, pneumatic, Prisma



variant DA		body PP							
size	d(mm)		16	20	25	32	40	50	63
pressure range	DN(mm)		10	15	20	25	32	40	50
	DN(inch)		3/8	1/2	3/4	1	1 1/4	1 1/2	2
	PN(bar)		10	10	10	10	10	10	10
Connection	Ball seat	sealing	ident No.						
PP socket DIN	PTFE	EPDM	1449940300	1449950300	1449960300	1449970300	1449980300	1449990300	1450000300
	PTFE	FPM	1450020300	1450030300	1450040300	1450050300	1450060300	1450070300	1450080300
	weight		0.59 kg	0.59 kg	0.70 kg	0.79 kg	1.48 kg	1.66 kg	2.26 kg
PP spigot DIN	PTFE	EPDM		1449800300	1449810300	1449820300	1449830300	1449840300	1449850300
	PTFE	FPM		1449870300	1449880300	1449890300	1449900300	1449910300	1449920300
	weight			0.59 kg	0.70 kg	0.79 kg	1.50 kg	1.54 kg	2.31 kg
GFR (DIN) flange DIN	PTFE	EPDM		1455440300	1455450300	1455460300	1455470300	1455480300	1455490300
	PTFE	FPM		1455510300	1455520300	1455530300	1455540300	1455550300	1455560300
	weight			0.85 kg	1.08 kg	1.29 kg	2.38 kg	2.69 kg	3.84 kg
PP / steel flange ANSI	PTFE	EPDM		1455580300	1455590300	1455600300	1455610300	1455620300	1455630300
	PTFE	FPM		1455650300	1455660300	1455670300	1455680300	1455690300	1455700300
	weight			1.02 kg	1.34 kg	1.66 kg	2.60 kg	3.03 kg	4.18 kg

variant NC		body PVDF							
size	d(mm)		16	20	25	32	40	50	63
pressure range	DN(mm)		10	15	20	25	32	40	50
	DN(inch)		3/8	1/2	3/4	1	1 1/4	1 1/2	2
	PN(bar)		16	16	16	16	16	16	16
Connection	Ball seat	sealing	ident No.						
PVDF socket DIN	PTFE	FPM	1461890100	1461900100	1461910100	1461920100	1461930100	1461940100	1461950100
	weight		0.82 kg	0.82 kg	0.96 kg	1.19 kg	2.12 kg	3.56 kg	4.58 kg
PVDF spigot DIN	PTFE	FPM		1461970100	1461980100	1461990100	1462000100	1462010100	1462020100
	weight			0.82 kg	0.97 kg	1.20 kg	2.13 kg	3.58 kg	4.62 kg
PP / steel flange DIN	PTFE	FPM		1462040100	1462050100	1462060100	1462070100	1462080100	1462090100
	weight			1.38 kg	1.73 kg	2.31 kg	3.80 kg	5.47 kg	6.97 kg
PP / steel flange ANSI	PTFE	FPM		1462110100	1462120100	1462130100	1462140100	1462150100	1462160100
	weight			1.27 kg	1.65 kg	2.12 kg	3.31 kg	5.04 kg	6.67 kg

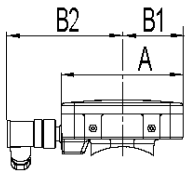
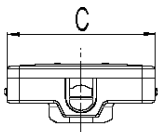
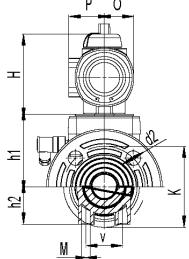
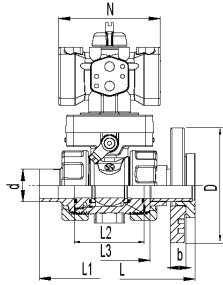
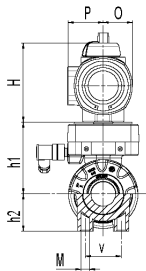
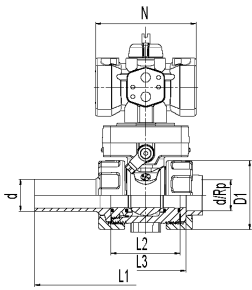
## Ball Valve C 200, pneumatic, Prisma



variant NO		body PVDF								
<i>size</i>	d(mm)		16	20	25	32	40	50	63	
	<i>pressure range</i>	DN(mm)		10	15	20	25	32	40	50
		DN(inch)		3/8	1/2	3/4	1	1 1/4	1 1/2	2
		PN(bar)		16	16	16	16	16	16	16
<i>Connection</i>	<i>Ball seat</i>	<i>sealing</i>	<i>ident No.</i>							
PVDF socket DIN	PTFE	FPM	1461890200	1461900200	1461910200	1461920200	1461930200	1461940200	1461950200	
	<i>weight</i>		0.82 kg	0.82 kg	0.96 kg	1.19 kg	2.12 kg	3.56 kg	4.58 kg	
PVDF spigot DIN	PTFE	FPM		1461970200	1461980200	1461990200	1462000200	1462010200	1462020200	
	<i>weight</i>			0.82 kg	0.97 kg	1.20 kg	2.13 kg	3.58 kg	4.62 kg	
PP / steel flange DIN	PTFE	FPM		1462040200	1462050200	1462060200	1462070200	1462080200	1462090200	
	<i>weight</i>			1.38 kg	1.73 kg	2.31 kg	3.80 kg	5.47 kg	6.97 kg	
PP / steel flange ANSI	PTFE	FPM		1462110200	1462120200	1462130200	1462140200	1462150200	1462160200	
	<i>weight</i>			1.27 kg	1.65 kg	2.12 kg	3.31 kg	5.04 kg	6.67 kg	

variant DA		body PVDF								
<i>size</i>	d(mm)		16	20	25	32	40	50	63	
	<i>pressure range</i>	DN(mm)		10	15	20	25	32	40	50
		DN(inch)		3/8	1/2	3/4	1	1 1/4	1 1/2	2
		PN(bar)		16	16	16	16	16	16	16
<i>Connection</i>	<i>Ball seat</i>	<i>sealing</i>	<i>ident No.</i>							
PVDF socket DIN	PTFE	FPM	1461890300	1461900300	1461910300	1461920300	1461930300	1461940300	1461950300	
	<i>weight</i>		0.68 kg	0.68 kg	0.82 kg	1.00 kg	1.84 kg	2.17 kg	3.20 kg	
PVDF spigot DIN	PTFE	FPM		1461970300	1461980300	1461990300	1462000300	1462010300	1462020300	
	<i>weight</i>			0.68 kg	0.83 kg	1.00 kg	1.86 kg	2.19 kg	3.23 kg	
PP / steel flange DIN	PTFE	FPM		1462040300	1462050300	1462060300	1462070300	1462080300	1462090300	
	<i>weight</i>			1.24 kg	1.59 kg	2.12 kg	3.52 kg	4.08 kg	5.58 kg	
PP / steel flange ANSI	PTFE	FPM		1462110300	1462120300	1462130300	1462140300	1462150300	1462160300	
	<i>weight</i>			1.13 kg	1.51 kg	1.93 kg	3.04 kg	3.65 kg	5.28 kg	

# Ball Valve C 200, pneumatic, Prisma



## dimensions

d(mm)	16	20	25	32	40	50	63
DN(mm)	10	15	20	25	32	40	50
DN(inch)	3/8	1/2	3/4	1	1 1/4	1 1/2	2
actuator type	PPW DA PPWS NC/NO	PPW DA PPWS NC/NO	PPW DA PPWS NC/NO	PPW DA PPWS NC/NO	PPoo DA PPooS NC/NO	PPoo DA PP1oS NC/NO	PPoo DA PP1oS NC/NO
dimensions(mm)							
Rp	-	1/2	3/4	1	1 1/4	1 1/2	2
L1 (PVDF-spigot)	-	131	143.5	153	172	192	222
L1 (PE-spigot)	-	236.5	245	251	265	269	281
L1 (PP-spigot)	-	131	143.5	153	172	192	222
A	72	72	77	77	89	89	92.5
GFR (DIN)/PP / steel	b	-	12	14	15	17	18
PP / steel/PP/steel (ANSI)	b	-	13	14	16	18	19
B1	36	36	38	38	44.5	44.5	46
B2	75	75	78	78	82.5	82.5	84
C	87	87	92	92	108	108	112.5
GFR (DIN)/PP / steel	d2	-	14	14	18	18	18
PP / steel/PP/steel (ANSI)	d2	-	16	16	16	16	20
GFR (DIN)/PP / steel	D	-	95	105	115	140	165
PP / steel/PP/steel (ANSI)	D	-	95	105	113	130	160
D1	50	50	59	70	86	100	125.5
h	27	27	30	40	46	55	70
h1	63.5	63.5	69	77	86.5	92.5	108
DA	H	85	85	88	88	114	114
NC/NO	H	85	85	88	88	114	123
GFR (DIN)/PP / steel	K	-	65	75	85	100	125
PP / steel/PP/steel (ANSI)	K	-	60	70	80	89	121
L	-	150	170	180	210	230	278
PP/PVDF	L2	56.5	56.5	65	71	85	89
PVC-U	L2	56	56	65	71	85	89
PP	L3	68	68	72	84	100	107
PVC-U	L3	64	63	72	79	94	96
PVDF	L3	67.5	67.5	77	83	99.5	105
M	M 5	M 5	M 5	M 6	M 8	M 8	M 8
DA	N	107	107	107	125	125	125
NC/NO	N	142	142	142	155	230.5	230.5
DA	O	31	31	31	31	36	36
NC/NO	O	31	31	31	31	36	40
DA	P	37.5	37.5	37.5	37.5	44	44
NC/NO	P	37.5	37.5	37.5	37.5	44	57
V	25,0	25,0	25,0	26	45	45	45

## Ball Valve C 200, pneumatic, Prisma

### Technical data

PP-Line

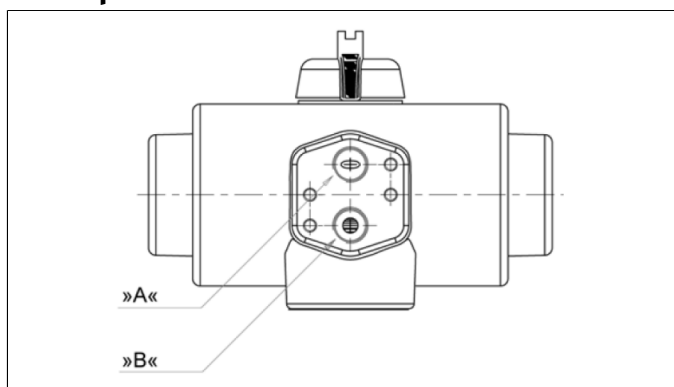
#### Option (to be ordered additionally if required)

limit switch unit; positioner; handwheel; pilot solenoid valve; AS Interface connection

actuator type	PPWS	PPooS	PP1oS
Function	NC/NO	NC/NO	NC/NO
Torque (start) at 6 bar(Nm)	10.4	15.9	46.6
Torque (end) at 6 bar(Nm)	6.5	11.3	32.3
Control volume (Opening)(Liter)	0.08	0.15	0.35
Manipulating time (Opening)(s)	0.15	0.2	0.3
Manipulating time (Closing)(s)	0.15	0.2	0.3
Control pressure connection(inch)	1/4	1/4	1/4
Weight(kg)	0.47	1.03	2.15

actuator type	PPW	PPoo
Function	DA	DA
Torque (start) at 6 bar(Nm)	17	25
Control volume (Opening)(Liter)	0.08	0.15
Control volume (Closing)(Liter)	0.05	0.1
Manipulating time (Opening)(s)	0.1	0.15
Manipulating time (Closing)(s)	0.1	0.15
Control pressure connection(inch)	1/4	1/4
Weight(kg)	0.33	0.76

### Control pressure connection



Normally closed NC: control pressure to connection »B«, valve opens

Normally open NO: control pressure to connection »B«, valve closes

Double acting DA: control pressure to connection »A«, valve closes control pressure to connection »B«, valve opens

#### Control:

3/2-way solenoid valves for NC/NO actuators

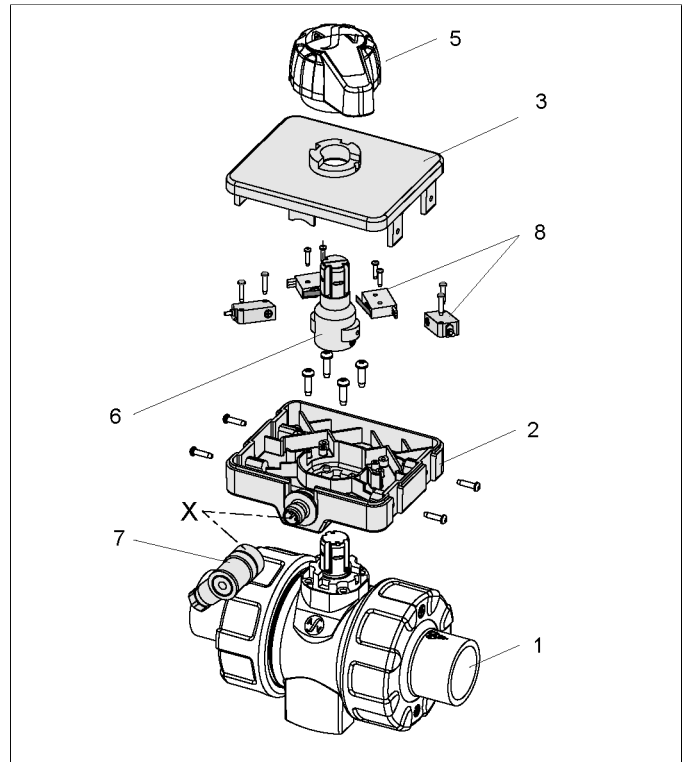
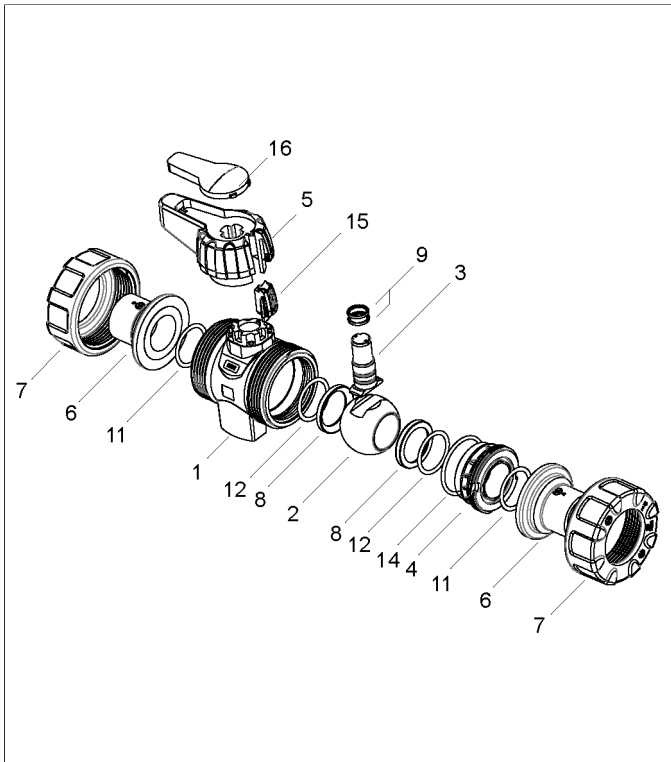
5/2-way solenoid valves for DA actuators

#### Note:

The drives require a control pressure of 6 bar for optimum function. Malfunctions may occur, if the control pressure deviates. In this case, a new drive configuration is necessary.

## Ball Valve C 200

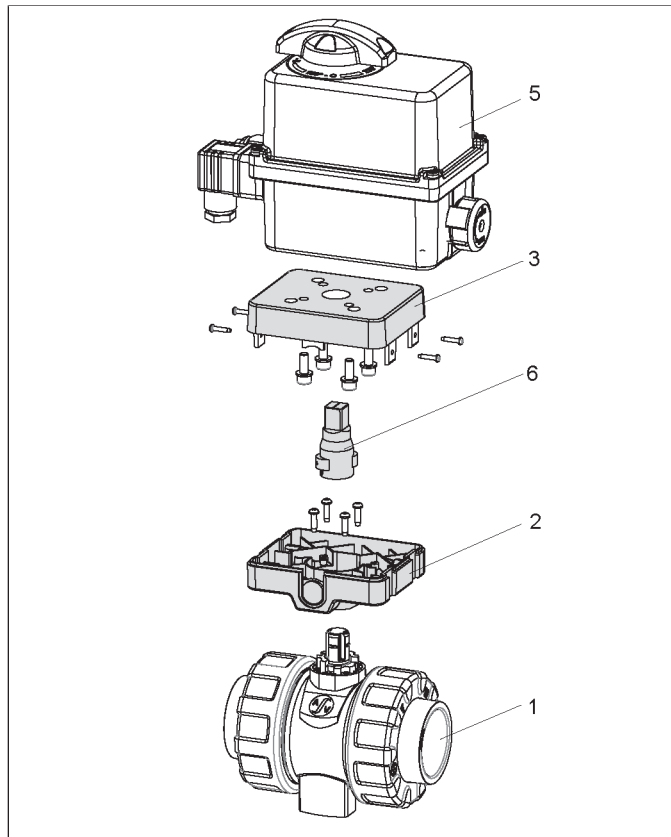
### Item Overview



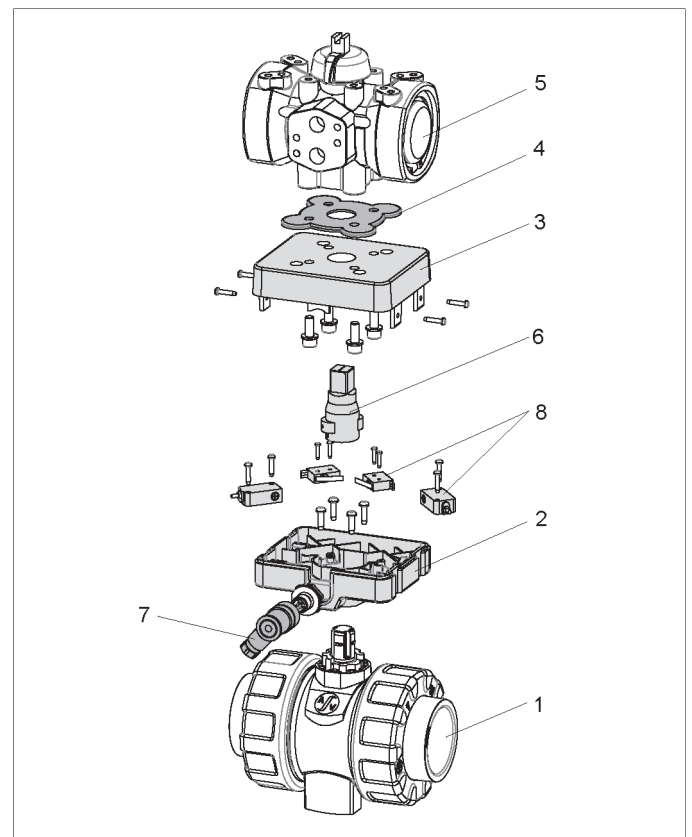
position	quantity	designation
1	1	housing/body
2	1	ball
3	1	stem
4	1	union threaded neck
5	1	hand lever
6	2	union end
7	2	union nut
8	2	ball seat
9	2	O-ring
11	2	O-ring
12	2	O-ring
14	1	O-ring
15	1	sliding catch
16	1	inlay for hand lever

position	quantity	designation
1	1	ball valve
2	1	mounting box, lower part
3	1	mounting box, upper part
5	1	hand lever
6	1	lever extension
7	1	connector
8	2	limit switches (micro or proximity switches)

## Ball Valve C 200



position	quantity	designation
1	1	ball valve
2	1	mounting box, lower part
3	1	mounting box, upper part
5	1	electrical actuator
6	1	drive adapter



position	quantity	designation
1	1	ball valve
2	1	mounting box, lower part
3	1	mounting box, upper part
4	1	sealing plate
5	1	pneumatic actuator
6	1	drive adapter
7	1	connector
8	2	limit switches (micro or proximity switches)

## Ball Valve C 200