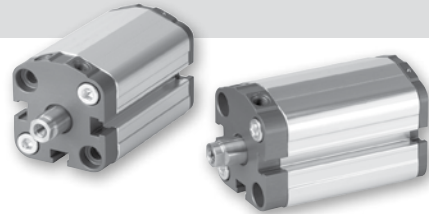


## P1M Series

- Versatile range of square body style compact cylinder
- Available in Low Profile Version or Long Bearing Version for enhanced rod bearing support
- 10 bore sizes: 12mm through 100mm
- Single and double acting versions available
- Four flexible port configurations available
- Recessed, flush position piston sensing available



### Operating information

Operating pressure:	145 PSIG (10 bar) maximum air
Temperature range:	Standard: -4°F to 176°F (-20°C to 80°C) High: 14°F to 250°F (-10°C to 121°C)
Filtration requirements:	40 micron, dry filtered air

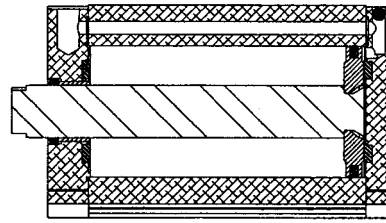
### Ordering information

<b>P1M</b>	<b>032</b>	<b>C</b>	<b>/</b>	<b>D</b>	<b>C</b>	<b>P</b>	<b>6</b>	<b>G</b>	<b>012</b>																																																																													
	<table border="1" style="width: 100%; border-collapse: collapse;"> <tr><th colspan="2">Bore size</th></tr> <tr><td>012</td><td>12mm</td></tr> <tr><td>016</td><td>16mm</td></tr> <tr><td>020</td><td>20mm</td></tr> <tr><td>025</td><td>25mm</td></tr> <tr><td>032</td><td>32mm</td></tr> <tr><td>040</td><td>40mm</td></tr> <tr><td>050</td><td>50mm</td></tr> <tr><td>063</td><td>63mm</td></tr> <tr><td>080</td><td>80mm</td></tr> <tr><td>100</td><td>100mm</td></tr> </table>	Bore size		012	12mm	016	16mm	020	20mm	025	25mm	032	32mm	040	40mm	050	50mm	063	63mm	080	80mm	100	100mm		<table border="1" style="width: 100%; border-collapse: collapse;"> <tr><td colspan="2">Insert "/" to denote special</td></tr> <tr><th colspan="2">Function</th></tr> <tr><td>D</td><td>Double acting</td></tr> <tr><td>K</td><td>Double rod</td></tr> <tr><td>R</td><td>Single acting spring return <sup>6</sup></td></tr> <tr><td>E</td><td>Single acting spring extend <sup>4</sup></td></tr> </table>	Insert "/" to denote special		Function		D	Double acting	K	Double rod	R	Single acting spring return <sup>6</sup>	E	Single acting spring extend <sup>4</sup>		<table border="1" style="width: 100%; border-collapse: collapse;"> <tr><th colspan="2">Piston/seal material</th></tr> <tr><th colspan="2">Without magnet <sup>2</sup></th></tr> <tr><td>C</td><td>No bumpers class 1 std. temp. seals</td></tr> <tr><td>G</td><td>No bumpers class 5 fluorocarbon seals</td></tr> <tr><td>B</td><td>With bumpers class 1 std. temp. seals <sup>7</sup></td></tr> <tr><th colspan="2">With magnet <sup>5</sup></th></tr> <tr><td colspan="2">(Not available on spring extend models)</td></tr> <tr><td>N</td><td>No bumpers class 1 std. temp. seals</td></tr> <tr><td>M</td><td>With bumpers class 1 std. temp. seals <sup>7</sup></td></tr> </table>	Piston/seal material		Without magnet <sup>2</sup>		C	No bumpers class 1 std. temp. seals	G	No bumpers class 5 fluorocarbon seals	B	With bumpers class 1 std. temp. seals <sup>7</sup>	With magnet <sup>5</sup>		(Not available on spring extend models)		N	No bumpers class 1 std. temp. seals	M	With bumpers class 1 std. temp. seals <sup>7</sup>	<table border="1" style="width: 100%; border-collapse: collapse;"> <tr><th colspan="2">Piston rod &amp; bearings</th></tr> <tr><th colspan="2">Extra low profile rod bearing</th></tr> <tr><td>P</td><td>Chrome plated steel rod not available on 12-25mm bores</td></tr> <tr><td>Y</td><td>Stainless steel rod standard on 12-25mm bores and spring extend models</td></tr> <tr><th colspan="2">Long rod bearing <sup>2</sup></th></tr> <tr><td>C</td><td>Chrome plated steel rod not available on 12-25mm bores</td></tr> <tr><td>A</td><td>Stainless steel rod standard on 12-25mm bores and spring extend models</td></tr> </table>	Piston rod & bearings		Extra low profile rod bearing		P	Chrome plated steel rod not available on 12-25mm bores	Y	Stainless steel rod standard on 12-25mm bores and spring extend models	Long rod bearing <sup>2</sup>		C	Chrome plated steel rod not available on 12-25mm bores	A	Stainless steel rod standard on 12-25mm bores and spring extend models		<table border="1" style="width: 100%; border-collapse: collapse;"> <tr><th colspan="2">Stroke length</th></tr> <tr><td colspan="2">Specify stroke length required in mm.</td></tr> </table>	Stroke length		Specify stroke length required in mm.									
Bore size																																																																																						
012	12mm																																																																																					
016	16mm																																																																																					
020	20mm																																																																																					
025	25mm																																																																																					
032	32mm																																																																																					
040	40mm																																																																																					
050	50mm																																																																																					
063	63mm																																																																																					
080	80mm																																																																																					
100	100mm																																																																																					
Insert "/" to denote special																																																																																						
Function																																																																																						
D	Double acting																																																																																					
K	Double rod																																																																																					
R	Single acting spring return <sup>6</sup>																																																																																					
E	Single acting spring extend <sup>4</sup>																																																																																					
Piston/seal material																																																																																						
Without magnet <sup>2</sup>																																																																																						
C	No bumpers class 1 std. temp. seals																																																																																					
G	No bumpers class 5 fluorocarbon seals																																																																																					
B	With bumpers class 1 std. temp. seals <sup>7</sup>																																																																																					
With magnet <sup>5</sup>																																																																																						
(Not available on spring extend models)																																																																																						
N	No bumpers class 1 std. temp. seals																																																																																					
M	With bumpers class 1 std. temp. seals <sup>7</sup>																																																																																					
Piston rod & bearings																																																																																						
Extra low profile rod bearing																																																																																						
P	Chrome plated steel rod not available on 12-25mm bores																																																																																					
Y	Stainless steel rod standard on 12-25mm bores and spring extend models																																																																																					
Long rod bearing <sup>2</sup>																																																																																						
C	Chrome plated steel rod not available on 12-25mm bores																																																																																					
A	Stainless steel rod standard on 12-25mm bores and spring extend models																																																																																					
Stroke length																																																																																						
Specify stroke length required in mm.																																																																																						
	<table border="1" style="width: 100%; border-collapse: collapse;"> <tr><th colspan="2">Cylinder style</th></tr> <tr><td>C</td><td>Basic no mtgs.</td></tr> <tr><td>A</td><td>Double rear clevis <sup>1,3</sup></td></tr> <tr><td>B</td><td>Single rear clevis <sup>1,3</sup></td></tr> <tr><td>F</td><td>Foot mount <sup>1,4</sup></td></tr> <tr><td>J</td><td>Front flange <sup>1</sup></td></tr> <tr><td>H</td><td>Rear flange <sup>1,3</sup></td></tr> </table>	Cylinder style		C	Basic no mtgs.	A	Double rear clevis <sup>1,3</sup>	B	Single rear clevis <sup>1,3</sup>	F	Foot mount <sup>1,4</sup>	J	Front flange <sup>1</sup>	H	Rear flange <sup>1,3</sup>																																																																							
Cylinder style																																																																																						
C	Basic no mtgs.																																																																																					
A	Double rear clevis <sup>1,3</sup>																																																																																					
B	Single rear clevis <sup>1,3</sup>																																																																																					
F	Foot mount <sup>1,4</sup>																																																																																					
J	Front flange <sup>1</sup>																																																																																					
H	Rear flange <sup>1,3</sup>																																																																																					
								<table border="1" style="width: 100%; border-collapse: collapse;"> <tr><th colspan="2">Ports</th></tr> <tr><th colspan="2">Bssp</th></tr> <tr><td>G</td><td>Ported each end</td></tr> <tr><td>H</td><td>Both ports head</td></tr> <tr><td>J</td><td>Both ports cap</td></tr> <tr><td>K</td><td>Both ports cap face <sup>3</sup></td></tr> <tr><th colspan="2">NPTF</th></tr> <tr><td colspan="2">(Not available on 12-25mm bores)</td></tr> <tr><td>N</td><td>Ported each end</td></tr> <tr><td>M</td><td>Both ports head</td></tr> <tr><td>L</td><td>Both ports cap</td></tr> <tr><td>P</td><td>Both ports cap face <sup>3</sup></td></tr> </table>	Ports		Bssp		G	Ported each end	H	Both ports head	J	Both ports cap	K	Both ports cap face <sup>3</sup>	NPTF		(Not available on 12-25mm bores)		N	Ported each end	M	Both ports head	L	Both ports cap	P	Both ports cap face <sup>3</sup>																																																						
Ports																																																																																						
Bssp																																																																																						
G	Ported each end																																																																																					
H	Both ports head																																																																																					
J	Both ports cap																																																																																					
K	Both ports cap face <sup>3</sup>																																																																																					
NPTF																																																																																						
(Not available on 12-25mm bores)																																																																																						
N	Ported each end																																																																																					
M	Both ports head																																																																																					
L	Both ports cap																																																																																					
P	Both ports cap face <sup>3</sup>																																																																																					
								<table border="1" style="width: 100%; border-collapse: collapse;"> <tr><th colspan="2">Rod threads</th></tr> <tr><th colspan="2">Inch</th></tr> <tr><td>4</td><td>Male</td></tr> <tr><td>9</td><td>Female</td></tr> <tr><th colspan="2">Metric</th></tr> <tr><td>5</td><td>Male</td></tr> <tr><td>6</td><td>Female</td></tr> <tr><td>3</td><td>Special rod end</td></tr> </table>	Rod threads		Inch		4	Male	9	Female	Metric		5	Male	6	Female	3	Special rod end																																																														
Rod threads																																																																																						
Inch																																																																																						
4	Male																																																																																					
9	Female																																																																																					
Metric																																																																																						
5	Male																																																																																					
6	Female																																																																																					
3	Special rod end																																																																																					
<table border="1" style="width: 100%; border-collapse: collapse;"> <tr><th colspan="6">Maximum stroke lengths</th></tr> <tr> <th rowspan="2">Bore</th> <th colspan="2">ELP bearing version</th> <th colspan="2">Long bearing version</th> <th>Single acting version</th> </tr> <tr> <th>Min. stroke*</th> <th>Max. stroke</th> <th>Min. stroke*</th> <th>Max. stroke</th> <th>Standard stroke</th> </tr> <tr><td>12</td><td>3</td><td>50</td><td>4</td><td>200</td><td>5,10</td></tr> <tr><td>16</td><td>3</td><td>50</td><td>4</td><td>200</td><td>5,10</td></tr> <tr><td>20</td><td>3</td><td>50</td><td>8</td><td>200</td><td>5,10</td></tr> <tr><td>25</td><td>3</td><td>50</td><td>8</td><td>200</td><td>5,10</td></tr> <tr><td>32</td><td>3</td><td>100</td><td>9</td><td>320</td><td>5,10</td></tr> <tr><td>40</td><td>3</td><td>100</td><td>7</td><td>320</td><td>5,10</td></tr> <tr><td>50</td><td>3</td><td>100</td><td>13</td><td>320</td><td>10, 20, 25</td></tr> <tr><td>63</td><td>3</td><td>100</td><td>18</td><td>500</td><td>10, 20, 25</td></tr> <tr><td>80</td><td>3</td><td>150</td><td>23</td><td>500</td><td>10, 20, 25</td></tr> <tr><td>100</td><td>3</td><td>150</td><td>18</td><td>500</td><td>10, 20, 25</td></tr> </table>										Maximum stroke lengths						Bore	ELP bearing version		Long bearing version		Single acting version	Min. stroke*	Max. stroke	Min. stroke*	Max. stroke	Standard stroke	12	3	50	4	200	5,10	16	3	50	4	200	5,10	20	3	50	8	200	5,10	25	3	50	8	200	5,10	32	3	100	9	320	5,10	40	3	100	7	320	5,10	50	3	100	13	320	10, 20, 25	63	3	100	18	500	10, 20, 25	80	3	150	23	500	10, 20, 25	100	3	150	18	500	10, 20, 25
Maximum stroke lengths																																																																																						
Bore	ELP bearing version		Long bearing version		Single acting version																																																																																	
	Min. stroke*	Max. stroke	Min. stroke*	Max. stroke	Standard stroke																																																																																	
12	3	50	4	200	5,10																																																																																	
16	3	50	4	200	5,10																																																																																	
20	3	50	8	200	5,10																																																																																	
25	3	50	8	200	5,10																																																																																	
32	3	100	9	320	5,10																																																																																	
40	3	100	7	320	5,10																																																																																	
50	3	100	13	320	10, 20, 25																																																																																	
63	3	100	18	500	10, 20, 25																																																																																	
80	3	150	23	500	10, 20, 25																																																																																	
100	3	150	18	500	10, 20, 25																																																																																	
<p>* Minimum stroke for double rod cylinders: 12-63mm bores is 5mm 80 &amp; 100mm bores is 10mm</p>																																																																																						
<p><b>NOTES:</b></p> <ol style="list-style-type: none"> <li><sup>1</sup> Fitted with Mounting Accessory</li> <li><sup>2</sup> Magnetic Piston Option must be specified along with Long Rod Bearing option to achieve Long Bearing Version</li> <li><sup>3</sup> Porting Options 'K' and 'P' (Both ports cap face) not available with rear mountings</li> <li><sup>4</sup> Single Acting Spring Extend available with stainless steel rod only.</li> <li><sup>5</sup> For information regarding sensors, please refer to Electronic Sensors section.</li> <li><sup>6</sup> Spring return is short bearing version only.</li> <li><sup>7</sup> Bumper only available on head end for spring extend. Bumper only available on cap end for spring return.</li> </ol>																																																																																						
<p><b>Sensors</b>          For sensors see page B339. </p>																																																																																						

For ordering purposes, when special options or common modifications are requested, the factory will assign a sequential part number in place of the model number.

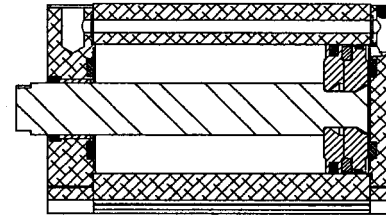
**Extra Low Profile Version**

The Extra Low Profile Bearing Version provides the most compact cylinder possible. This bearing version is recommended for applications that require shorter stroke lengths or that are light duty. It is available in stroke lengths up to 50mm in the smaller bore sizes and 150 mm in the larger bore sizes.

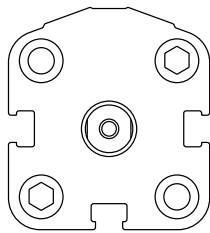


**Long Bearing Version**

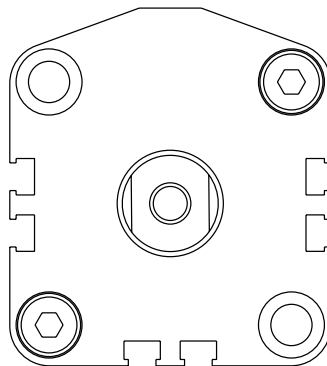
The Long Bearing Version provides additional rod bearing and piston bearing support and also includes a magnetic piston with bearing strip for greater piston bearing support. This Long Bearing version is required for stroke lengths beyond the Extra Low Profile maximum stroke length and is recommended for higher duty applications.



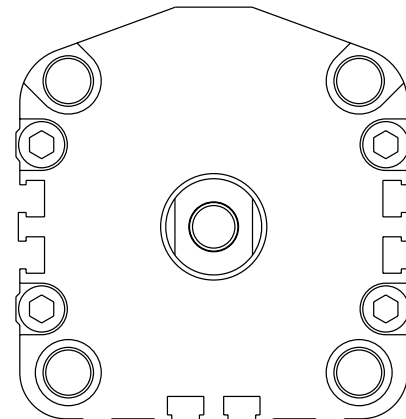
**Front profiles by bore size**



**Bores 12-25mm**



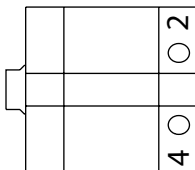
**Bores 32-50mm**



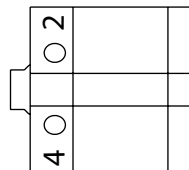
**Bores 63-100mm**

**Porting configurations**

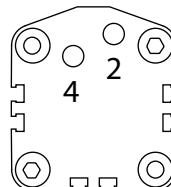
**Both Ports Cap**



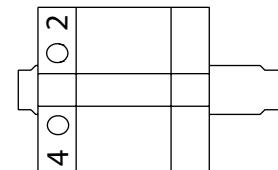
**Both Ports Head\***



**Both Ports Cap Face**



**Double Rod Both Ports One End**



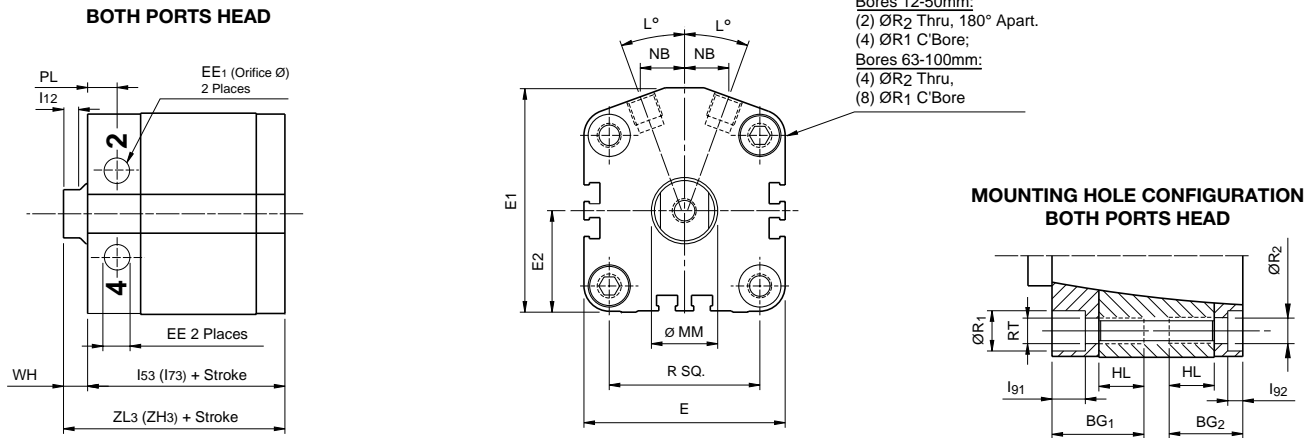
To retract cylinder apply air to port #2  
 To extend cylinder apply air to port #4

For a double rod cylinder, pressurize port #2 to retract the piston rod into the head containing the ports.

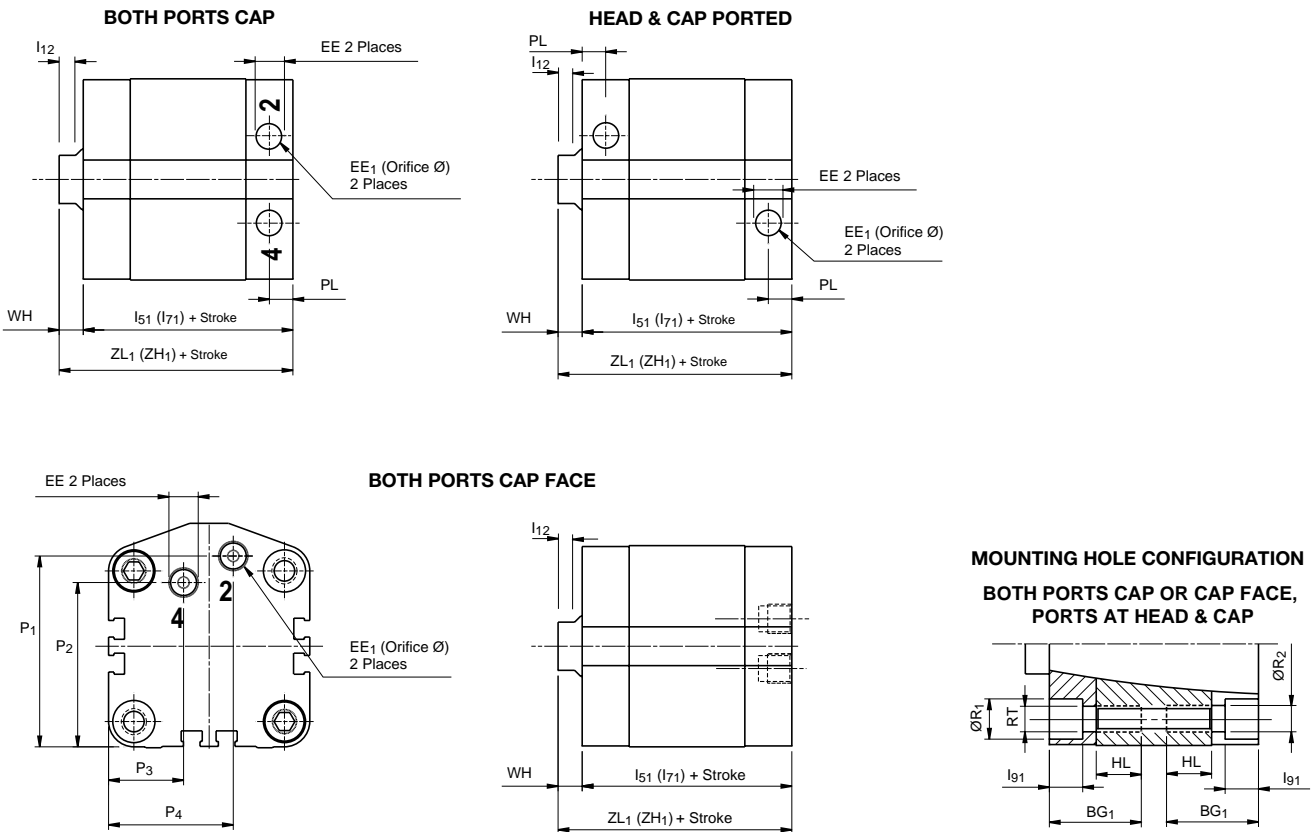
\* For 12mm to 16mm bores, although the location of ports #2 and #4 are reversed, porting functions shown above apply.

**B**  
 Compact Cylinders  
 Actuator Products  
 P1Q Series  
 P1M Series  
 LP/LPM Series

**All porting configurations**



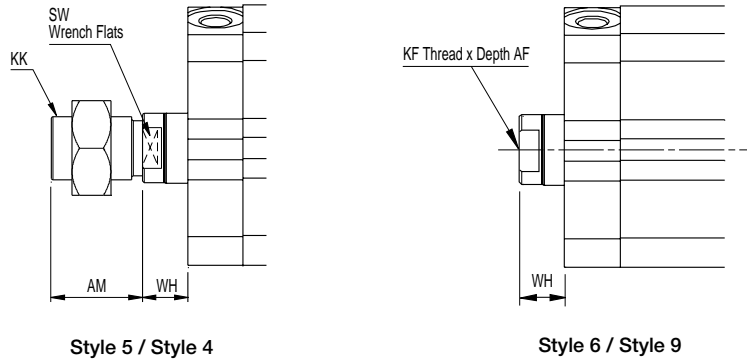
**Optional porting configurations**



Note: Magnetic Dimensions in Parentheses

For special rod ends, specify “3” in model number and give desired WH, AM or AF and KK or KF (length dimensions in millimeters).

Jam nut is supplied when cylinder is ordered with Style 4 or Style 5 rod end.



**B**  
 Compact Cylinders  
 Actuator Products  
 P1Q Series  
 P1M Series  
 LP/MP Series

Bore size	Rod	AF		AM		KF		KK		WH		I12	SW
		Style 6	Style 9	Style 5	Style 4	Style 6	Style 9	Style 5	Style 4	Style 4, 9 & 6	Style 5		
12	6	6	5.4	9	8	M3x0.5	#8-32	M5x0.8	#8-32	3.5	5	3	5
16	8	8	5.4	10	8	M4x0.7	#8-32	M6x1.0	#8-32	3.5	5.5	3	7
20	10	7	7	12	8	M5x0.8	#10-32	M8x1.25	#10-32	4.5	6.5	4	9
25	10	12	10	15	9.5	M6x1.0	1/4-28	M10x1.25	1/4-28	5	7.5	4	9
32	12	13	13.3	20.5	12.7	M8x1.25	5/16-24	M12x1.25	5/16-24	7	8	5	10
40	16	13	18.3	20.5	16	M8x1.25	3/8-24	M14x1.5	3/8-24	7	8	5.5	13
50	20	15	17.6	26	19.5	M10x1.5	1/2-20	M18x1.5	1/2-20	8	7.5	5.5	16
63	20	15	17.6	26	19.5	M10x1.5	1/2-20	M18x1.5	1/2-20	8	7.5	5.5	16
80	25	21	24.3	32.5	25.5	M16x2.0	5/8-18	M22x1.5	5/8-18	10	11	6	21
100	25	27	27	32.5	28.5	M20x2.5	3/4-16	M22x1.5	3/4-16	12	11	6	21

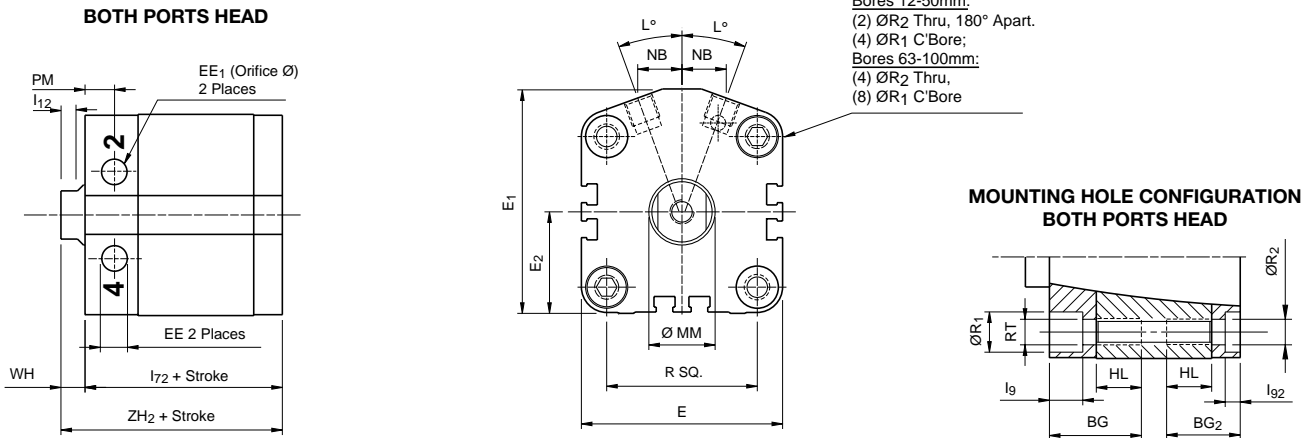
Bore size	BG1	BG2	E	E1	E2	EE		HL	I91	I92	L	NB	P1	P2	
						BSPP	NPTF								
12	16.5	11.5	27	31	14	M5	-	1	8	3.5	3.5	26	5.5	25	9.5
16	17	12	31.5	35	16	M5	-	1.2	8	4	4	20	7	29.5	9.5
20	19	14.5	38.5	42.5	19.5	M5	-	1.3	10	4.5	4.5	20	8	35	13.5
25	21	15	41.5	45.5	21	M5	-	1.8	10	5	5	20	8.5	38.5	14
32	25	17	48	56	24	G1/8	1/8	2.7	10	4	4	25	9.5	45.5	16.5
40	25.5	17.5	56	62.5	28	G1/8	1/8	3.4	10	4	4	20	11.5	51	12
50	29.5	23.5	67	74.5	33.5	G1/8	1/8	4	14	5	5	20	14.5	63	54.5
63	34	28	82	86	40.5	G1/8	1/8	5	18	6.5	8	20	17.5	73.5	64
80	43	34	98	106.5	48.5	G1/4	1/4	5.5	22	8.5	10	20	25.5	92	79.5
100	44	35.5	119	126.5	59.5	G1/4	1/4	6	22	8.5	10	20	31.5	111.5	97.5

Bore size	P3	P4	PL	PM	R	R1	R2*	RT	Non-magnetic				Magnetic				ELP Max stroke
									I51	I53	ZL1	ZL3	I71	I73	ZH1	ZH3	
12	13.5	13.5	5	8.5	15.5	5.8	3.5	M4	22	17	25.5	20.5	33	28	36.5	31.5	50
16	15.5	18	5	9	20	7.4	3.5	M4	23.5	18.5	27	22	34.5	29.5	38	33	50
20	24.5	21.5	5	9	25.5	9	5.5	M6	24	19.5	28.5	24	34	29.5	38.5	34	50
25	27.5	24.5	7	9	28	9	5.5	M6	28.5	22.5	33.5	27.5	38.5	32.5	43.5	37.5	50
32	31.5	28.5	8	10.5	34	10.5	5.5	M6	36.5	28.5	43.5	35.5	46	37.5	53	44.5	100
40	23	33	7.5	9.5	40	10.5	5.5	M6	38.5	29.5	44.5	36.5	47.5	39.5	54.5	46.5	100
50	25	41.5	8	10	50	13.5	7.5	M8	38.5	32.5	46.5	40.5	47.5	41.5	55.5	49.5	100
63	30	53	8	11	60	13.5	9.5	M10	39.5	34	47.5	42	51.5	46	59.5	54	100
80	33	69.5	11.5	11.5	77	16.5	11	M12	52	43	62	53	62.5	53.5	72.5	63.5	150
100	36.5	87.5	12	12	94	17	11	M12	57	48.5	69	60.5	71.5	63	83.5	75	150

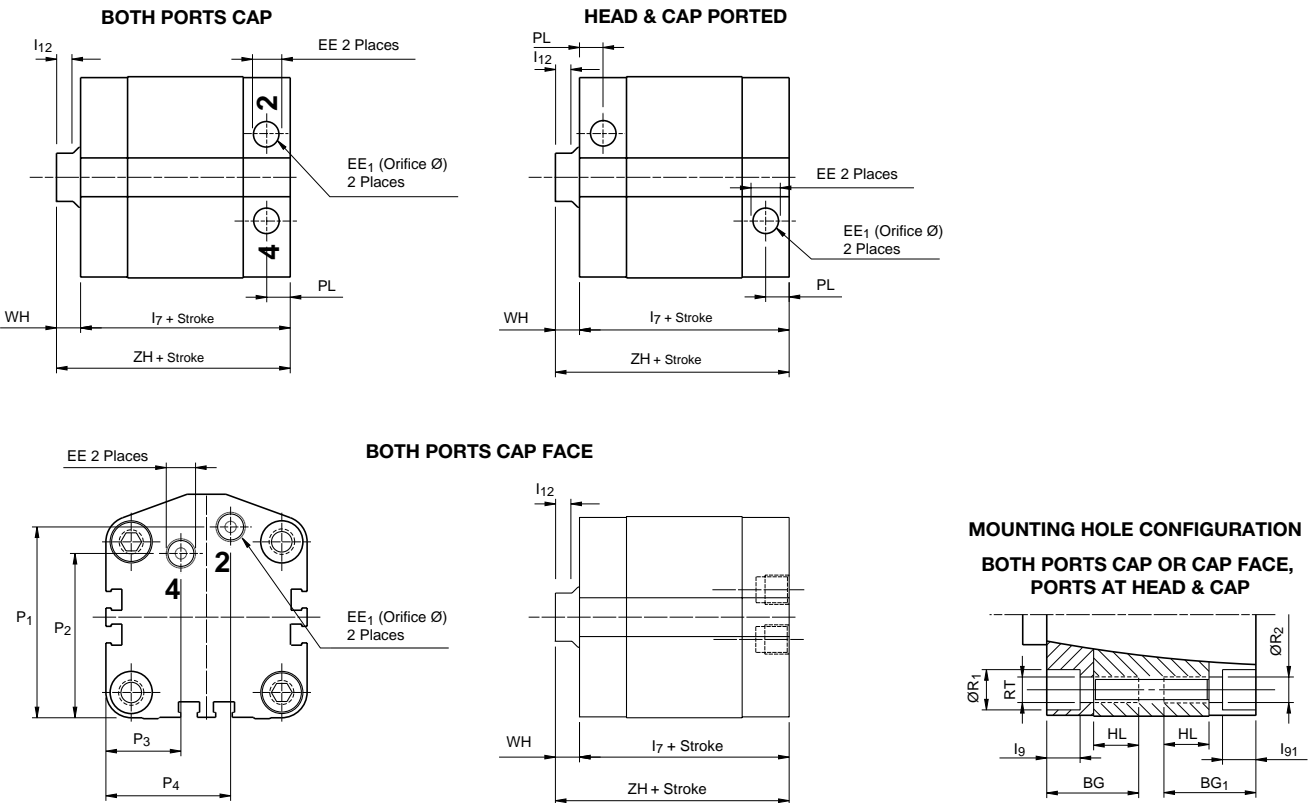
\*\*R2 thru” not available on 12mm and 16mm bores.



**All porting configurations**



**Optional porting configurations**

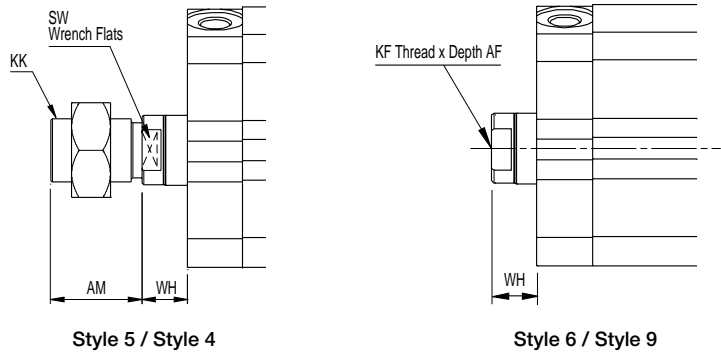


Note: Magnetic Dimensions in Parentheses

For special rod ends, specify “3” in model number and give desired WH, AM or AF and KK or KF (length dimensions in millimeters).

Jam nut is supplied when Style 4 or Style 5 rod end is specified.

**Note:** Magnetic piston and longer rod bearing are standard with Long Bearing Version.



**B**  
**Compact Cylinders**  
**Actuator Products**  
**P1Q Series**  
**P1M Series**  
**LP/LPM Series**

Bore size	Rod MM	AF		AM		KF		KK		WH		I12	SW
		Style 6	Style 9	Style 5	Style 4	Style 6	Style 9	Style 5	Style 4	Style 4, 9 & 6	Style 5		
12	6	6	5.4	9	8	M3x0.5	#8-32	M5x0.8	#8-32	3.5	5	3	5
16	8	8	5.4	10	8	M4x0.7	#8-32	M6x1.0	#8-32	3.5	5.5	3	7
20	10	7	7	12	8	M5x0.8	#10-32	M8x1.25	#10-32	4.5	6.5	4	9
25	10	12	10	15	9.5	M6x1.0	1/4-28	M10x1.25	1/4-28	5	7.5	4	9
32	12	13	13.3	20.5	12.7	M8x1.25	5/16-24	M12x1.25	5/16-24	7	8	5	10
40	16	13	18.3	20.5	16	M8x1.25	3/8-24	M14x1.5	3/8-24	7	8	5.5	13
50	20	15	17.6	26	19.5	M10x1.5	1/2-20	M18x1.5	1/2-20	8	7.5	5.5	16
63	20	15	17.6	26	19.5	M10x1.5	1/2-20	M18x1.5	1/2-20	8	7.5	5.5	16
80	25	21	24.3	32.5	25.5	M16x2.0	5/8-18	M22x1.5	5/8-18	10	11	6	21
100	25	27	27	32.5	28.5	M20x2.5	3/4-16	M22x1.5	3/4-16	12	11	6	21

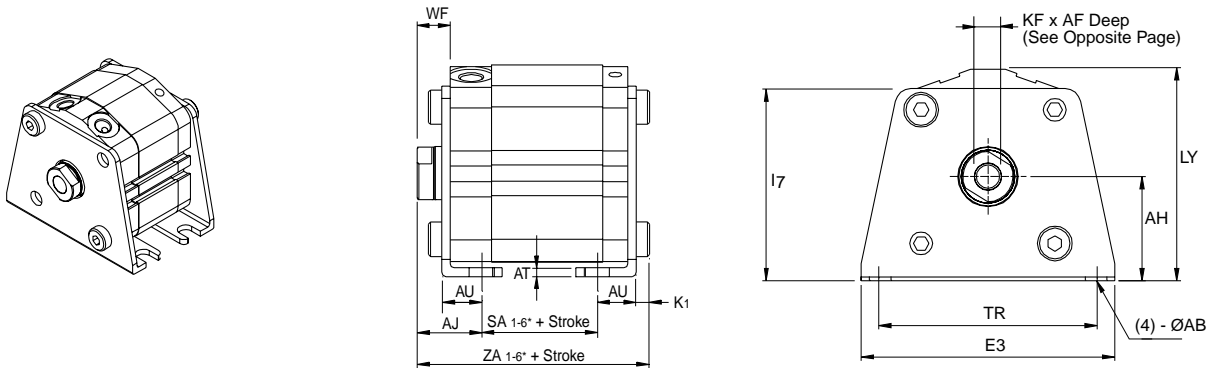
Bore size	EE															
	BG	BG1	BG2	E	E1	E2	BSPP	NPTF	EE1	HL	l7	l72	l9	l91	l92	L
12	21.5	16.5	11.5	27	31	14	M5	–	1	8	38.5	33.5	3.5	3.5	3.5	26
16	22	17	12	31.5	35	16	M5	–	1.2	8	40.5	35.5	5.5	4	4	20
20	24.5	19	14.5	38.5	42.5	19.5	M5	–	1.3	10	40	35.5	10.5	4.5	4.5	20
25	24.5	21	15	41.5	45.5	21	M5	–	1.8	10	42.5	36.5	10.5	5	5	20
32	27.5	25	17	48	56	24	G1/8	1/8	2.7	10	48	40	14	4	4	25
40	27.5	25.5	17.5	56	62.5	28	G1/8	1/8	3.4	10	49.5	41.5	14	4	4	20
50	31.5	29.5	23.5	67	74.5	33.5	G1/8	1/8	4	14	49.5	43.5	13	5	5	20
63	37	34	28	82	86	40.5	G1/8	1/8	5	18	54.5	49	6.5	6.5	8	20
80	43	43	34	98	106.5	48.5	G1/4	1/4	5.5	22	62.5	53.5	9.5	8.5	10	20
100	44	44	35.5	119	126.5	59.5	G1/4	1/4	6	22	71.5	63	9.5	8.5	10	20

Bore size	Piston Rod End												Min stroke	Max stroke
	NB	P1	P2	P3	P4	PM	R	R1	R2*	RT	ZH	ZH2		
12	5.5	25	9.5	13.5	13.5	8.5	15.5	5.8	3.5	M4	42	37	4	200
16	7	29.5	9.5	15.5	18	9	20	7.4	3.5	M4	44	39	4	200
20	8	35	13.5	24.5	21.5	9	25.5	9	5.5	M6	44.5	40	8	200
25	8.5	38.5	14	27.5	24.5	9	28	9	5.5	M6	47.5	41.5	8	200
32	9.5	45.5	16.5	31.5	28.5	10.5	34	10.5	5.5	M6	55	47	9	320
40	11.5	51	12	23	33	9.5	40	10.5	5.5	M6	56.5	48.5	7	320
50	14.5	63	54.5	25	41.5	10	50	13.5	7.5	M8	57.5	51.5	13	320
63	17.5	73.5	64	30	53	11	60	13.5	9.5	M10	62.5	57	18	500
80	25.5	92	79.5	33	69.5	11.5	77	16.5	11	M12	72.5	62.5	23	500
100	31.5	111.5	97.5	36.5	87.5	12	94	17	11	M12	83.5	75	18	500

\* “R2 thru” not available on 12mm and 16mm bores.



**Foot Mounting – Style F**



Please note bearing, piston and porting configuration for selecting proper dimensions.

Bore size	AB	AH	AJ	AT	AU	E3	l7	K1	LY	TR	Part number
12	4.5	17	19.5	2	8	44	29.5	2.8	34	35	<b>P1M-4DMF</b>
16	4.5	19	19.5	2	8	48	33.5	2.8	38	39	<b>P1M-4FMF</b>
20	6.5	24	20.5	3.2	9.2	62	42	4	47	50	<b>P1M-4HMF</b>
25	6.5	26	22.5	3.2	10.7	66	46	4	50.5	52	<b>P1M-4JMF</b>
32	6.5	30	25	3.2	11.2	71	54	4	62	60	<b>P1M-4KMF</b>
40	6.5	33	25	3.2	11.2	78	61	4	67.5	67	<b>P1M-4LMF</b>
50	9	39	29.5	3.2	14.7	95	72.5	5	80	82	<b>P1M-4MMF</b>
63	11	46	31	3.2	16.2	113	32	5	91.5	100	<b>P1M-4NMF</b>
80	13	59	35	4.5	19.5	140	42	7	117	118	<b>P1M-4PMF</b>
100	13	71	39	6	23	162	53	7	138	139	<b>P1M-4QMF</b>

Bore size	ELP version non-magnetic					ELP version magnetic					Long bearing version					
	Both ports head		Optional porting		Min. ** stroke	Both ports head		Optional porting		Min.** stroke	Both ports head		Optional porting		Min.** stroke	Style 5 end length adjustment
	SA1	ZA1*	SA2*	ZA2*		SA3	ZA3*	SA4	ZA4*		SA5	ZA5*	SA6	ZA6*		
12	5	35.3	10	40.3	15	16	46.3	21	51.3	4	21.5	51.8	26.5	56.8	4	1.5
16	6.5	36.8	11.5	41.8	14	17.5	47.8	22.5	52.8	4	23.5	53.8	28.5	58.8	4	2
20	7.5	41.2	12	45.7	18	17.5	51.2	22	55.7	8	23.5	57.2	28	61.9	8	2
25	7.5	44.7	13.5	50.7	18	17.5	54.7	23.5	60.7	8	21.5	58.7	27.5	64.7	8	2.5
32	12.5	52.5	20.5	60.7	18	21.5	61.7	29.5	69.9	9	24	64	32	72.2	9	1
40	13.5	53.7	21.5	61.9	17	23.5	63.7	31.5	71.9	7	25.5	65.7	33.5	73.9	7	1
50	9.5	58.7	15.5	64.9	22	18.5	67.7	24.5	73.9	13	20.5	69.7	26.5	75.9	13	-0.5
63	8	60.2	13.5	65.7	30	20	72.2	25.5	77.7	18	23	75.2	28.5	80.7	18	-0.5
80	13	74.5	22	83.5	33	23.5	85	32.5	94	23	23.5	85	32.5	94	23	1
100	14.5	83.5	23	92	33	29	98	37.5	106.5	18	29	98	37.5	106.5	18	-1

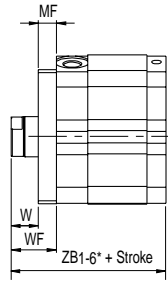
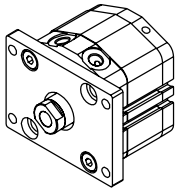
\* For strokes less than 'min. stroke', only one bracket will be supplied at rod end.

\*\* Dimensions shown apply only for rod end styles 4, 6 and 9. For rod end style 5, please include the above length adjustment.

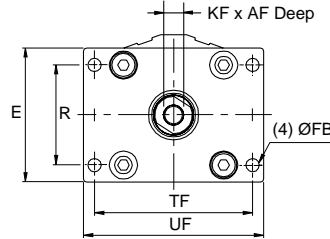
**Note:** Foot bracket mounting is not available with cap face porting

**B**  
 Compact Cylinders  
 Actuator Products  
 P1Q Series  
 P1M Series  
 LP/LPM Series

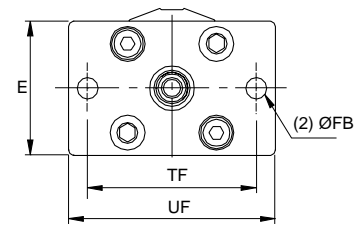
**Front Flange Mounting – Style J**



**Bores 32-100mm**



**Bores 12-25mm**



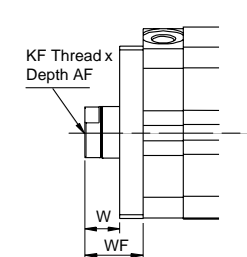
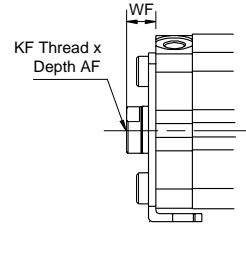
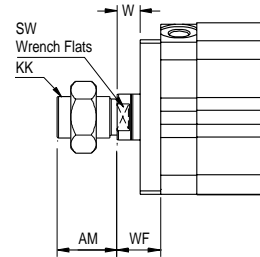
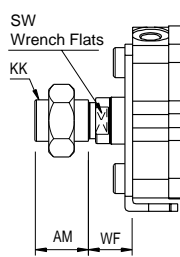
Please note bearing, piston and porting configuration for selecting proper dimensions.

Bore size	ELP version Non-magnetic						ELP version Magnetic				Long bearing Version		Style 5 rod end length adjustment	Part number
	E	FB	MF	R	TF	UF	Both ports head	Optional Porting	Both ports head	Optional porting	Both ports head	Optional porting		
12	25	4.5	5.5	-	45	55	ZB1*	ZB2*	ZB3*	ZB4*	ZB5*	ZB6*	1.5	<b>P1M-4DMB</b>
16	30	4.5	5.5	-	45	55	32	37	43	48	49	54	2	<b>P1M-4FMB</b>
20	39	6.5	8	-	50.5	62	34	38.5	44	48.5	50	54.5	2	<b>P1M-4HMB</b>
25	42	6.5	8	-	53	65	37.5	43.5	47.5	53.5	51.5	57.5	2.5	<b>P1M-4JMB</b>
32	48	5.5	8	34	58	68	45.5	53.5	54.5	62.5	57	65	1	<b>P1M-4KMB</b>
40	54	5.5	8	40	66	76	46.5	54.5	56.5	64.5	58.5	66.5	1	<b>P1M-4LMB</b>
50	67	6.5	9	50	79	90	50.5	56.5	59.5	65.5	61.5	67.5	-0.5	<b>P1M-4MMB</b>
63	80	9	9	60	97	112	52	57.5	64	69.5	67	72.5	-0.5	<b>P1M-4NMB</b>
80	99	11	11	77	116	134	63	72	73.5	82.5	73.5	82.5	1	<b>P1M-4PMB</b>
100	117	11	11	94	137	154	70.5	79	85	93.5	85	93.5	-1	<b>P1M-4QMB</b>

\* Dimensions shown apply only for Rod End Styles 4, 6 and 9. For Rod End Style 5, please include the above length adjustment.

**Rod End Front Mounts F & J**

For special rod threads, specify "3" in model number and give desired AM or AF, WF and KK or KF.



**Foot Mounting - Style F**

**Foot Flange Mounting - Style J**

**Foot Mounting - Style F**

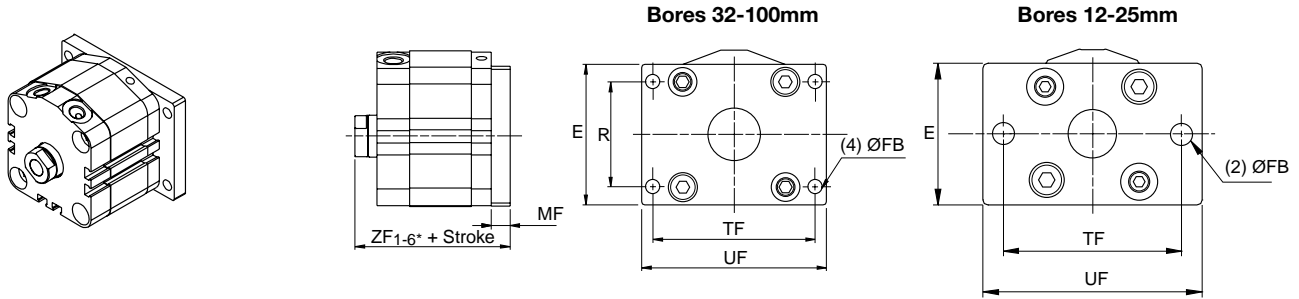
**Foot Flange Mounting - Style J**

Bore size	AF		AM		KF		KK		W		WF		SW
	Style 9	Style 6	Style 4	Style 5	Style 9	Style 6	Style 4	Style 5	Styles 9, 6, 4	Style 5	Styles 9, 6, 4	Style 5	
12	5.4	6	8	9	#8-32	M3X0.5	#8-32	M5X0.8	8	9.5	13.5	15	5
16	5.4	8	8	10	#8-32	M4x0.7	#8-32	M6x1.0	8	10	13.5	15.5	7
20	7	7	8	12	#10-32	M5x0.8	#10-32	M8x1.25	6.5	8.5	14.5	16.5	9
25	10	12	9.5	15	1/4-28	M6x1.0	1/4-28	M10x1.25	7	9.5	15	17.5	9
32	13.3	13	12.7	20.5	5/16-24	M8x1.25	5/16-24	M12x1.25	9	10	17	18	10
40	18.3	13	16	20.5	3/8-24	M8x1.25	3/8-24	M14x1.5	9	10	17	18	13
50	17.6	15	19.5	26	1/2-20	M10x1.5	1/2-20	M18x1.5	9	8.5	18	17.5	16
63	17.6	15	19.5	26	1/2-20	M10x1.5	1/2-20	M18x1.5	9	8.5	18	17.5	16
80	24.3	21	25.5	32.5	5/8-18	M16x2.0	5/8-18	M22x1.5	9	10	20	21	21
100	27	27	28.5	32.5	3/4-16	M20x2.5	3/4-16	M22x1.5	11	10	22	21	21





**Rear Flange Mounting – Style H**



Please note bearing, piston and porting configuration for selecting proper dimensions.

Bore size	E	FB	MF	R	TF	UF	Part number
12	25	4.5	5.5	–	45	55	<b>P1M-4DMB</b>
16	30	4.5	5.5	–	45	55	<b>P1M-4FMB</b>
20	39	6.5	8	–	50.5	62	<b>P1M-4HMB</b>
25	42	6.5	8	–	53	65	<b>P1M-4JMB</b>
32	48	5.5	8	34	58	68	<b>P1M-4KMB</b>
40	54	5.5	8	40	66	76	<b>P1M-4LMB</b>
50	67	6.5	9	50	79	90	<b>P1M-4MMB</b>
63	80	9	9	60	97	112	<b>P1M-4NMB</b>
80	99	11	11	77	116	134	<b>P1M-4PMB</b>
100	117	11	11	94	137	154	<b>P1M-4QMB</b>

Bore size	ELP version non-magnetic		ELP version magnetic		Long bearing version		Style 5 rod end length adjustment
	Both ports head ZF1*	Optional porting ZF2*	Both ports head ZF3*	Optional porting ZF4*	Both ports head ZF5*	Optional porting ZF6*	
12	26	31	37	42	42.5	47.5	1.5
16	27.5	32.5	38.5	43.5	44.5	49.5	2
20	32	36.5	42	46.5	48	52.5	2
25	35.5	41.5	45.5	51.5	49.5	55.5	2.5
32	43.5	51.5	52.5	60.5	55	63	1
40	44.5	52.5	54.5	62.5	56.5	64.5	1
50	49.5	55.5	58.5	64.5	60.5	66.5	-0.5
63	51	57.5	63	68.5	66	71.5	-0.5
80	64	73	74.5	83.5	74.5	83.5	1
100	71.5	80	86	94.5	86	94.5	-1

**Note:** Rear Flange mounting is not available with cap face porting.

\* Dimensions shown apply only for Rod End Styles 4, 6 and 9.

For Rod End Style 5, please include the above length adjustment.

**B**

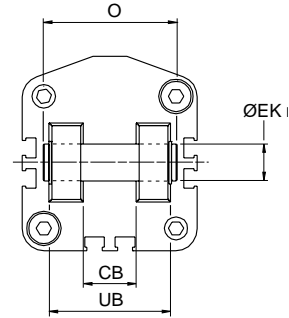
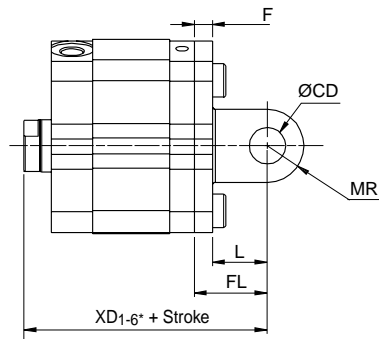
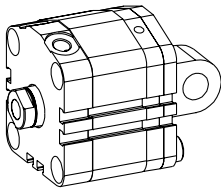
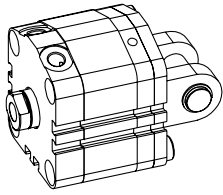
Compact Cylinders  
 Actuator Products

P1Q  
 Series

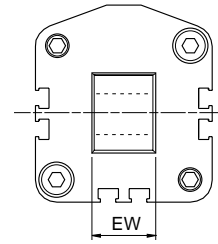
P1M  
 Series

LP/LPM  
 Series

**Rear Clevis Mounts – Styles A & B**



**Style A**



**Style B**

Please note bearing, piston and porting configuration for selecting proper dimensions.

Bore size	CB	CD/EK	EW	F	FL	L	MR	O	UB	Double clevis kit part number	Single clevis kit part number**
12	5	5	5	4	14	10	6.5	14.5	10	<b>P1M-4DMT</b>	<b>P1M-4DME</b>
16	6.5	5	6.5	4	15	11	6.5	16.5	12	<b>P1M-4FMT</b>	<b>P1M-4FME</b>
20	8	8	8	5	18	13	10	21	16	<b>P1M-4HMT</b>	<b>P1M-4HME</b>
25	10	10	10	5	20	15	11	25.5	20	<b>P1M-4JMT</b>	<b>P1M-4JME</b>
32	18	10	18	5	20	15	10	41.5	36	<b>P1M-4KMT</b>	<b>P1M-4KME</b>
40	18	10	18	6	22	16	10	41.5	36	<b>P1M-4LMT</b>	<b>P1M-4LME</b>
50	22	14	22	7	28	21	14	50.5	44	<b>P1M-4MMT</b>	<b>P1M-4MME</b>
63	22	14	22	8	30	22	14	50.5	44	<b>P1M-4NMT</b>	<b>P1M-4NME</b>
80	28	18	28	10	38	28	18	64	56	<b>P1M-4PMT</b>	<b>P1M-4PME</b>
100	32	22	32	13	45	32	22	72	64	<b>P1M-4QMT</b>	<b>P1M-4QME</b>

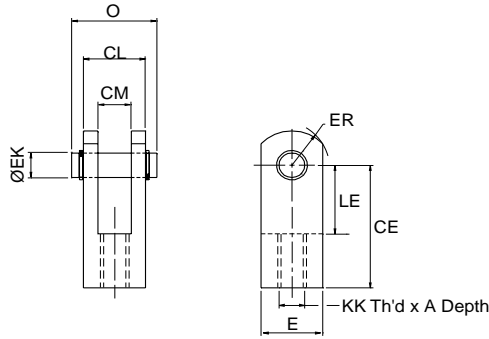
Bore size	ELP version non-magnetic		ELP version magnetic		Long bearing version		Style 5 rod end length adjustment
	Both ports head XD1*	Optional porting XD2*	Both ports head XD3*	Optional porting XD4*	Both ports head XD5*	Optional porting XD6*	
12	34.5	39.5	45.5	50.5	51	56	1.5
16	37	42	48	53	54	59	2
20	42	46.5	52	56.5	58	62.5	2
25	47.5	53.5	57.5	63.5	61.5	67.5	2.5
32	55.5	63.5	64.5	72.5	67	75	1
40	59.5	66.5	68.5	76.5	70.5	78.5	1
50	68.5	74.5	77.5	83.5	79.5	85.5	-0.5
63	72	78.5	84	89.5	87	92.5	-0.5
80	91	100	101.5	110.5	101.5	110.5	1
100	105.5	114	120	128.5	120	128.5	-1

\* Dimensions shown apply only for Rod End Styles 4, 6 and 9. For Rod End Style 5, please include the above length adjustment.

\*\* Single Clevis Kit can be used as mounting bracket for double clevis cylinders. Double Clevis Kit can be used as mounting kit for single clevis cylinders.

Note: Rear Clevis mounts are not available with cap face port.

**Rod Clevis**



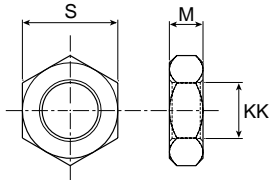
**Metric**

Bore size	A	E	CE	KK	ER	LE	EK (h9)	CM	CL	O	Part number
12	7	9.5	16	M5x0.8	6.5	7	5	5	9.5	14.5	<b>P1M-4DRC</b>
16	11	11	21	M6x1.0	8	10	5	6.5	11	16.5	<b>P1M-4FRC</b>
20	8.5	16	25	M8x1.25	10.5	11.5	8	8	16	21	<b>P1M-4HRC</b>
25	10.5	19	30	M10x1.25	13	14	10	10	19	25.5	<b>P1M-4JRC</b>
32	16	22 Dia.	30	M12x1.25	12	14	10	18	36	41.5	<b>P1M-4KRC</b>
40	16	22 Dia.	30	M14x1.5	12	14	10	18	36	41.5	<b>P1M-4LRC</b>
50/63	20	28 Dia.	40	M18x1.5	16	20	14	22	44	50.5	<b>P1M-4MRC</b>
80	23	38 Dia.	50	M22x1.5	21	27	18	28	56	64	<b>P1M-4PRC</b>
100	24	44 Dia.	55	M22x1.5	24	31	22	32	64	72	<b>P1M-4QRC</b>

**Inch**

Bore size	A	E	CE	KK	ER	LE	EK (inch) +0, -0.002	CM	CL (inch)	O (inch)	Part number
12	6	9.5	16	#8-32	6.5	7	3/16	5	0.375	0.563	<b>P1M-4DRC-T</b>
16	6	11	21	#8-32	8	10	3/16	6.5	0.437	0.625	<b>P1M-4FRC-T</b>
20	6	16	25	#10-32	10.5	11.5	5/16	8	0.625	0.875	<b>P1M-4HRC-T</b>
25	8	19	30	1/4-28	13	14	3/8	10	0.750	1.031	<b>P1M-4JRC-T</b>
32	16	22 Dia.	30	5/16-24	12	14	3/8	18	1.437	1.687	<b>P1M-4KRC-T</b>
40	16	22 Dia.	30	3/8-24	12	14	3/8	18	1.437	1.687	<b>P1M-4LRC-T</b>
50/63	20	28 Dia.	40	1/2-20	16	20	1/2	22	1.750	2.125	<b>P1M-4MRC-T</b>
80	23	38 Dia.	50	5/8-18	21	27	3/4	28	2.250	2.625	<b>P1M-4PRC-T</b>
100	24	44 Dia.	55	3/4-16	24	31	7/8	32	2.500	2.875	<b>P1M-4QRC-T</b>

**Jam Nuts**



**Style 4**

Bore size	KK	M	S	Part number
12	#8-32	1/8	11/32	<b>L073800080</b>
16	#8-32	1/8	11/32	<b>L073800080</b>
20	#10-32	1/8	3/8	<b>L073800100</b>
25	1/4-28	5/32	7/16	<b>L073800200</b>
32	5/16-24	3/16	1/2	<b>L073800300</b>
40	3/8-24	7/32	9/16	<b>L073800400</b>
50	1/2-20	5/16	3/4	<b>L073800600</b>
63	1/2-20	5/16	3/4	<b>L073800600</b>
80	5/8-18	3/8	15/16	<b>L073800800</b>
100	3/4-16	27/64	1-1/8	<b>L073800900</b>

Dimensions in inches

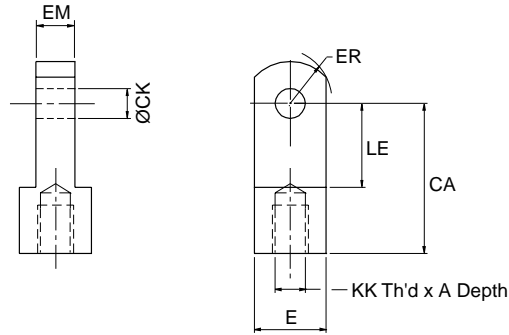
**Style 5**

Bore size	KK	M	S	Part number
12	M5x0.8	2.7	18	<b>L075540005</b>
16	M6x1.0	3.2	10	<b>L075540006</b>
20	M8x1.25	4	13	<b>L075540008</b>
25	M10x1.25	5	17	<b>L075540010</b>
32	M12x1.25	6	19	<b>L075540012</b>
40	M14x1.5	7	22	<b>L075540014</b>
50	M18x1.5	8	27	<b>L075540018</b>
63	M18x1.5	8	27	<b>L075540018</b>
80	M22x1.5	11	32	<b>L075540022</b>
100	M22x1.5	11	32	<b>L075540022</b>

Dimensions in mm



**Rod Eye**



**Metric**

Bore size	A	E	CA	KK	ER	LE	CK	EM	Part number
12	7	9.5 Sq.	16	M5x0.8	6.5	7	5	5	<b>P1M-4DRE</b>
16	8	11 Sq.	25	M6x1.0	8	14	5	6.5	<b>P1M-4FRE</b>
20	8.5	16 Sq.	25	M8x1.25	10.5	11.5	8	8	<b>P1M-4HRE</b>
25	10.5	19 Sq.	30	M10x1.25	13	14	10	10	<b>P1M-4JRE</b>
32	15	22 Dia.	30	M12x1.25	12	14	10	18	<b>P1M-4KRE</b>
40	14	22 Dia.	30	M14x1.5	12	14	10	18	<b>P1M-4LRE</b>
50/63	18.5	28 Dia.	40	M18x1.5	16	20	14	22	<b>P1M-4MRE</b>
80	22	38 Dia.	50	M22x1.5	21	27	18	28	<b>P1M-4PRE</b>
100	22	44 Dia.	55	M22x1.5	24	31	22	32	<b>P1M-4QRE</b>

**Inch**

Bore size	A	E	CA	KK	ER	LE	CK (inch)	EM	Part number
12	6	9.5 Sq.	16	#8-32	6.5	7	3/16	5	<b>P1M-4DRE-T</b>
16	6	11 Sq.	25	#8-32	8	14	3/16	6.5	<b>P1M-4FRE-T</b>
20	6	16 Sq.	25	#10-32	10.5	11.5	5/16	8	<b>P1M-4HRE-T</b>
25	8	19 Sq.	30	1/4-28	13	14	3/8	10	<b>P1M-4JRE-T</b>
32	12	22 Dia.	30	5/16-24	12	14	3/8	18	<b>P1M-4KRE-T</b>
40	11	22 Dia.	30	3/8-24	12	14	3/8	18	<b>P1M-4LRE-T</b>
50/63	18	28 Dia.	40	1/2-20	16	20	1/2	22	<b>P1M-4MRE-T</b>
80	21	38 Dia.	50	5/8-18	21	27	3/4	28	<b>P1M-4PRE-T</b>
100	21	44 Dia.	55	3/4-16	24	31	7/8	32	<b>P1M-4QRE-T</b>

**B**  
 Compact Cylinders  
 Actuator Products  
 P1Q Series  
 P1M Series  
 LP/LPM Series