

Customer	Date	15/11/2018
Contact	Project	
Phone number	Project no.	
Email		

NSCE 65-200/220/P26PCC4

Operating data

Pumpe type	Single head pump	Fluid	Water
No. of pumps / Reserve	1 / 0	Operating temperature t A	°C 4
Nominal flow	m ³ /h 135	pH-value at t A	7
Nominal head	m 41	Density at t A	kg/dm ³ 1
Static head	m 0	Kin. viscosity at t A	mm ² /s 1.569
Inlet pressure	bar 0.098	Vapor pressure at t A	bar 0.00789
Environmental temperature	°C 20	Solids	0
Available system NPSH	m 0	Altitude	m 1000

Pump data

Make	Lowara	Nominal	m ³ /h 135.6 (135.6)
Speed	1/min 3500	Flow Max-	m ³ /h 150
Number of stages	1	Min-	m ³ /h 33
Max. casing pressure	bar	Nominal	m 41.4
Max. working pressure	bar 5.9	Head at Qmax	m 35.5
Head H(Q=0)	m 59	at Qmin	m 59.1
Weight	kg	Shaft power	kW 21 (21)
	Max. mm 173	Max. shaft power	kW 21.6
Impeller R designed	mm 173	Efficiency	% 73.17
	Min. mm 173	NPSH 3%	m
Suction nozzle	DN 80 PN 16 EN1092-2 (NSC-LNE)	Discharge nozzle	DN 65 PN 16 EN1092-2 (NSC-LNE)

Pump Materials

Volute casing	Cast iron
Casing cover	Cast iron
impeller	Cast iron
Shaft	Stainless steel
Wear ring	Stainless steel
Impeller lock nut and washer	Stainless steel
Impeller key	Stainless steel
Fill and drain plugs	Stainless steel

Shaft Seal

e-NSC Unbalanced mechanical seal	
e-NSC - MG1S2 (-25 / +90 °C)	Burgmann
Rotating Assembly	Resin impregnated carbon
Fixed Assembly	Silicon Carbide
Elastomers	EPDM
Springs	AISI 316
Other Components	AISI 316

Motor data

Manufacturer	Lowara	Electric voltage	
Specific design	IE3 Three phase surface motor (NSC)		
Type	PLM160B34S3/3220 E3 (EN 60034-2)	Rated speed	1480-1880-400V
Rated power	22 kW	Degree of protection	IP 55
Speed	3560 1/min	Insulation class	F
Frame size	160	Weight	0 kg
Shaft diameter	0 mm	Colour	RAL 5010

Coupling

Manufacturer	
Series	
Type	
Frame size	
Spacer length	
Weight	
Coupling protection	

Base plate

Description	
Weight	

Remarks:

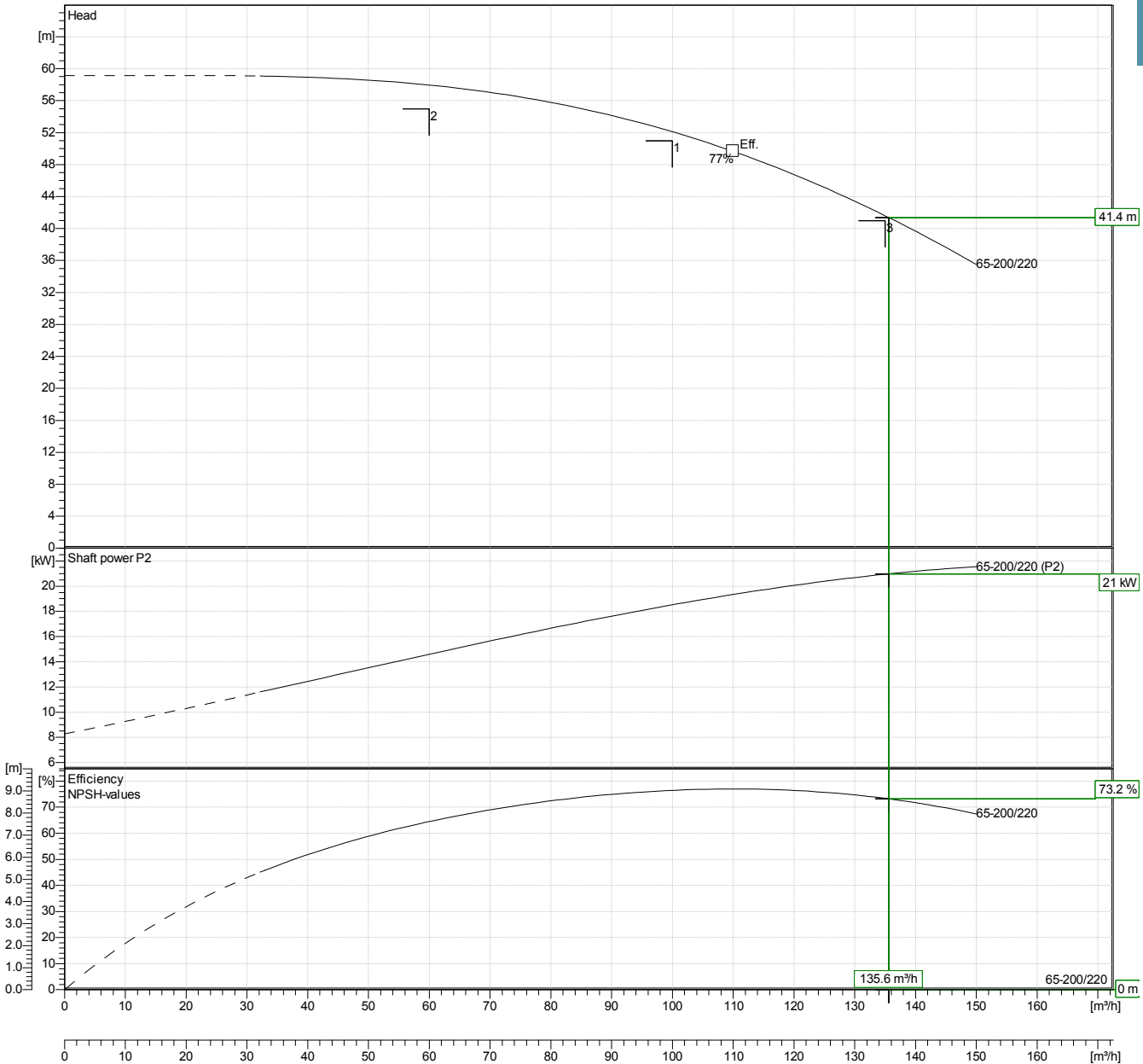
Customer	Date	15/11/2018
Contact	Project	
Phone number	Project no.	
Email		

NSCE 65-200/220/P26PCC4

Hydraulic data

Operating Data Specification		Hydraulic data (duty point)		Impeller design	
Flow	135 m ³ /h	Flow	136 m ³ /h	Impeller R	173 mm
Head	41 m	Head	41.4 m	Frequency	60 Hz
Static head	0 m			Speed	3500 1/min

Power data referred to:
Water [100%] ; 4°C; 1kg/dm³; 1.57mm²/s
 Performance according to ISO 9906:2012 – Grade 3B



Customer	Date	15/11/2018
Contact	Project	
Phone number	Project no.	
Email		

NSCE 65-200/220/P26PCC4

Dimensions mm/m³

A (Motor)	254	s2	15
a	100	Type	B
AA	49	W	208
AB	304	x	118
AD	240		
B (Motor)	254		
B max	348		
b	65		
BB	304		
DND	65		
DNS	80		
g1	16		
H (Motor)	160		
H max	420		
h1	180		
h2	225		
HA	5		
L	694		
m1	125		
m2	95		
n1	320		
n2	250		
s1	14	Total weight	169 kg

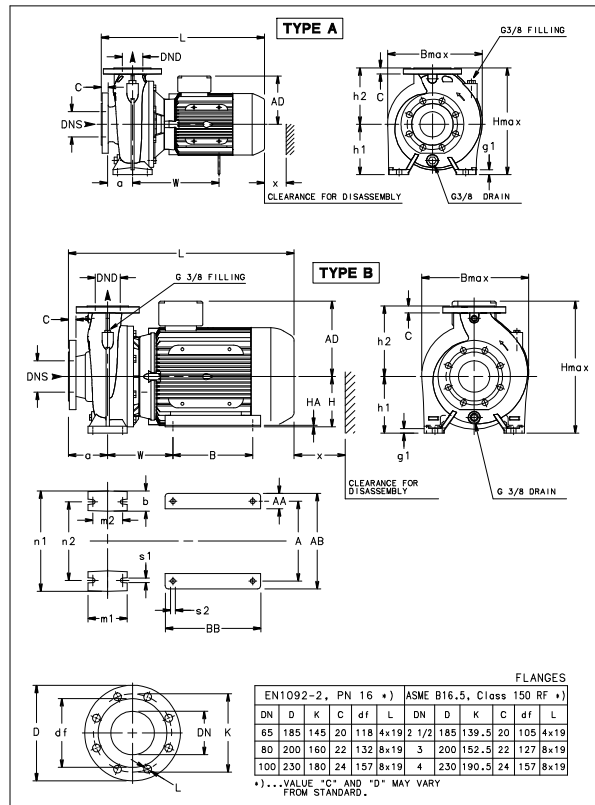
Connections mm

Suction nozzle	Discharge nozzle
DN 80	DN 65
PN 16	PN 16
EN1092-2 (NSC-LNE) EN1092-2 (NSC-LNE)	

C	22	C	20
D	200	D	185
df	132	df	118
DN	80	DN	65
K	160	K	145
L	8 x 19	L	4 x 19

Value C, D may vary from Standard

Drawing



Customer	Date	15/11/2018
Contact	Project	
Phone number	Project no.	
Email		

NSCE 65-125/110/P26PCC4

Operating data

Pumpe type	Single head pump	Fluid	Water
No. of pumps / Reserve	1 / 0	Operating temperature t A	°C 4
Nominal flow	m³/h 100	pH-value at t A	7
Nominal head	m 24	Density at t A	kg/dm³ 1
Static head	m 0	Kin. viscosity at t A	mm²/s 1.569
Inlet pressure	bar 0.098	Vapor pressure at t A	bar 0.00789
Environmental temperature	°C 20	Solids	0
Available system NPSH	m 0	Altitude	m 1000

Pump data

Make	Lowara	Nominal	m³/h 107.1 (107.1)
Speed	1/min 3500	Flow Max-	m³/h 162
Number of stages	1	Flow Min-	m³/h 36
Max. casing pressure	bar	Head Nominal	m 27.5
Max. working pressure	bar 3.2	Head at Qmax	m 18.2
Head H(Q=0)	m 32	Head at Qmin	m 32.3
Weight	kg	Shaft power	kW 10 (10)
	Max. mm 132	Max. shaft power	kW 11
Impeller R designed	mm 132	Efficiency	% 79.79
	Min. mm 113	NPSH 3%	m 4.5
Suction nozzle	DN 80 PN 16 EN1092-2 (NSC-LNE)	Discharge nozzle	DN 65 PN 16 EN1092-2 (NSC-LNE)

Pump Materials

Volute casing	Cast iron
Casing cover	Cast iron
impeller	Cast iron
Shaft	Stainless steel
Wear ring	Stainless steel
Impeller lock nut and washer	Stainless steel
Impeller key	Stainless steel
Fill and drain plugs	Stainless steel

Shaft Seal

e-NSC Unbalanced mechanical seal	
e-NSC - MG1S2 (-25 / +90 °C)	Burgmann
Rotating Assembly	Resin impregnated carbon
Fixed Assembly	Silicon Carbide
Elastomers	EPDM
Springs	AISI 316
Other Components	AISI 316

Motor data

Manufacturer	Lowara	Electric voltage	400 V
Specific design	IE3 Three phase surface motor (NSC)		
Type	PLM132B14S2/3110 E3 (EN 60034-2)	Rated current	1880-4002 A
Rated power	11 kW	Degree of protection	IP 55
Speed	3540 1/min	Insulation class	F
Frame size	132	Weight	0 kg
Shaft diameter	0 mm	Colour	RAL 5010

Coupling

Manufacturer	
Series	
Type	
Frame size	
Spacer length	
Weight	
Coupling protection	

Base plate

Description	
Weight	

Remarks:

Customer	Date	15/11/2018
Contact	Project	
Phone number	Project no.	
Email		

NSCE 65-125/110/P26PCC4

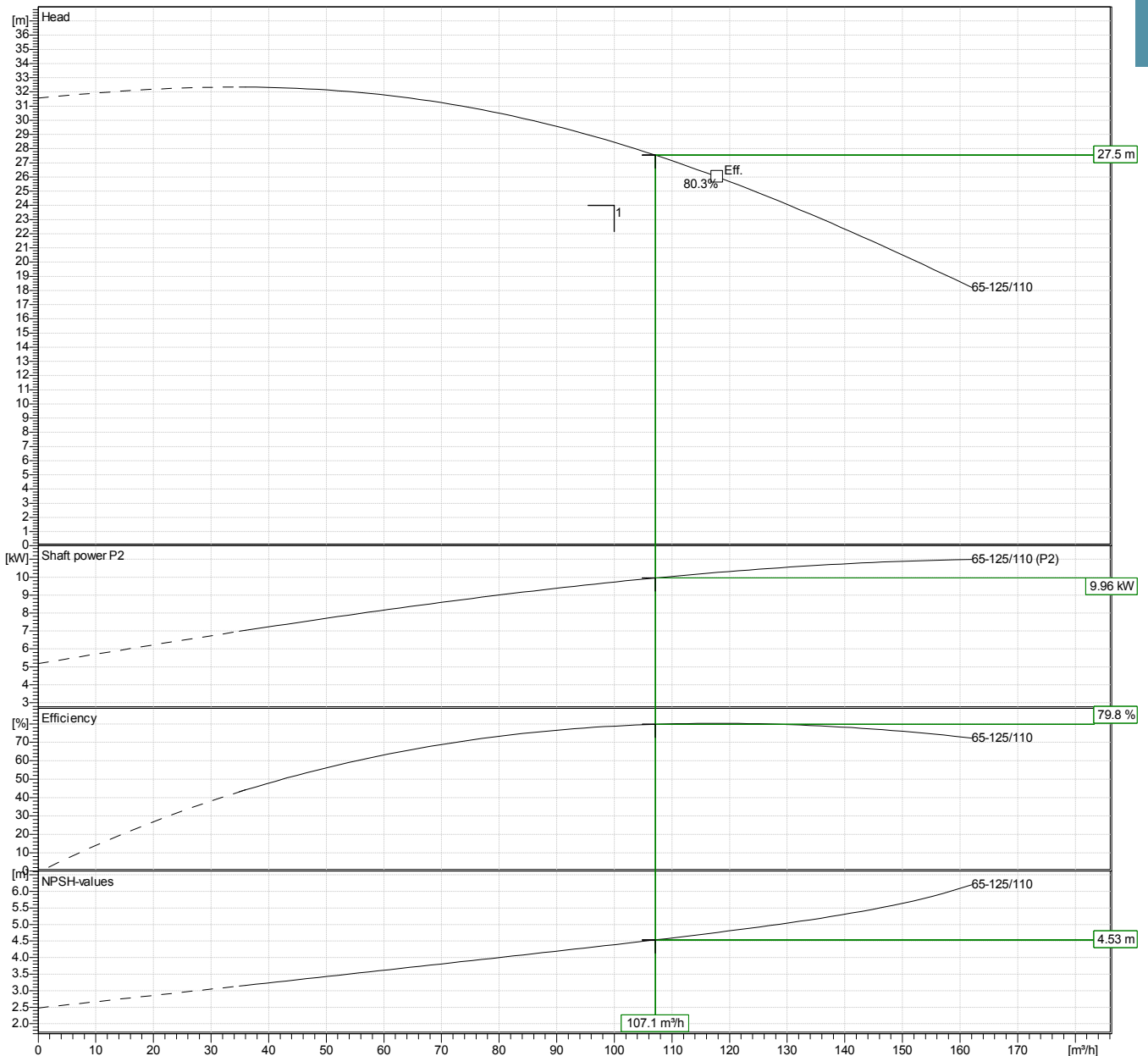
Hydraulic data

Operating Data Specification		Hydraulic data (duty point)		Impeller design	
Flow	100 m ³ /h	Flow	107 m ³ /h	Impeller R	132 mm
Head	24 m	Head	27.5 m	Frequency	60 Hz
Static head	0 m			Speed	3500 1/min

Power data referred to:

Water [100%] ; 4°C; 1kg/dm³; 1.57mm²/s

Performance according to ISO 9906:2012 – Grade 3B



Customer	Date	15/11/2018
Contact	Project	
Phone number	Project no.	
Email		

NSCE 65-125/110/P26PCC4

Dimensions mm/m³

a	100		
AD	191		
B max	300		
b	65		
DND	65		
DNS	80		
g1	16		
H max	351		
h1	160		
h2	180		
L	607		
m1	125		
m2	95		
n1	280		
n2	212		
s1	14		
Type	A		
W	345		
x	100		
		Total weight	94 kg

Connections mm

Suction nozzle	Discharge nozzle
DN 80	DN 65
PN 16	PN 16
EN1092-2 (NSC-LNE) EN1092-2 (NSC-LNE)	

C	22	C	20
D	200	D	185
df	132	df	118
DN	80	DN	65
K	160	K	145
L	8 x 19	L	4 x 19

Value C, D may vary from Standard

Drawing

