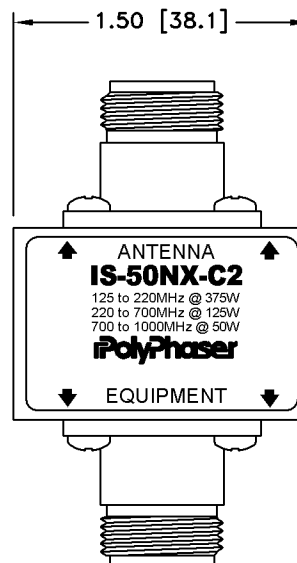
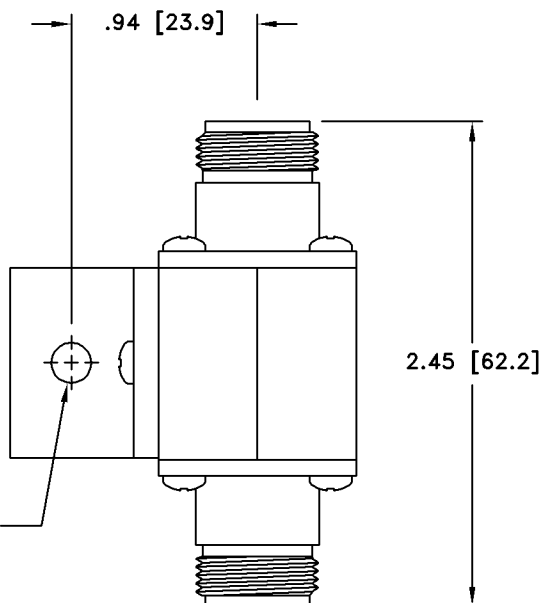
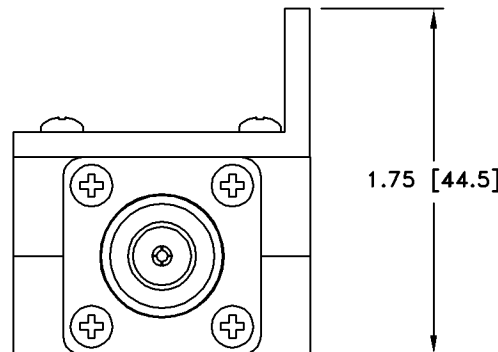


ALL DESIGN, OPERATIVE AND PROCESS DATA PERTAINING TO THE ARTICLE SHOWN ON THIS SHEET IS THE PROPERTY OF POLYPHASER CORPORATION. THE INFORMATION IS NOT TO BE COPIED, REPRODUCED, REVEALED TO OR APPROPRIATED BY OTHERS WITHOUT THE EXPRESS WRITTEN CONSENT OF POLYPHASER CORPORATION.

*These commodities or technology are exported from the U.S. in accordance with the Export Administration Regulations. Diversion contrary to U.S. law prohibited.*

REVISIONS				
REV LTR	DATE	ENG	MKTG	Q.A.
A	01/30/96 <sub>PJP</sub>	T. K.	--	R. M.
B	06/30/99 <sub>JCG</sub>	K.C.B.	T.G.F.	R. M.
C	01/16/01 <sub>SH</sub>	KCB	PH	RM
D	11/18/02 <sub>SH</sub>	LC	SD	LJ
E	03/02/07 <sub>CM</sub>	AD	-	-



### MAXIMUM CHARACTERISTICS

SURGE:  
 50kA IEC 61000-4-5 8/20 $\mu$ s WAVEFORM 500 JOULES  
 TURN ON:  
 600Vdc  $\pm$ 20%  
 TURN ON TIME:  
 2.5ns FOR 2kV/ns  
 FREQUENCY RANGE:  
 125MHZ TO 1GHz  
 VSWR:  
 $\leq$ 1.1:1 OVER FREQUENCY RANGE  
 INSERTION LOSS:  
 $\leq$ 0.1dB OVER FREQUENCY RANGE  
 TEMPERATURE:  
 -45°C TO +85°C STORAGE/OPERATING +50°C

CUSTOMER APPROVAL: \_\_\_\_\_ DATE: \_\_\_\_\_

ALL DIMENSIONS SHOWN ABOVE ARE FOR REFERENCE ONLY.

DRAFTER J. CALLISTER	DATE 09/21/93
MECH ENGINEER - - - -	DATE - - - -
ELEC ENGINEER J. JONES	DATE 04/12/95
MARKETING - - - -	DATE - - - -
QUALITY DEPT R. MATHEUS	DATE 04/12/95

**PolyPhaser**

P.O. BOX 9000 MINDEN, NY 89425 TEL: 775-782-2511 FAX: 775-782-4476  
DWG NO/PART NO/DESCRIPTION

**IS-50NX-C2**  
CUSTOMER PRINT

QUALITY DEPT R. MATHEUS	DATE 04/12/95	CAGE CODE 61114	FILE NAME -C1	SCALE 1/1	SHEET 1 OF 1
----------------------------	------------------	--------------------	------------------	--------------	-----------------