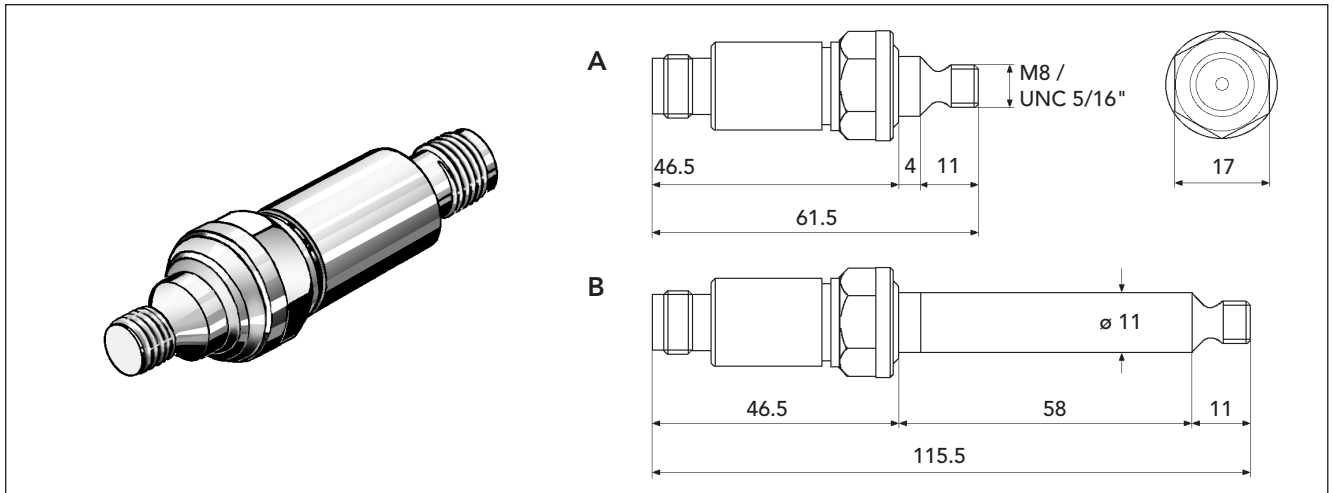


# Standard Shock Pulse Transducers



Standard shock pulse transducers are used in all permanent SPM installations for bearing monitoring. They are installed in countersunk mounting holes on the bearing housings.

A shock pulse transducer converts the shock pulses emitted by the bearing into electric signals. A coaxial cable connects the transducer with a measuring terminal or measuring device. Max. cable length is 4 m.

Transducer housing and base are made of stainless acid proof steel, suitable for aggressive environments. Standard thread size is M8, with UNC 5/16" as an alternative. Standard length (A) is 61.5 mm. A long transducer (B), length 115.5 mm, is used to reach bearing housings beneath protective covers.

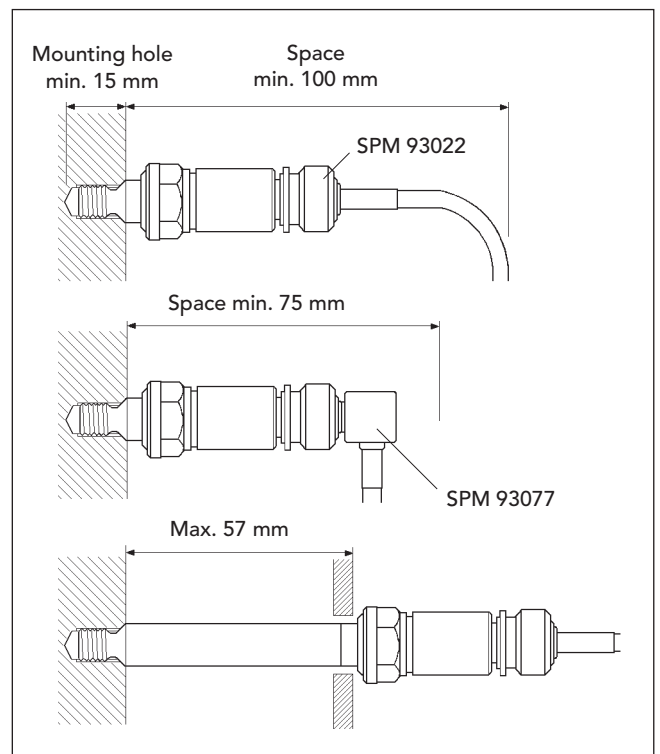
The transducer is normally connected with a TNC plug, SPM 93022. A TNC angle plug, SPM 93077, can be used in narrow spaces. To prevent cable corrosion in moist environments, the coaxial cable must be connected with a sealing TNC plug, SPM 13008.

## Ordering numbers

|       |  |
|-------|--|
| 40000 | Standard shock pulse transducer, M8 x1.25              |
| 40100 | Standard shock pulse transducer, UNC 5/16-18           |
| 40001 | Standard shock pulse transducer, M8 x1.25, extended    |
| 40101 | Standard shock pulse transducer, UNC 5/16-18, extended |

## Technical data

|                       |   |
|-----------------------|---|
| Measuring range       | Max. 100 dBsv   |
| Housing, base         | Stainless acid proof steel, Sandvik Grade:1802, EN:1.4523 |
| Design                | Sealed  |
| Connector tightness   | IP65 with TNC connector<br>IP 67 with conn. SPM13008      |
| Temperature range     | -30° C to +150° C   |
| External overpressure | Max. 1 MPa (10 bar)                                       |
| Mounting torque       | 15 Nm, max. 20 Nm   |
| Connector             | TNC jack  |
| Weight:               | 55 g  |



## Mounting tools

|       |                                     |
|-------|-------------------------------------|
| 82053 | Countersink with fixed pilot for M8 |
| 81027 | Holder for countersink              |
| 81028 | Countersink, angle 90°, 12 mm dia.  |
| 81031 | Pilot for M8                        |
| 81032 | Pilot for UNC 5/16"                 |

To drill the mounting hole, use drill bits 6.9 mm for M8, 6.6 mm for UNC5/16".

Torque and unscrew the transducer with a torque wrench and a long 17 mm socket (SPM 81086).

