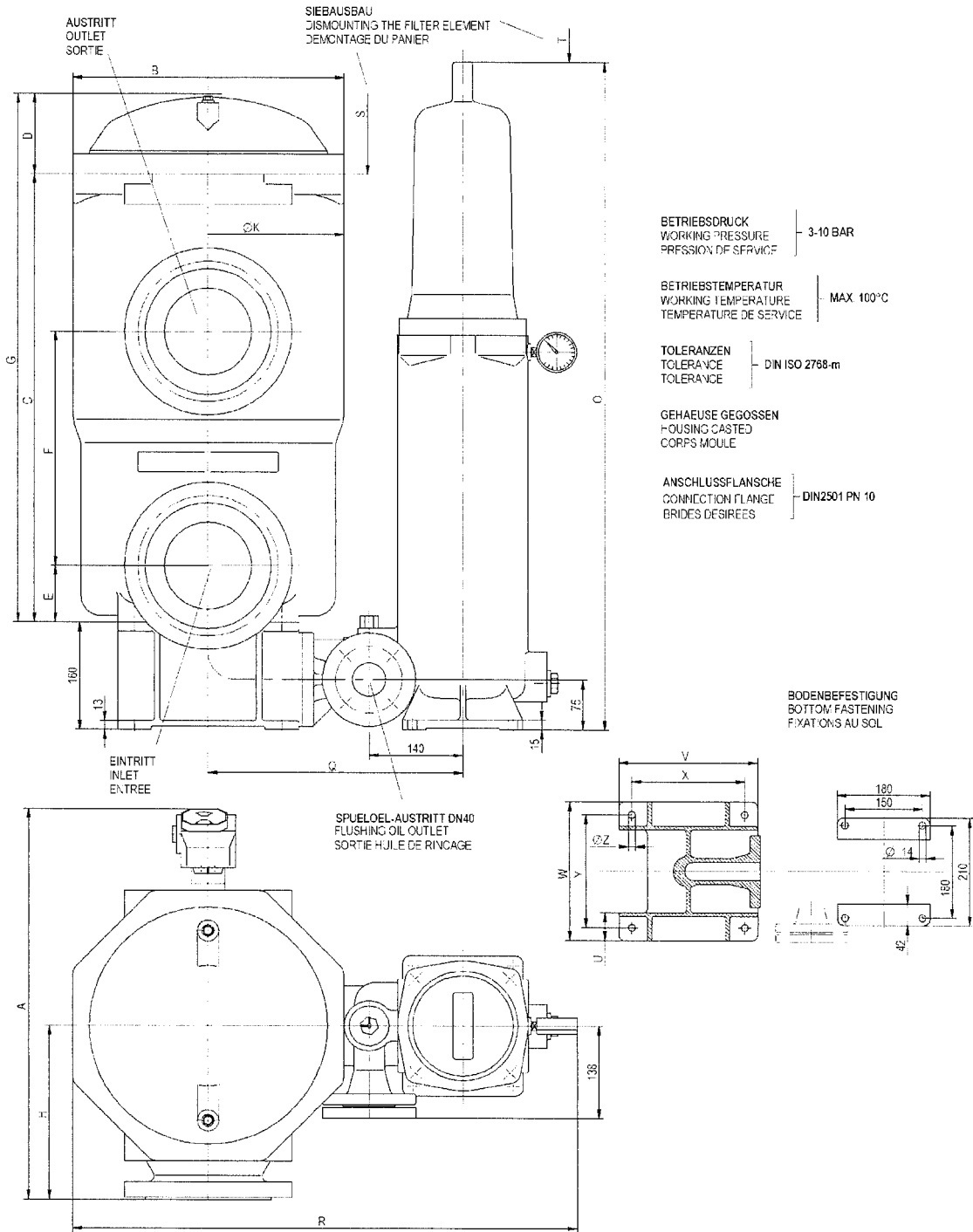


Z101212 Bl.2(2)  
TYP6.46.07 DN125+150  
21.09.04



DN	A	B	C	D	E	F	G	H	ØK	O	Q	R	S	T	U	V	W	X	Y	Z	GEWICHT KG	INHALT LITER
125	580	405	670	120	85	350	790	260	405	1000	380	755	600	550	55	270	270	220	220	14	230	95
150	655	490	870	130	85	375	800	300	460	1000	395	810	600	550	58	330	310	260	260	18	285	118

SUBJECT TO ALTERATIONS

BACK FLUSHING FILTER  
WITH RECYCLING UNIT

ÄNDERUNGEN VORBEHALTEN

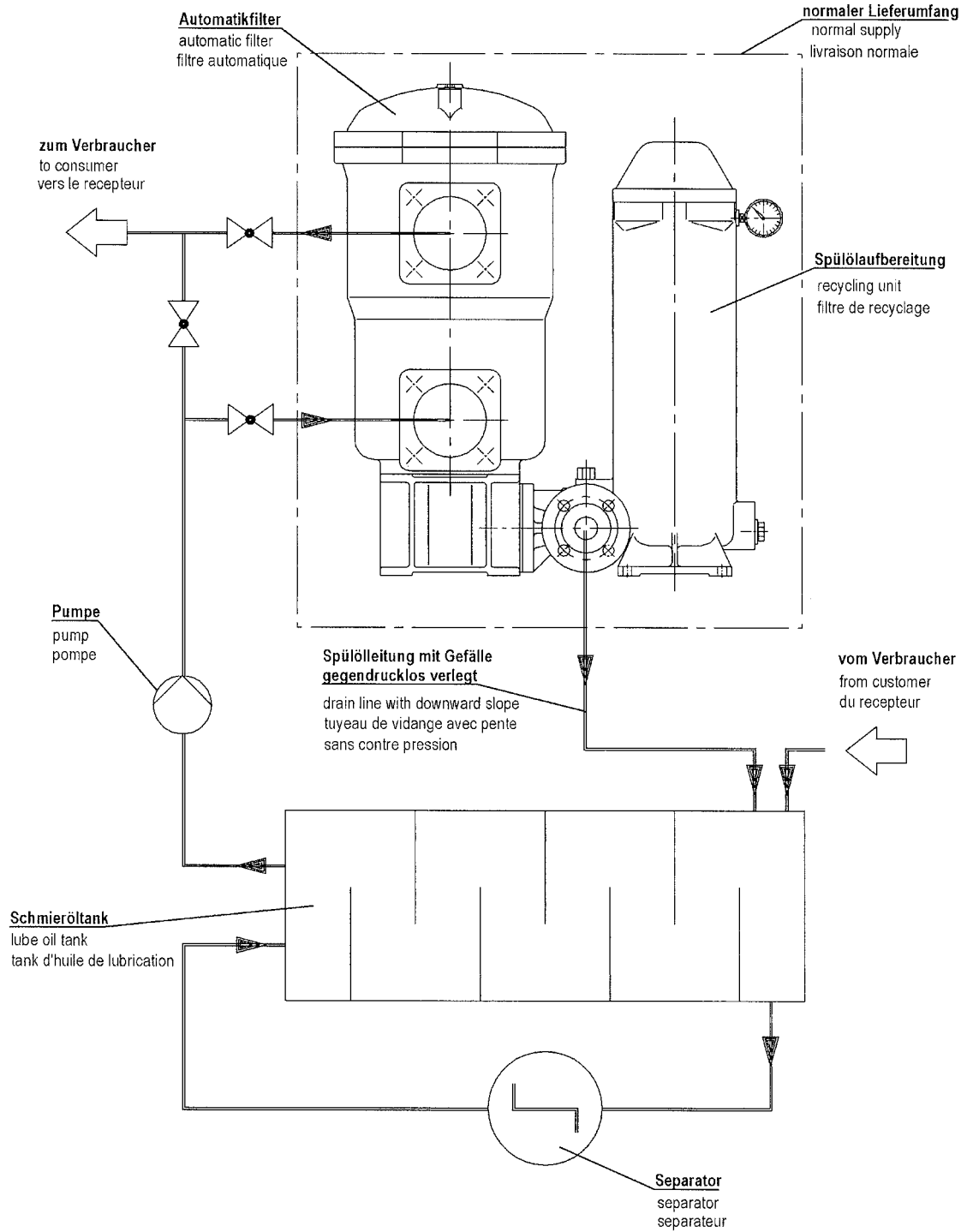
VOLLAUTOM. RUECKSPUELFILTER MIT  
SPEULOELAUFBEREITUNG TYP6.46.07 DN125+150

MODIFICATIONS RESERVEES

FILTRE AUTOMATIQUE  
AVEC FILTRE DE RECYCLAGE



Z101329  
TYP6.46.07  
29.07.02

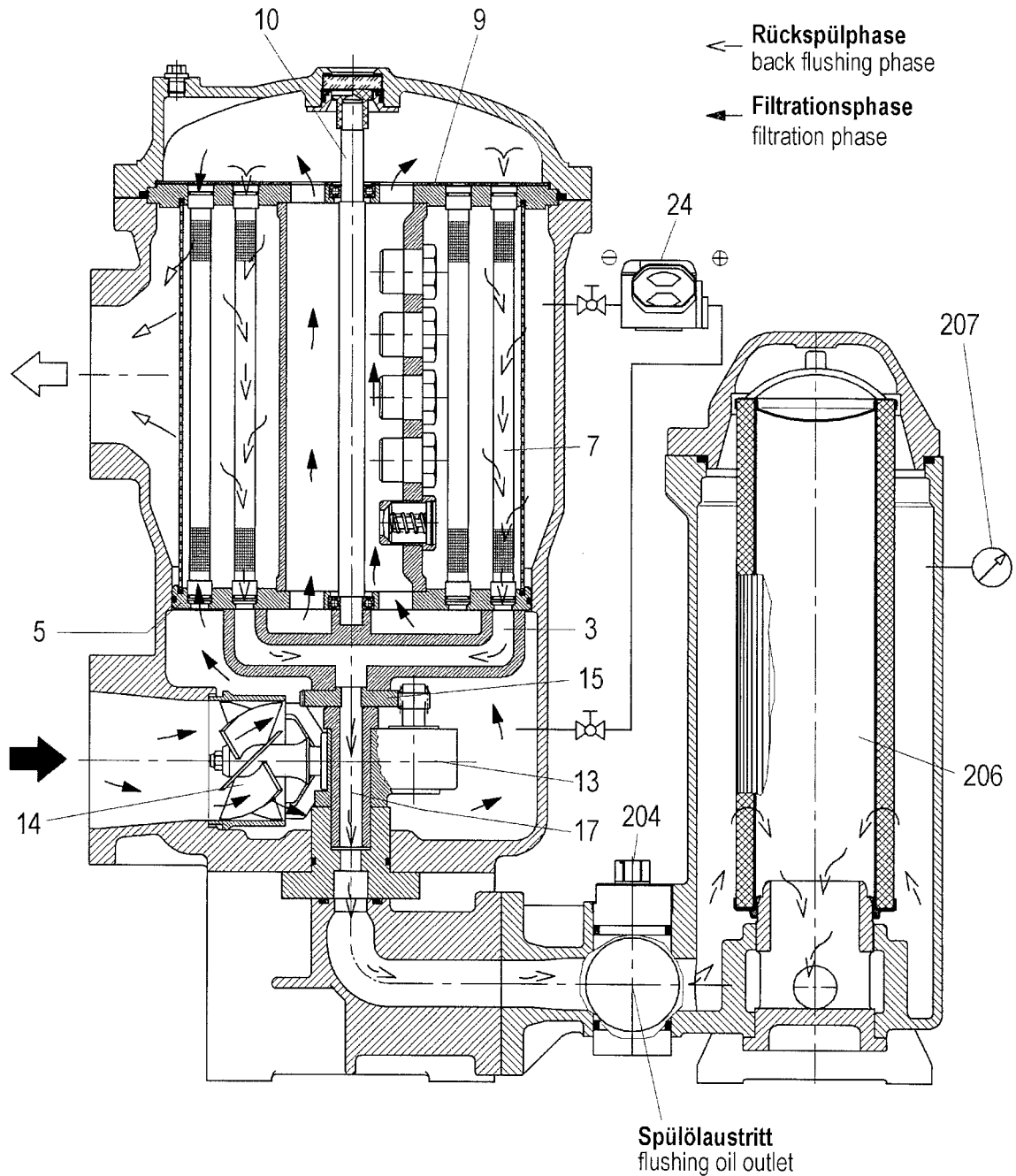


schema installation

**Einbauschema**  
**TYP 6.46.07**

schema d'installation

Z101308  
 TYP6.46.07  
 22.02.05

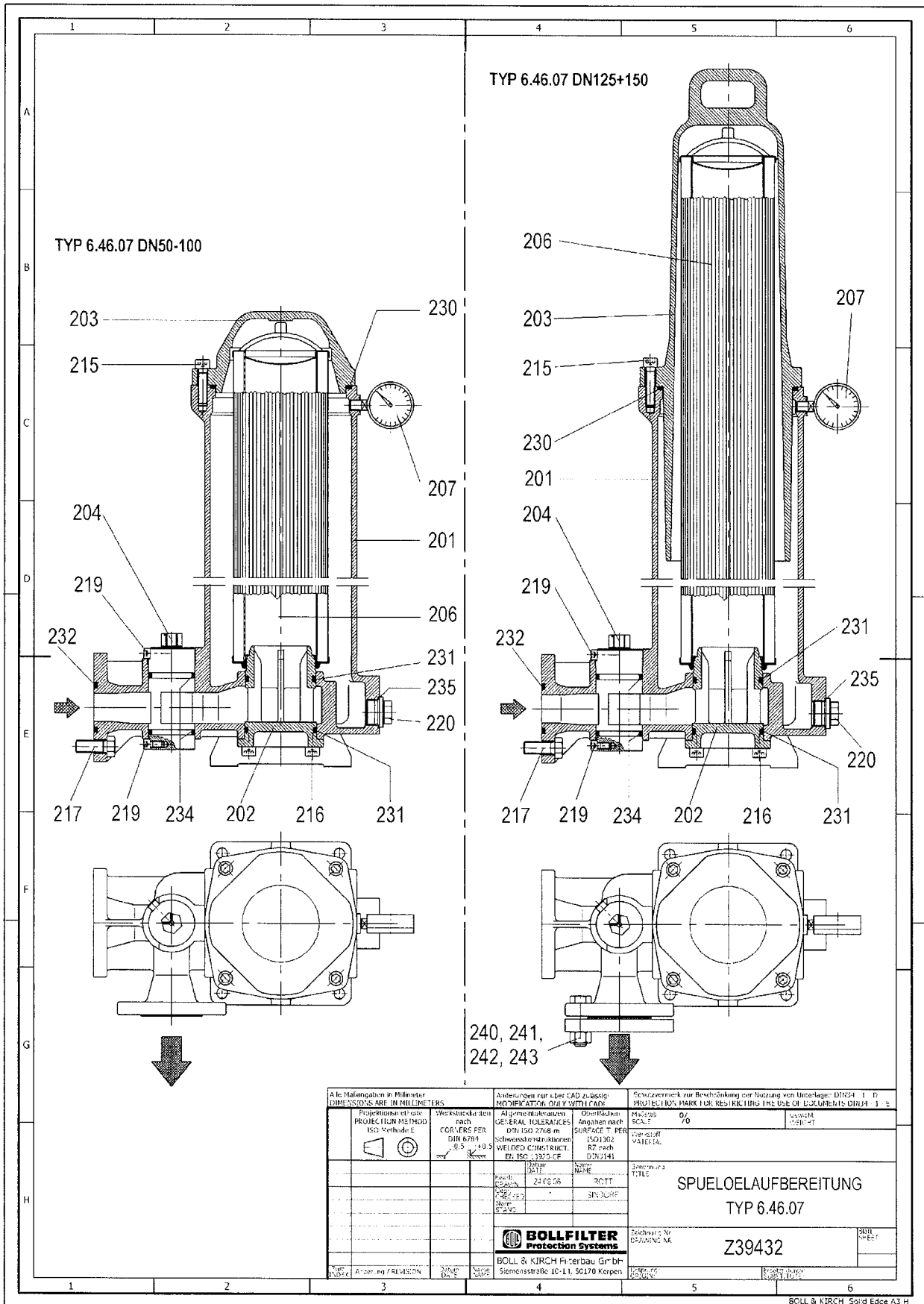


TYP 6.46.07

**Funktionsschema**  
 Functional diagram



Filtre à huile OX.M.





DOCUMENTATION PARTS LIST

Date 24.09.04  
Page 1

Document 0632846  
Description automatic filter  
6.46.07 DN150  
Material EN-JS1030  
EN-GJS-400-15  
EN 1563  
Assembly Z42564 + Z39432  
Dimension drawing Z101212 Bl.2

max. all. pressure: 10 bar  
max. all. temperature: 100°C  
test pressure: 1,5 x all. pressure

Item	ID no.	Description	Qty	Unit
00001	6532205	housing	1	pcs.
00002	6030216	cover	1	pcs.
00003	6551249	flushing arm	1	pcs.
00004	5151255	connecting pipe	1	pcs.
00005	5101245	sieve plate bottom	1	pcs.
00006	5101246	sieve plate top	1	pcs.
00007	1340028	Filter Element according to order	66	pcs.
00008	5709913	safety sieve	1	pcs.
00008	7108807	perforated plate cutting	1	pcs.
00009	5110060	covering plate	1	pcs.
00010	5300219	flushing arm shaft	1	pcs.
00011	6853849	turbine housing	1	pcs.
00012	5200039	flange fastening	1	pcs.
00013	2709131	worm gearing	1	pcs.
00014	2784402	turbine wing with wheel hub	1	pcs.
00015	2705519	toothed wheel	1	pcs.
00016	5301822	mounting bushing	1	pcs.
00017	5061823	flushing bush	1	pcs.
00018	0209130	excess current valve	10	pcs.
00022	2309206	pressure spring	1	pcs.
00023	2703600	deep groove ball bearing	2	pcs.
00024	9902572	differential pressure indicator acc. t	1	pcs.
00025	2000257	slotted cheese head screw	1	pcs.
00026	2301130	grooved pin	1	pcs.
00027	2300010	Spring Type Straight Pin	1	pcs.
00028	2560063	angle ball valve	2	pcs.
00030	2002614	stud bolt	16	pcs.
00031	2100012	hexagon nut	16	pcs.
00033	2000190	screwed sealing plug	1	pcs.
00034	2000194	screwed sealing plug	1	pcs.
00035	2000187	screwed sealing plug	1	pcs.
00037	2000142	hexagon socket head cap screw	6	pcs.
00038	2000121	hexagon socket head cap screw	3	pcs.
00039	2000121	hexagon socket head cap screw	3	pcs.
00040	2000143	hexagon socket head cap screw	1	pcs.
00041	2003658	stud bolt	1	pcs.
00042	2000122	hexagon socket head cap screw	2	pcs.
00043	2000154	hexagon socket head cap screw	4	pcs.
00044	2000121	hexagon socket head cap screw	2	pcs.



.....  
DOCUMENTATION PARTS LIST

Date 24.09.04  
Page 2

0632846 automatic filter  
6.46.07 DN150

Item	ID no.	Description	Qty	Unit
00045	2000121	hexagon socket head cap screw	3	pcs.
00046	2200005	disc	3	pcs.
00047	5008712	disc	1	pcs.
00048	2200007	disc	1	pcs.
00049	2200009	disc	4	pcs.
00050	2000095	hexagon screw	4	pcs.
00051	6024503	bottom fastening	1	pcs.
00052	5708316	mounting sheet	1	pcs.
00053	2000122	hexagon socket head cap screw	2	pcs.
00054	2100003	hexagon nut	2	pcs.
00055	2500024	screwing	3	pcs.
00056	2500025	screwing	1	pcs.
00057	7300002	precision tube nbk	1	Unit
			1.000	mm
00058	3040115	o-ring	1	pcs.
00060	3040154	o-ring	1	pcs.
00061	3040021	o-ring	1	pcs.
00062	3040021	o-ring	2	pcs.
00063	3040023	o-ring	66	pcs.
00064	3140003	o-ring	66	pcs.
00065	3031743	o-ring	1	pcs.
00066	3040115	o-ring	1	pcs.
00068	3290012	gasket	1	pcs.
00069	3270002	gasket	1	pcs.
00070	3332814	flat gasket	1	pcs.
00071	3048235	o-ring	1	pcs.
00075	2209799	spring ring	3	pcs.
00076	2000122	hexagon socket head cap screw	3	pcs.
00077	2100047	hexagon nut	1	pcs.
00078	3270005	gasket	1	pcs.
00079	2000115	hexagon socket head cap screw	1	pcs.
00080	9400997	label: "on / off"	1	pcs.
00080	9407569	label: "in / out"	1	pcs.
00080	9402913	type plate	1	pcs.
00081	3529686	indication bush	1	pcs.
00082	5209684	Tension Ring	1	pcs.
00083	4707080	inspection glas	1	pcs.
00085	2311117	shaft spring	1	pcs.
00201	6539405	sludge chamber	1	pcs.
00202	6539409	element support	1	pcs.
00203	6533146	filter chamber	1	pcs.
00204	6320402	cock plug	1	pcs.
00206	7608089	disposable cartridge	1	pcs.
00207	2661520	pressure gauge / trailing pointer	1	pcs.
00207	2557215	reducing piece	1	pcs.
00207	3546785	gasket	1	pcs.
00207	3546786	gasket	1	pcs.
00215	2000159	hexagon socket head cap screw	4	pcs.
00216	2000156	hexagon socket head cap screw	4	pcs.
00217	2000096	hexagon screw	4	pcs.
00219	2000130	hexagon socket head cap screw	2	pcs.
00220	2000191	screwed sealing plug	1	pcs.



.....  
DOCUMENTATION PARTS LIST

Date 24.09.04

Page 3

0632846 automatic filter  
6.46.07 DN150

Item	ID no.	Description	Qty	Unit
00230	3040128	o-ring	1	pcs.
00231	3031277	o-ring	2	pcs.
00232	3040117	o-ring	1	pcs.
00234	3040117	o-ring	2	pcs.
00235	3270006	gasket	1	pcs.
00240	2808621	blind flange	1	pcs.
00241	2000046	hexagon screw	4	pcs.
00242	2100007	hexagon nut	4	pcs.
00243	3380065	high pressure gasket	1	pcs.

Überarbeitet am : 23.09.04

Überarbeitet von : Bogda