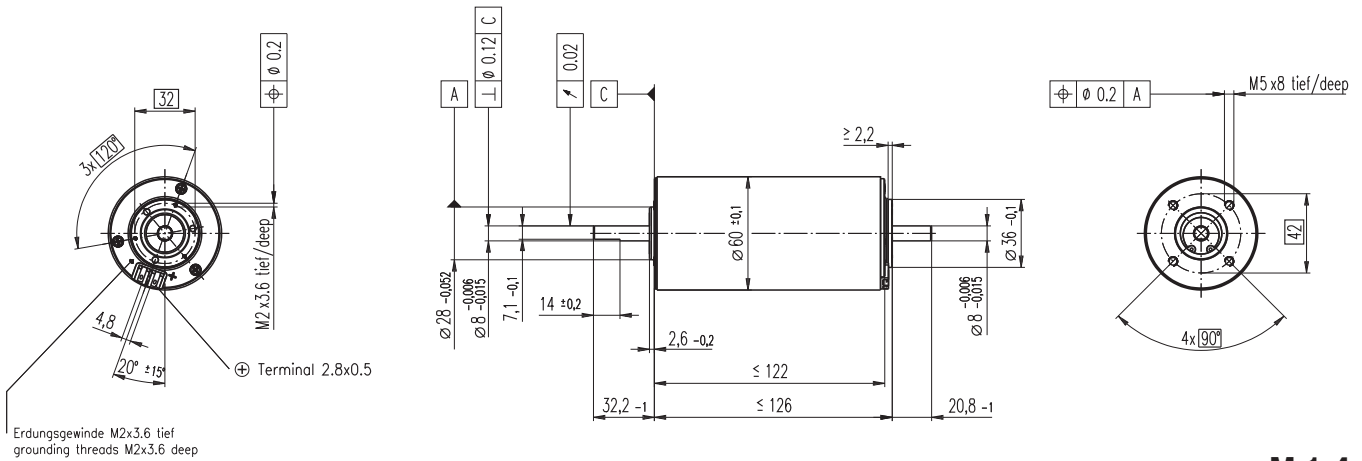


F 2260 Ø60 mm, Graphite Brushes, 80 Watt



M 1:4

- Stock program
- Standard program
- Special program (on request)

Order Number

2260. ... -51.216-200 (Insert winding number)

Winding number

880	881	882	883	884	885	886	887	888	889	890
-----	-----	-----	-----	-----	-----	-----	-----	-----	-----	-----

Motor Data

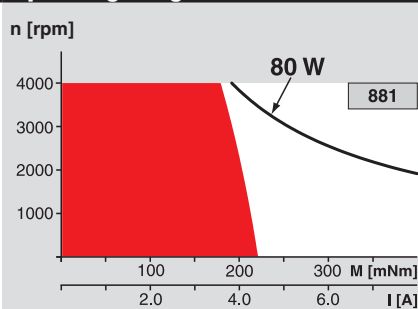
Values at nominal voltage		880	881	882	883	884	885	886	887	888	889	890
1	Nominal voltage	V	15.0	18.0	18.0	24.0	24.0	24.0	36.0	42.0	48.0	48.0
2	No load speed	rpm	3950	3290	2640	2840	2630	2220	2690	2560	2660	1790
3	No load current	mA	604	398	305	247	226	185	153	124	113	98.2
4	Nominal speed	rpm	3570	2900	2230	2440	2220	1810	2290	2160	2270	1950
5	Nominal torque (max. continuous torque)	mNm	190	226	249	253	258	276	273	275	275	280
6	Nominal current (max. continuous current)	A	6.10	4.91	4.27	3.48	3.27	2.94	2.33	1.91	1.74	1.56
7	Stall torque	mNm	2820	2370	1890	2050	1860	1660	2010	1860	1940	1690
8	Starting current	A	82.0	47.3	30.2	26.2	22.0	16.6	16.1	12.2	11.5	8.88
9	Max. efficiency	%	77.4	78	76.9	78.6	78	77.4	79.8	79.5	80	79
Characteristics		880	881	882	883	884	885	886	887	888	889	890
10	Terminal resistance	Ω	0.183	0.38	0.596	0.917	1.09	1.44	2.24	3.45	4.17	5.40
11	Terminal inductance	mH	0.066	0.140	0.218	0.341	0.398	0.559	0.873	1.31	1.59	2.03
12	Torque constant	mNm / A	34.4	50.0	62.5	78.2	84.4	100	125	153	169	250
13	Speed constant	rpm / V	278	191	153	122	113	95.4	76.3	62.3	56.5	38.2
14	Speed / torque gradient	rpm / mNm	1.48	1.45	1.45	1.43	1.46	1.38	1.37	1.40	1.40	1.42
15	Mechanical time constant	ms	21.3	20.4	20.1	19.6	19.6	19.3	18.9	18.8	18.8	18.7
16	Rotor inertia	gcm ²	1380	1340	1320	1310	1280	1340	1320	1280	1280	1260

Specifications

Thermal data		880	881	882	883	884	885	886	887	888	889	890
17	Thermal resistance housing-ambient	3.4 K / W										
18	Thermal resistance winding-housing	1.1 K / W										
19	Thermal time constant winding	72.5 s										
20	Thermal time constant winding	2210 s										
21	Ambient temperature	-20 ... +100°C										
22	Max. permissible winding temperature	+125°C										
Mechanical data (preloaded ball bearings)		880	881	882	883	884	885	886	887	888	889	890
23	Max. permissible speed	4000 rpm										
24	Axial play at axial load < 15 N	0 mm										
	> 15 N	0.01 - 0.15 mm										
25	Radial play ball bearings	0.05 mm										
26	Max. axial load (dynamic)	15 N										
27	Max. force for press fits (static) (static, shaft supported)	400 N										
28	Max. radial loading, 5 mm from flange	10000 N										
		100 N										
Other specifications		880	881	882	883	884	885	886	887	888	889	890
29	Number of pole pairs	2										
30	Number of commutator segments	26										
31	Weight of motor	1300 g										

Values listed in the table are nominal. Explanation of the figures on page 49.

Operating Range



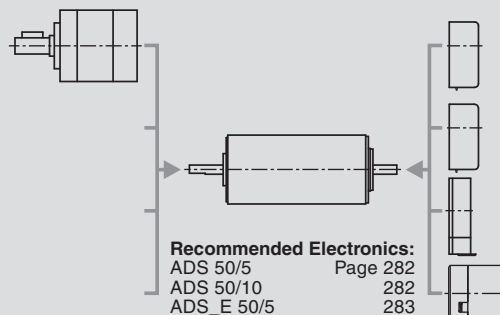
Comments

- Continuous operation**
In observation of above listed thermal resistance (lines 17 and 18) the maximum permissible winding temperature will be reached during continuous operation at 25°C ambient.
= Thermal limit.
- Short term operation**
The motor may be briefly overloaded (recurring).
- Assigned power rating**

maxon Modular System

Overview on page 16 - 21

Planetary Gearhead
Ø62 mm
8 - 50 Nm
Page 242



- Recommended Electronics:**
- ADS 50/5 Page 282
 - ADS 50/10 282
 - ADS_E 50/5 283
 - ADS_E 50/10 283
 - EPOS2 24/5 305
 - EPOS2 50/5 305
 - EPOS2 P 24/5 308
 - Notes 18

- Encoder HEDS 5540**
500 CPT,
3 channels
Page 267
- Encoder HEDL 5540**
500 CPT,
3 channels
Page 269
- Optional Encoder HEDS 6540**
1000 CPT,
3 channels
- Brake AB 28**
Ø40 mm
24 VDC, 0.4 Nm
Page 318