



A240 NAMUR Type 3/2 - 5/2 Convertible Solenoid Valves

Proval A240 type general purpose 3/2 way and 5/2 way solenoid valves with namur interface configuration are interchangeable for use on either double and single acting pneumatic actuators.

General Features,

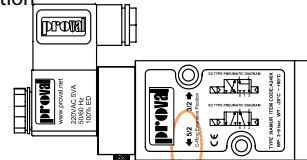
- * Direct mounting on NAMUR interface actuators
- * Easy convertible between 3/2 and 5/2 way (DA or SR) by replacing the o-ring position
- * Lockable manual operator
- * Standard IP65 enclosure single coil (spring return),

Technical Specifications,

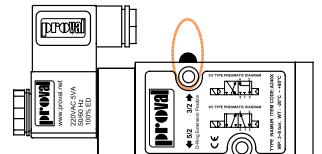
Power Supply	A240-E	A240-B	A240-A	A240-C	A240-D
Power Consumption	12 VDC	24 VDC	24 VAC	110 VAC	220 VAC
Power Consumption	3W	3W	5VA	5VA	5VA
Air Supply	G 1/4"				
Working Pressure	3 - 8 bar				
Protection Class	IP65				
Working Temperature	-20° C ~ + 80° C				
Flow Capacity	720 Lt/min				



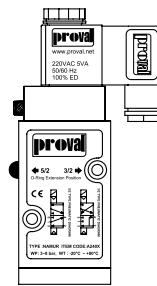
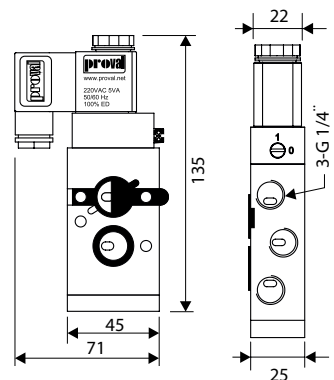
NAMUR Type Solenoid Valves



5/2 Way Function Solenoid Valve



3/2 Way Function Solenoid Valve

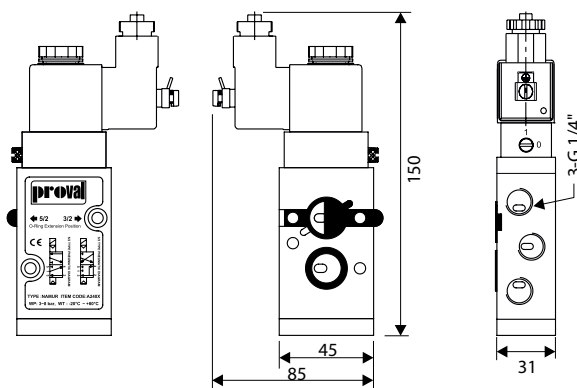


A240 SP

Spare Parts for Solenoid Valves	
Model	Description
A240PB	9mm Coil, IP65
A240PBX	9mm Coil, Exproof
A240SP	Standard Socket
A240SPL	Socket with LED

A240X Hazardous Area NAMUR Type 3/2 - 5/2 Convertible Solenoid Valves

Proval A240X type 3/2 way and 5/2 way solenoid valves with namur interface configuration are interchangeable for use on either double and single acting pneumatic actuators in potentially explosive environments.



Intrinsically Safe Coil, Ex ia IIB T6



Encapsulated Coil, EEx m II T5

Item Code	A240X-BIA	A240X-BM	A240X-CM	A240X-DM
Power Supply	24 VDC	24 VDC	110 VAC	220 VAC
Explosion Proof Classification	Ex ia IIB T6 Ga	Ex II 2G Ex mb IIC T5 Gb / Ex II 2D Ex tb IIIC T95		
Air Supply	G 1/4"			
Working Pressure	3 - 8 bar			
Protection Class	IP65			
Working Temperature	-20° C ~ + 80° C			
Flow Capacity	720 Lt/min			



A240PBX BIA



AA240PBX BM