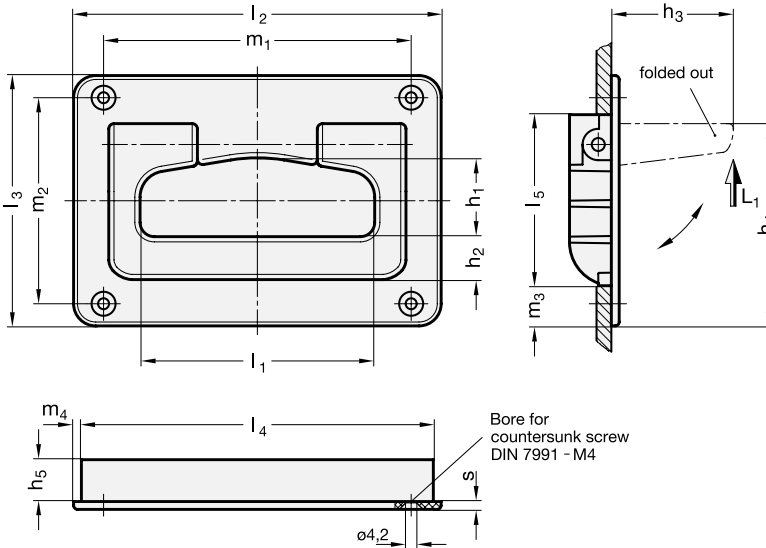




**elesa**

ELESA original design MPR.



Bore for countersunk screw  
DIN 7991 - M4



$l_1$	$h_1$	$h_2$	$h_3$	$h_4$	$h_5$	$l_2$	$l_3$	$l_4$	$l_5$	$m_1$ $\pm 0,1$	$m_2$ $\pm 0,1$	$m_3$	$m_4$	$s$	$L_1$ Load-bearing capacity in N folded out
90	29	16,5	47	77	16	141	96	135	65	118	79	16	3	3	1650

**Specification**

- Plastic  
Polyamide PA  
- glasfibre reinforced  
- temperature resistant up to 100 °C  
- black, RAL 9005, matt
- Pin  
Stainless Steel AISI 303
- Return spring  
Stainless Steel AISI 302
- RoHS compliant



**Information**

The folding handle with recessed tray GN 825.2 are used if the handle is to protrude by a maximum of 3 mm when folded down.

After releasing the handle, it returns to its starting position by spring-loaded return.

The value for the load-bearing capacity given in the table is an approximate value which, when exceeded, may cause the plastic to break. The value has been determined during tests at room temperature.

see also...

- Folding handles with recessed tray GN 425.8  
→ Main Catalogue Page 88
- Folding handles GN 825.1 → Page 43

How to order

**GN825.2-90-SW**

1  $l_1$

2 Colour



Folding handle with recessed tray GN 825.2  
Folding handle GN 825.1 → Page 43

### Installation dimensions

