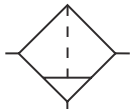


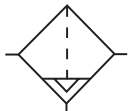
Particulate Filter

F08

 = "Most Popular"



Manual Drain



Auto Drain



F08-01-SK00

Features

- Standard 5 Micron Filtration
- Quick-disconnect Bowl
- Bowl Guard
- High Flow Capacity

Specifications

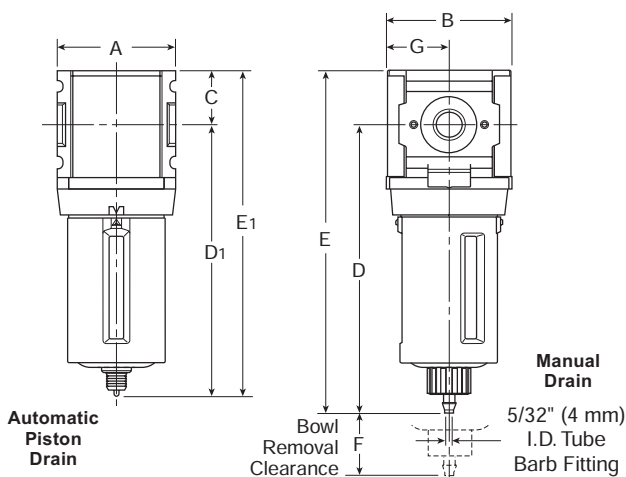
Flow Capacity*	1/8	25.0 SCFM (11.8 dm ³ /s)
	1/4	50.0 SCFM (23.5 dm ³ /s)
Maximum Supply Pressure	Plastic Bowl	150 PSIG (10.3 bar)
	Metal Bowl	250 PSIG (17.2 bar)
Operating Temperature	Plastic Bowl	32° to 125°F (0° to 52°C)
	Metal Bowl	32° to 150°F (0° to 65.5°C)
Port Size	NPT / BSPP-G	1/8, 1/4
Standard Filtration	5 Micron	
Weight	.42 lb. (0.2 kg)	

* Inlet pressure 150 PSIG (10.3 bar). Pressure drop 5 PSID (0.3 bar).

"F" Series Filters, Type "A" 5 micron elements: All Wilkerson Type "A" 5 micron elements **meet or exceed ISO** Class 3 for maximum particle size and concentration of solid contaminants.

Materials of Construction

Baffle	Acetal	
Body	Zinc	
Body Cap	ABS	
Bowl	Plastic Bowl	Polycarbonate
	Metal Bowl	Zinc
Bowl Guard	Nylon	
Element Retainer	Acetal	
Filter Element	Sintered Polyethylene	
Seals	Plastic Bowl	Nitrile
	Metal Bowl	Nitrile



Dimensions

Models	Inches (mm)	A	B	C	D	D ₁	E	E ₁	F	G
Standard Unit F08-XX-SK00		1.58 (40)	1.68 (43)	.72 (18)	3.86 (98)	—	4.58 (116)	—	1.31 (33)	.84 (21)
Automatic Piston Drain F08-XX-SR00		1.58 (40)	1.68 (43)	.72 (18)	—	3.64 (93)	—	4.36 (111)	1.31 (33)	.84 (21)

= "Most Popular"

Replacement Bowl Kits

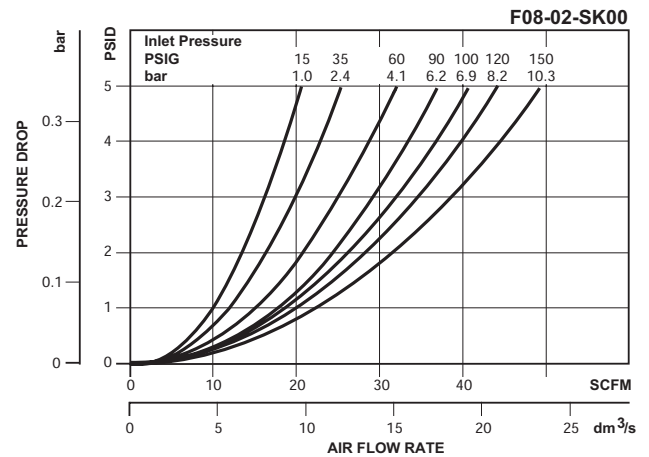
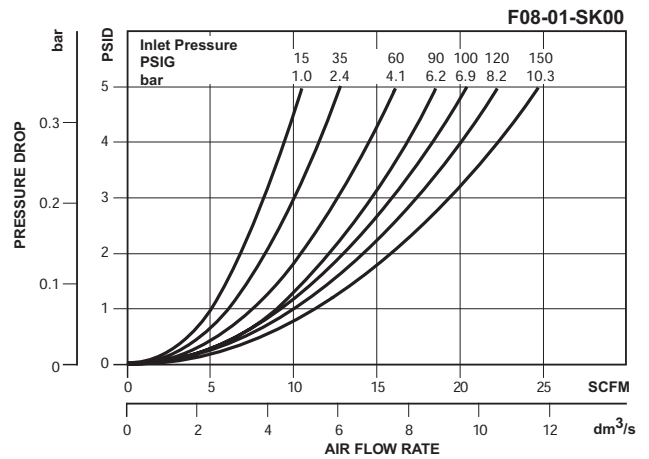
- Metal Bowl, Manual Drain.....GRP-96-714
- Plastic Bowl / Bowl Guard, Manual Drain.....GRP-96-712

Replacement Element Kit

- Type "A", 5 Micron FRP-96-729

Accessories

- Automatic Piston DrainGRP-96-716
- Wall Mounting Bracket –
- C-Type GPA-97-010
- T-Type GPA-96-737



Ordering Information

Model Type	Port Size	Plastic Bowl / Bowl Guard	Metal Bowl (No Sight Gauge)
Manual Drain	1/8	F08-01-SK00	F08-01-SL00
	1/4	F08-02-SK00	F08-02-SL00
Automatic Piston Drain	1/8	F08-01-SR00	F08-01-SS00
	1/4	F08-02-SR00	F08-02-SS00

Options - To order an option supplied with the unit model, add the appropriate coded suffix letter in the designated position of the model number.