

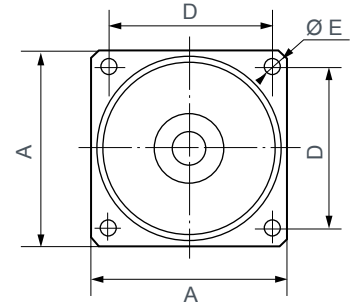
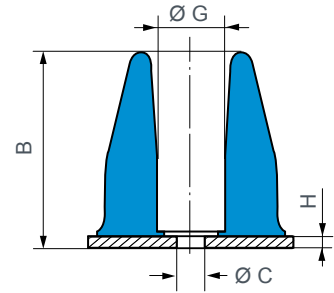
LEVAFLEX PROGRESSIVE STOPS

Reference	A (mm)	B (mm)	Ø C (mm)	D (mm)	Ø E (mm)	Ø G (mm)	H (mm)	Weight (g)
514085	85	85	8,5	69	8,5	20	5	600
514110	110	110	12,5	90	8,5	30	6	1 200
514130	130	130	19	106	11	40	6	2 000
514160	160	160	23	132	11	45	8	3 000
514200	200	200	28	168	13	60	10	7 000

See current price list for availability of items.

Repetitive shocks			Exceptional shock energy (joules)	Reference hardness
Energy (joules)	Corresponding deflection (mm)	Reaction (daN)		
170	40	1 200	500	514085/60
280	40	1 700	850	514085/75
330	50	1 800	1 000	514110/60
550	50	3 400	1 500	514110/75
600	65	2 800	1 800	514130/60
650	60	3 000	1 900	514130/75
1 050	75	4 500	3 000	514160/60
1 200	90	4 000	3 600	514200/60
1 300	70	6 000	3 900	514160/75
2 200	85	7 800	6 600	514200/75

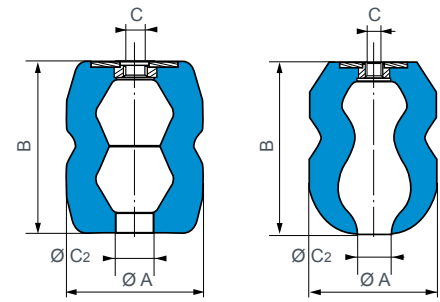
See current price list for availability of items.



EVIDGOM STOPS

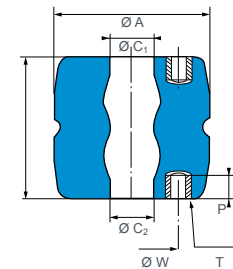
Repetitive shocks			Exceptional shock energy (joules)	Reference hardness
Energy (joules)	Corresponding deflection (mm)	Reaction (daN)		
31	30	190	95	810644
100	50	580	300	810645
110	45	600	330	810666
180	67	750	540	810642
350	75	1 250	1 050	810653
360	65	1 400	1 100	810655
400	85	1 500	1 200	810669
300	70	900	-	810784
600	75	1 625	-	810775
1 050	90	2 375	-	810776
2 500	90	5 500	-	810733/60
7 100	150	11 000	-	810732/60
9 500	200	9 500	-	810731/60
13 000	130	18 000	-	810732/75
17 500	175	19 000	-	810731/75
21 000	200	25 000	-	810735/60
29 000	250	35 000	-	810734/60
41 000	200	70 000	-	810735/75
50 000	250	55 000	-	810734/75

See current price list for availability of items.



Shape 1

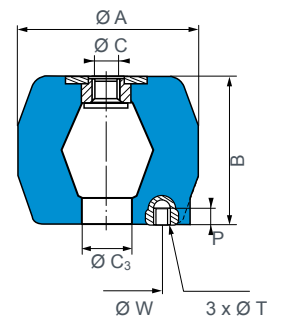
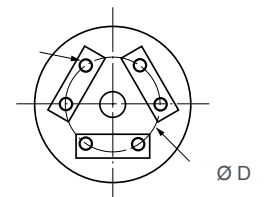
Shape 2



Shape 3

Stop reference	Shape	All rubber Evidgom reference	Ø A (mm)	B (mm)	C	Ø C1 (mm)	Ø C2 (mm)	Ø D (mm)	Ø A under load (mm)
810642	1	810022	85	120	M16	20	30	-	114
810644	1	810004	55	55	M10	14	14	-	72
810645	2	810035	66	93	M16	20	14	-	100
810653	1	810023	100	130	M16	20	30	-	140
810655	1	810025	110	132	M16	20	30	-	142
-	3	810026	60	100	-	14	20	-	75
-	3	810027	66	93	-	14	20	-	80
810666	2	810046	76	90	M16	20	14	-	98
810669	2	810029	110	150	M16	20	30	-	155
810731	3	-	250	400	2 x 6 x M24	70	70	150	360
810732	3	-	250	315	2 x 6 x M24	70	70	150	380
810733	3	-	250	230	2 x 6 x M24	70	70	150	370
810734	3	-	350	500	2 x 8 x M24	85	85	196	445
810735	3	-	350	395	2 x 8 x M24	85	85	196	500
810775	1	810015	155	150	M16	25	30	-	202
810776	1	810016	188	180	M24	40	40	-	256
810784	1	810014	125	140	M16	30	25	-	168

NOTA : The values are given for test conditions with an impact speed of 1 m/s. Consult us for speeds that are much higher.



Shape 4