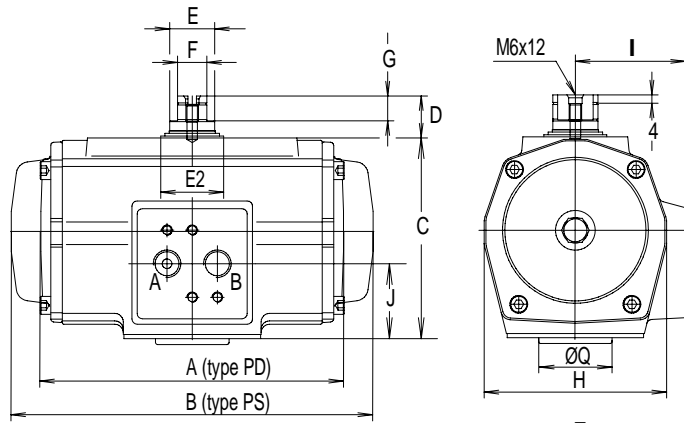


# DATASHEET

# type PS 2500 / PD 2500

(DIN version)



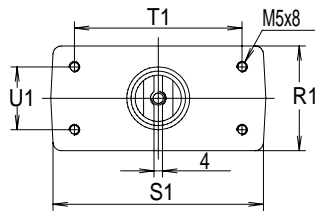
### working principle

pneumatic piston type rack and pinion actuator;  
quarter turn (0° to 90°)

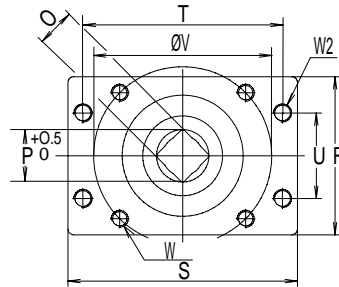
### general

construction	: suitable for indoor and outdoor installation
bore	: 300 mm
stroke	: 56,5 mm
weight	PS : 88,2 kg PD : 56,8 kg
air consumption	port A : 8,0 l port B : 9,3 l
air connection	: G1/4"
pressure range	PS : 3 to 8 bar PD : 0,2 to 8 bar
operating media	: air, dry or lubricated or non-corrosive gas
temperature	: -20°C bis +80°C
rotation angle	: 90°
coating	: polyester non-TGIC based powder

### flanges:



accessory side



valve side

### notes

- air consumption is the actual free air volume at 1 atm
- flange and square drive to DIN 3337 or DIN ISO 5211
- solenoid mounting interface acc. to VDI/VDE 3845 (according to NAMUR)
- optional temperature range -40°C to +80°C or -20°C to +120°C

### mounting options

code	mounting direction	action at spring tension (PS) or B-port preasurized (PD)	rotation when A-port preasurized (view from above)
A	in line	closing	ccw
B	across line	closing	ccw
C	across line	opening	cw
D	in line	opening	cw

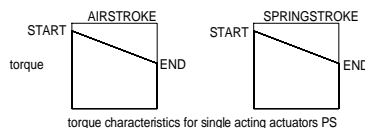
for further information see document 1.504 (PS) or 1.503 (PD)

### dimensions in mm

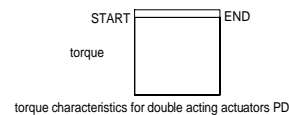
A	B	C	D	E	E2	F	G	H	I	J	Omax	Omin
378	570	356	30	55	65	36	10	350	183	178	46,16	46,00
P	Q	R	R1	S	S1	T	T1	U	U1	V	W	W2
60,2	130	170	160	290	245	234,6	130	97,2	30	165	M20x30	M16x25

### torque in Nm

PS 2500		airstroke																springstroke	
air pressure barg		3		3,5		4		4,5		5		5,5		6		7			
spring set		START	END	START	END	START	END	START	END	START	END	START	END	START	END	START	END	START	END
torque (Nm)	8	712	320	958	566	1203	811	1449	1057	1694	1302	1940	1548	2185	1794	2677	2285	1057	663
	10			774	283	1019	529	1265	775	1510	1020	1756	1266	2001	1511	2492	2002	1321	829
	12					835	247	1080	492	1326	738	1572	984	1817	1229	2308	1720	1585	995
	14							896	210	1142	456	1387	701	1633	947	2124	1438	1849	1160
PD 2500		2		3		3,5		4		4,5		5		5,5		6		7	
air pressure barg																			
torque (Nm)		953		1449		1694		1940		2186		2431		2677		2922		3413	



torque characteristics for single acting actuators PS



torque characteristics for double acting actuators PD

### European Directives

PED : suitable for use with group 2 gases according to Pressure Equipment Directive 97/23/EC  
ATEX : II 2 GD c IIC TX

- to determine the configuration code please see document 1.102.10
- for further information regarding materials, certifications and additional execution please contact your regional sales office
- a complete global listing can be found on [www.El-O-Matic.com](http://www.El-O-Matic.com)

Subject to change without notice

VALVE AUTOMATION  
DIVISION



Nr. 1.106.2500

Date: 01.03.2012

All rights reserved