



Catalog
WEIGHING PRODUCTS



10/2014

Our logistics offer...

Here is the information related to our logistics offer. Delivery time information is only indicative and cannot bind SCAIME in case of consignment delay.

WORLDWIDE EXPRESS DELIVERY

Our express deliveries are handled by Fedex. All these deliveries have a tracking number that can be supplied on request if you want to trace your parcel on the Fedex web site.

Express deliveries conditions:

FedEx

INTERNATIONAL PRIORITY

Order received at SCAIME before noon for shipment the same day
For all parcels up to 30 kg (not available for pallets)
Delivery time: 24 to 48 hours depending on the country (in EU)
Costs: please consult our sales department

All the information about the Fedex services and tracking is available on www.fedex.com

OTHER TRANSPORTATION MODES

For non express deliveries or pallets, we can offer solutions by road, air and sea freight. Please consult directly our Export Sales Department at +33 (0)4 50 87 78 64 or per mail: intsales@scaime.com



Catalog

WEIGHING PRODUCTS

The use of this catalog is exclusively restricted to the company:

who benefits from the specific conditions defined as per the following discount rates (DC):

R1: _____ %	R2: _____ %	R3: _____ %	R4: _____ %	R5: _____ %	R6: _____ %
-------------	-------------	-------------	-------------	-------------	-------------

Table of contents...

LOAD CELLS & ACCESSORIES

Single Point load cells...

BEF-F	8
AR	9
EP2	10
AQ	11
AL	12
AG	13
AG C3	14
AG C6	15
AH	16
AHN	17
AP	18
AP 1500	19
PM	20
PE	21
AK 60	22
AK 300	23
AXL	24
AXH	25

Digital load cells...

AAD-C	28
AAD-D	29
AXD-C	30
AXD-D	31

Bending Beam load cells...

F60X C3	34
F60X C6	35
MTPFA	36
LFC F60X	37
LFD 500	38
RUBBERKIT-FX	39
STABIFLEX-F	40

Shear Beam load cells...

S10A	42
SK30A	43
SK30X 2T	44
SK30X 5T	45
LFA	46
LFC SB/SK	47
LFD 5T	48
ISOFLEX 2T	49
ISOFLEX 5T	50
STABIFLEX-SK	51
DS5A	52

Tension load cells...

ZFA	54
ZFA ROD ENDS	55
ZA30X	56
ZA30X ROD ENDS	57
MTRD	58

Load pins...

M16	60
-----	----

Compression load cells...

RF10X	62
R10X	63
R10X PLATES KIT	64
SILOKIT-RX	65
SILOSAFE-R /-RX	66
RH10X	67
SILOSAFE-RH	68

CB50X	69
CB50X GDT	70
CB50X-DL	71
LPC	72
LPM/LPM-X	73
LPS-LPSH	74
STABICAN 60T	75
CA40X 200T	76
CA40X PLATES KIT	77
STABICAN 200T	78

ASSOCIATED ELECTRONICS

Conditioners...

CPJ / CPJ-2S	82
ENOD1-T	83
ENOD3 ALUBOX	84
ENOD3 DIN	85
ENOD3 JB4	86
ENOD4	87
ENOD4 PRO	88
ENOD4 ETH	89
ENODVIEW	90
DSP	91
PME SWT	92
ENOD TOUCH	93

Indicators...

IPC20	96
IPE50 PANEL	97
IPE50 DIN	98
IPC50	99
IPE100	100
TP200	101
IPE50 XLR/XLI	102
IPM25	103

Accessories...

ANALOG CABLE	106
DIGITAL CABLE	107
ALCJB-D4	108
ALCJB 1	109
ALCJB-A	110
ALCJB-X4	111
DLCJB-A	112
ZENER BARRIERS	113

AFTER SALES LOAD CELLS

BE	116
AB	117
SPEEDCELL AG	118
F30X	119
F60X 2T	120
F60X 5T	121
S30D/S30X	122
SD25X	123
SD25X-BT	124
C50ANX	125
CA40X 60T	126

SERVICES

SYSTEX	130
CALIBRATION	131
SERVICE	132

Alphabetical index...

A

AAD-C	28
AAD-D	29
AB	117
AG	13
AG C3	14
AG C6	15
AH	16
AHN	17
AK 60	22
AK 300	23
AL	12
ALCJB 1	109
ALCJB-A	110
ALCJB-D4	108
ALCJB-X4	111
ANALOG CABLE	106
AP	18
AP 1500	19
AQ	11
AR	9
AXD-C	30
AXD-D	31
AXH	25
AXL	24

B

BE	116
BEF-F	8

C

C50ANX	125
CA40X 60T	126
CA40X 200T	76
CA40X PLATES KIT	77
CALIBRATION	131
CB50X	69
CB50X-DL	71
CB50X GDT	70
CPJ / CPJ-2S	82

D

DIGITAL CABLE	107
DLCJB-A	112
DS5A	52
DSP	91

E

ENOD1-T	83
ENOD3 ALUBOX	84
ENOD3 DIN	85
ENOD3 JB4	86
ENOD4	87
ENOD4 ETH	89
ENOD4 PRO	88
ENOD TOUCH	93
ENODVIEW	90
EP2	10

F

F30X	119
F60X 2T	120
F60X 5T	121
F60X C3	34
F60X C6	35

I

IPC20	96
IPC50	99
IPE50 DIN	98
IPE50 PANEL	97
IPE50 XLR/XLI	102
IPE100	100
IPM25	103
ISOFLEX 2T	49
ISOFLEX 5T	50

L

LFA	46
LFC F60X	37
LFC SB/SK	47
LFD 5T	48
LFD 500	38
LPC	72
LPM/LPM-X	73
LPS-LPSH	74

M

M16	60
MTPFA	36
MTRD	58

P

PE	21
PM	20
PME SWT	92

R

R10X	63
R10X PLATES KIT	64
RF10X	62
RH10X	67
RUBBERKIT-FX	39

S

S10A	42
S30D/S30X	122
SD25X	123
SD25X-BT	124
SERVICE	132
SILOKIT-RX	65
SILOSAFE-RH	68
SILOSAFE-R /-RX	66
SK30A	43
SK30X 2T	44
SK30X 5T	45
SPEEDCELL AG	118
STABICAN 60T	75
STABICAN 200T	78
STABIFLEX-F	40
STABIFLEX-SK	51
SYSTEMEX	130

T

TP200	101
-------	-----

Z

ZA30X	56
ZA30X ROD ENDS	57
ZENER BARRIERS	113
ZFA	54
ZFA ROD ENDS	55



Load cells & Accessories

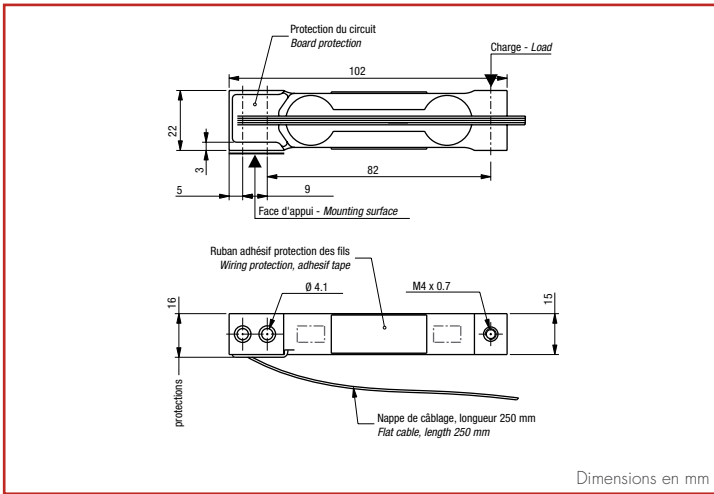
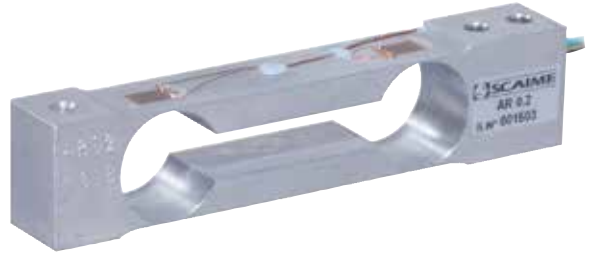
Single Point load cells...



AR

0.2 kg ... 1.2 kg

- Aluminum construction
- Very high precision, resolution up to 30 000 divisions
- Off-center load compensated
- Ideally suited for jewellery or laboratory scales



Signal at FS: 1 mV/V ±15 %
 Combined error: ±0.02 %FS
 Impedance (in/out): 410 Ω ±15 / 350 Ω ±5
 Compensated temperature range: -5 ... +35°C
 Platform size: up to 150 x 150 mm
 Cable/length: 4 wires flat cable / 0.25 m
 Warranty: 1 year

Dimensions en mm

+ Excit.: Black | + Sign.: Yellow | - Sign.: White | - Excit.: Green

Replace: TH 1004 (different dimensions)

P/N	Designation	FS	C.E.	DC
400977	LOAD CELL AR0.2	200 g	< ± 0.02 %	R1
400978	LOAD CELL AR0.6	600 g	< ± 0.02 %	R1
400979	LOAD CELL AR1.2	1.2 kg	< ± 0.02 %	R1

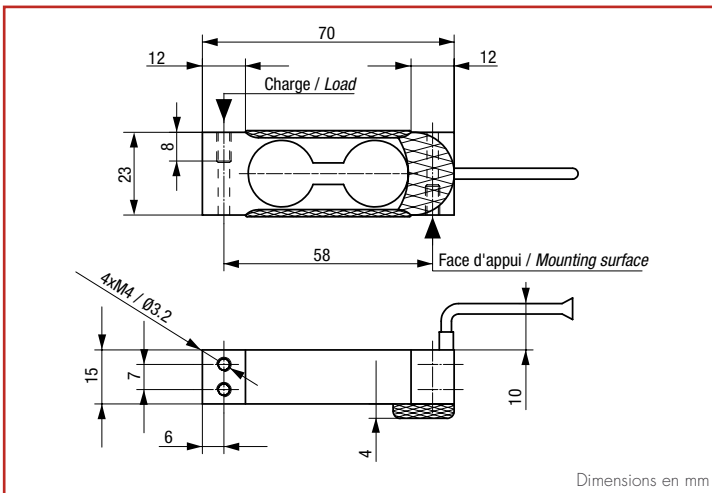
FS: rated capacity / v min = minimal interval (according to cert. OIML R60) / C.E. = Combined error in % of FS / DC = Code put back

EP2

2 kg



- Aluminum construction, protection class IP65
- Low profile design: 23 mm
- Off-center load compensated up to 120 x 120 mm
- Available with 1/4" - 20 UNC tapped holes: on request



Signal at FS: $2 \text{ mV/V} \pm 10 \%$
 Combined error: $\pm 0.05 \%$ FS
 Impedance (in/out): $410 \Omega \pm 15 / 350 \Omega \pm 5$
 Compensated temperature range: $-10 \dots +40^\circ\text{C}$
 Platform size: up to $120 \times 120 \text{ mm}$
 Cable/length: 4 shielded wires / 0.40 m
 Warranty: 1 year

+ Excit.: Red | + Sign.: Black | - Sign.: Blue | - Excit.: White

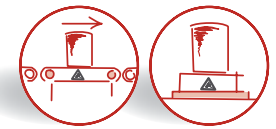
Replaces: BLH/NMB C2G1, HBM PW4F, Celtron LPS, PO 2 kg Scame

P/N	Designation	FS	V _{min.}	DC
400376	LOAD CELL EP2 (also replaces LOAD CELL PO2)	2 kg	1 g	R1

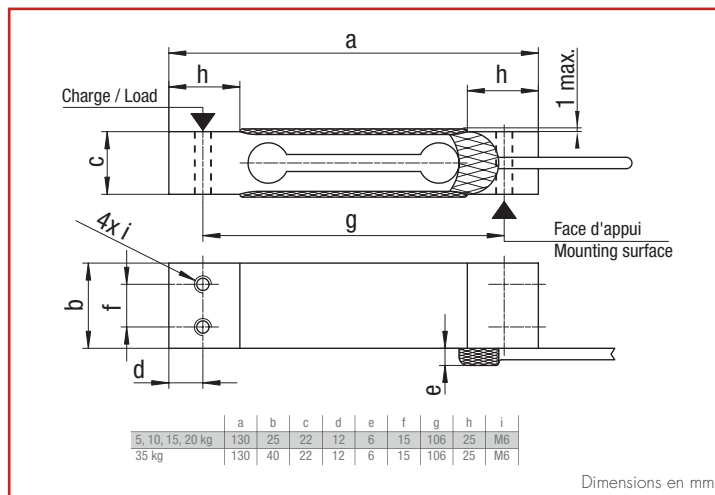
FS: rated capacity / v min = minimal interval (according to cert. OIML R60) / C.E. = Combined error in % of FS / DC = Code put back

AQ

5 kg ... 35 kg



- Aluminum construction, protection class IP65
- 3 000 d OIML R60 and 5 000 d NTEP approved
- Extremely compact construction
- Off-centered load compensated



+ Excit.: Red | + Sign.: Black | - Sign.: Blue | - Excit.: White



Signal at FS: 2 mV/V ±10 %
 Combined error: ±0.017 %FS
 Impedance (in/out): 410 Ω ±20 / 350 Ω ±5
 Compensated temperature range: -10 ... +40°C
 Platform size: up to 350 x 350 mm
 Cable/length: 4 shielded wires / 0.5 m
 Warranty: 1 year

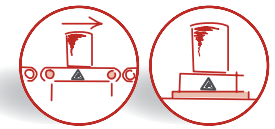
Replaces: TH 1022, HBM PW6K, Celtron IPS, CAS BCL, BLH/NMB C2G1

P/N	Designation	FS	v _{min.}	DC
400962	LOAD CELL AQ5 C3 SH 10e	5 kg	0.5 g	R1
400963	LOAD CELL AQ10 C3 SH 10e	10 kg	1 g	R1
400964	LOAD CELL AQ15 C3 SH 10e	15 kg	1.5 g	R1
400965	LOAD CELL AQ20 C3 SH 10e	20 kg	2 g	R1
401008	LOAD CELL AQ35 C3 SH 10e 1m	35 kg	3.5 g	R1
Option:				
850203	OPTIONAL PROTECTIVE COATING			R1

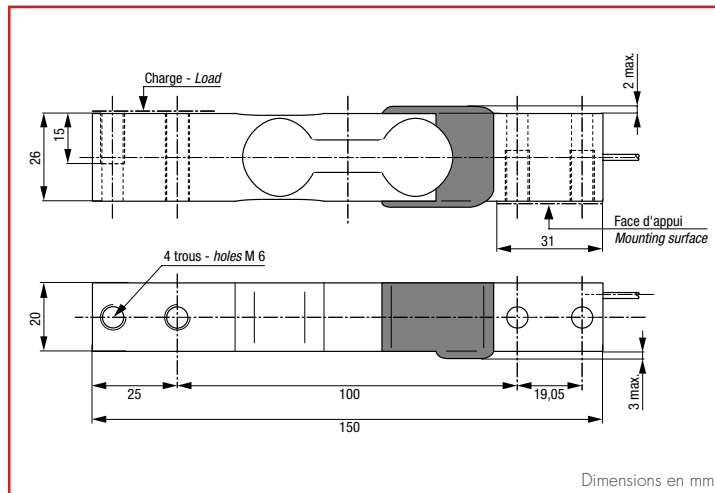
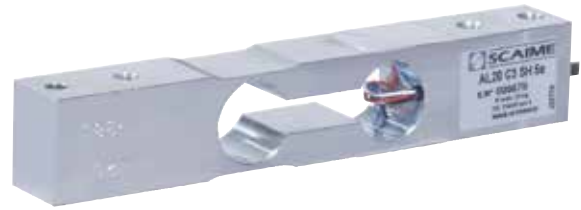
FS: rated capacity / v min = minimal interval (according to cert. OIML R60) / C.E. = Combined error in % of FS / DC = Code put back

AL

3 kg ... 30 kg



- Aluminum construction, protection class IP65
- 3 000 d OIML R60 and 5 000 d NTEP approved
- Off-centered load compensated
- Low cost model for high volume production



Dimensions en mm

+ Excit.: Red | + Sign.: Black | - Sign.: Blue | - Excit.: White



Signal at FS: 2 mV/V \pm 10 %
 Combined error: \pm 0.017 %FS
 Impedance (in/out): 410 Ω \pm 20 / 350 Ω \pm 5
 Compensated temperature range: -10 ... +40°C
 Platform size: up to 300 x 350 mm
 Cable/length: 4 shielded wires / 1 m
 Warranty: 1 year

Replaces: TH 1040/1042, HBM SP4, RT 642, CAS BCA, (+ 14 mm spacer)

P/N	Designation	FS	v _{min.}	DC
400778	LOAD CELL AL3 C3 SH 10e	3 kg	0.3 g	R1
400779	LOAD CELL AL5 C3 SH 10e	5 kg	0.5 g	R1
400780	LOAD CELL AL7 C3 SH 10e	7 kg	0.7 g	R1
400781	LOAD CELL AL10 C3 SH 10e	10 kg	1 g	R1
400782	LOAD CELL AL15 C3 SH 10e	15 kg	1.5 g	R1
400784	LOAD CELL AL30 C3 SH 10e	30 kg	3 g	R1
	Option:			
850203	OPTIONAL PROTECTIVE COATING			R1

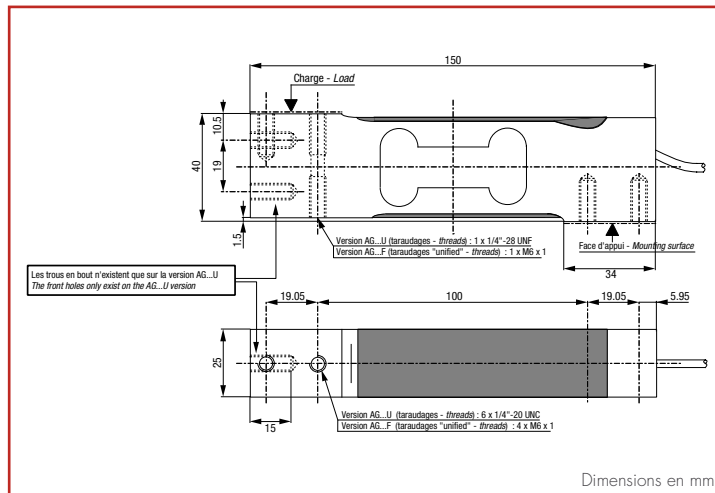
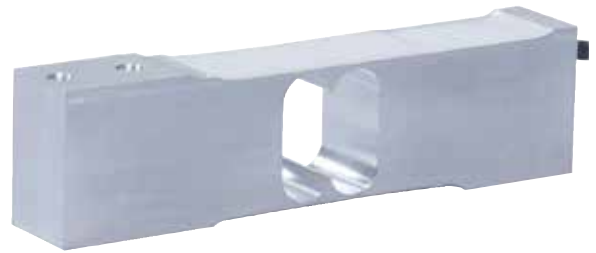
FS: rated capacity / v min = minimal interval (according to cert. OIML R60) / C.E. = Combined error in % of FS / DC = Code put back

AG

1 kg ... 2.5 kg



- Aluminum construction, protection class IP65
- 2 000 d OIML R60 approved
- Off-centered load compensated up to 200 x 200 mm
- Ideal for low capacity scales and force measurement
- Available with 1/4" - 20 UNC tapped holes: on request



Signal at FS: 2 mV/V \pm 10 %
 Combined error: \pm 0.033 %FS
 Impedance (in/out): 410 Ω \pm 15 / 350 Ω \pm 5
 Compensated temperature range: -10 ... +40°C
 Platform size: up to 200 x 200 mm
 Cable/length: 6 shielded wires / 3 m
 Warranty: 1 year

+ Excit.: Brown | + Sign.: Yellow | - Sign.: White | - Excit.: Green | + Sense: Grey | - Sense: Pink

Replaces: TH 1040/1042, HBM SP4, RT 642, ...

P/N	Designation	FS	v _{min.}	DC
400701	LOAD CELL AG1 C1.5 NH 3e F	1 kg	0.5 g	R1
400703	LOAD CELL AG2.5 C2 NH 3e F	2.5 kg	1 g	R1
Options:				
850203	OPTIONAL PROTECTIVE COATING			R1
850272	"SI" TEST FOR LOAD CELLS ATEX & IECEx - Ⓢ II 1 G/D, Ex ia IIC T6 Ga, Ex ia IIIC T80°C Da, IP6X, -20°C < Ta < +60°C (zone 0/20)			R2
850273	"n" TEST FOR LOAD CELLS ATEX & IECEx - Ⓢ II 3 G, Ex nA IIC T6 Gc, -20°C < Ta < +60°C (zone 2)			R2
850274	"DUST" MARKING FOR LOAD CELL ATEX & IECEx - Ⓢ II 1 D, Ex ia IIIC T125°C Da, IP6X, -20°C < Ta < +60°C (zones 20)			R2
850278	FACTORY MUTUAL MARKING FOR SCAIME LOAD CELLS IN HAZARDOUS AREAS			R2
	"GOSTex" TEST & MARKING FOR SCAIME LOAD CELLS IN HAZARDOUS AREAS: Consult us			

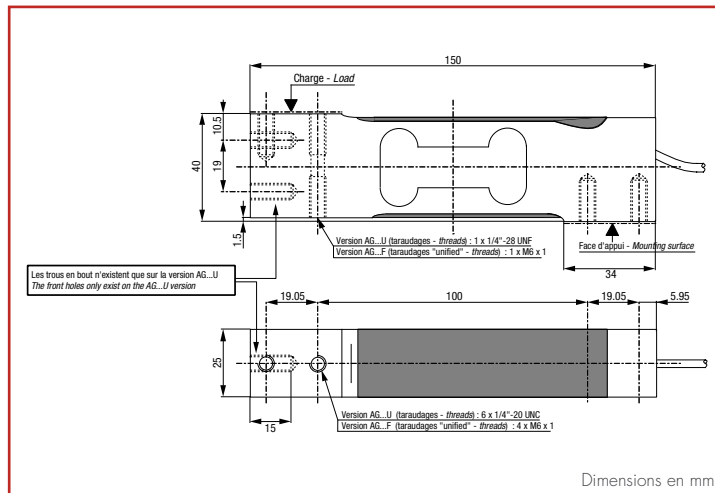
FS: rated capacity / v min = minimal interval (according to cert. OIML R60) / C.E. = Combined error in % of FS / DC = Code per back

AG C3

5 kg ... 100 kg



- Aluminum construction, protection class IP65
- 3 000 d OIML R60 and 5 000 d NTEP approved
- Off-centered load compensated up to 400 x 400 mm
- Ideal for single point scales or batching/dosing machines
- Available with 1/4" - 20 UNC tapped holes: on request



Signal at FS: 2 mV/V ±10 %
 Combined error: ±0.017 %FS
 Impedance (in/out): 410 Ω ±15 / 350 Ω ±5
 Compensated temperature range: -10 ... +40°C
 Platform size: up to 400 x 400 mm
 Cable/length: 6 shielded wires / 3 m
 Warranty: 1 year

+ Excit.: Brown | + Sign.: Yellow | - Sign.: White | - Excit.: Green | + Sense: Grey | - Sense: Pink

Replaces: TH 1040/1042, HBM SP4, RT642, Celtron LOC, CAS BCA

P/N	Designation	FS	v _{min.}	DC
Approved versions OIML C3, Y = 10 000				
400755	LOAD CELL AG10 C3 SH 10e F	10 kg	1 g	R1
400756	LOAD CELL AG15 C3 SH 10e F	15 kg	1.5 g	R1
400757	LOAD CELL AG20 C3 SH 10e F	20 kg	2 g	R1
400758	LOAD CELL AG30 C3 SH 10e F	30 kg	3 g	R1
400981	LOAD CELL AG50 C3 SH 10e F	50 kg	5 g	R1
400982	LOAD CELL AG75 C3 SH 10e F	75 kg	7.5 g	R1
400983	LOAD CELL AG100 C3 SH 10e F	100 kg	10 g	R1
Approved version OIML C3, Y = 5 000: Consult us				
400716	LOAD CELL AG5 C3 SH 5e F	5 kg	1 g	R1
Options:				
850203	OPTIONAL PROTECTIVE COATING			R1
850272	"SI" TEST FOR LOAD CELLS ATEX & IECEx - Ⓢ II 1 G/D, Ex ia IIC T6 Ga, Ex ia IIIC T80°C Da, IP6X, -20°C < Ta < +60°C (zone 0/20)			R2
850273	"n" TEST FOR LOAD CELLS ATEX & IECEx - Ⓢ II 3 G, Ex nA IIC T6 Gc, -20°C < Ta < +60°C (zone 2)			R2
850274	"DUST" MARKING FOR LOAD CELL ATEX & IECEx - Ⓢ II 1 D, Ex Ia IIIC T125°C Da, IP6X, -20°C < Ta < +60°C (zones 20)			R2
850278	FACTORY MUTUAL MARKING FOR SCAIME LOAD CELLS IN HAZARDOUS AREAS			R2
	"GOSTex" TEST & MARKING FOR SCAIME LOAD CELLS IN HAZARDOUS AREAS: Consult us			
Related product:				
	SPEEDCELL AG			

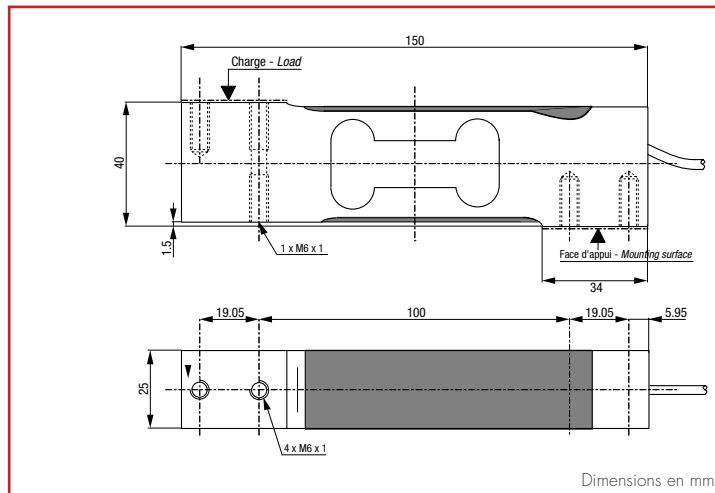
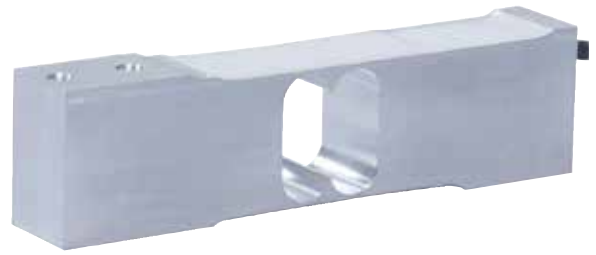
FS: rated capacity / v_{min.} = minimal interval (according to cert. OIML R60) / C.E. = Combined error in % of FS / DC = Code per block

AG C6

18 kg ... 100 kg



- Aluminum construction, protection class IP65
- 6 000 d OIML R60 approved
- Off-centered load compensated up to 400 x 400 mm
- Ideal for single point multirange scales or batching/dosing machines



Signal at FS: 2 mV/V \pm 10 %
 Combined error: \pm 0.008 %FS
 Impedance (in/out): 410 Ω \pm 15 / 350 Ω \pm 5
 Compensated temperature range: -10 ... +40°C
 Platform size: up to 400 x 400 mm
 Cable: 6 shielded wires
 Length: 3 m (except 18 and 36 kg: 1 m)
 Warranty: 1 year

+ Excit.: Brown | + Sign.: Yellow | - Sign.: White | - Excit.: Green | + Sense: Grey | - Sense: Pink

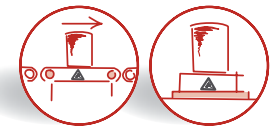
Replaces: TH 1040/1042, HBM SP4, RT642, Celtron LOC, CAS BCA

P/N	Designation	FS	V _{min.}	DC
Approved versions OIML C6, Y = 10 000 / 15 000 / 18 000				
400648	LOAD CELL AG18 C6 SH 18e F 1m	18 kg	1 g	R1
400649	LOAD CELL AG36 C6 SH 18e F 1m	36 kg	2 g	R1
400984	LOAD CELL AG50 C6 SH 10e F	50 kg	5 g	R1
400985	LOAD CELL AG75 C6 SH 15e F	75 kg	5 g	R1
400986	LOAD CELL AG100 C6 SH 10e F	100 kg	10 g	R1
Options:				
850203	OPTIONAL PROTECTIVE COATING			R1
850272	"SI" TEST FOR LOAD CELLS ATEX & IECEx - Ⓢ II 1 G/D, Ex ia IIC T6 G _a , Ex ia IIIC T80°C D _a , IP6X, -20°C < T _a < +60°C (zone 0/20)			R2
850273	"n" TEST FOR LOAD CELLS ATEX & IECEx - Ⓢ II 3 G, Ex nA IIC T6 G _c , -20°C < T _a < +60°C (zone 2)			R2
850274	"DUST" MARKING FOR LOAD CELL ATEX & IECEx - Ⓢ II 1 D, Ex Ia IIIC T125°C D _a , IP6X, -20°C < T _a < +60°C (zones 20)			R2
850278	FACTORY MUTUAL MARKING FOR SCAIME LOAD CELLS IN HAZARDOUS AREAS			R2
	"GOSTEx" TEST & MARKING FOR SCAIME LOAD CELLS IN HAZARDOUS AREAS: Consult us			

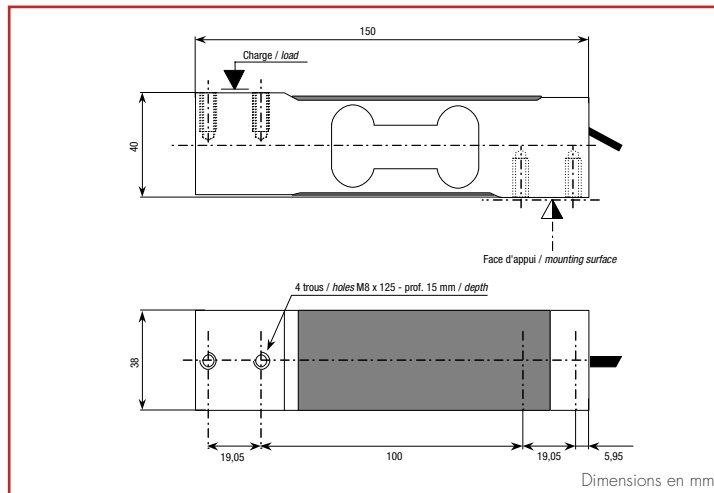
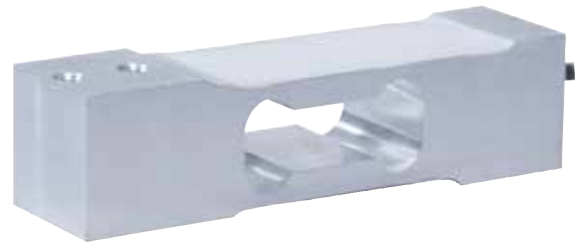
FS: rated capacity / v min = minimal interval (according to cert. OIML R60) / C.E. = Combined error in % of FS / DC = Code per back

AH

30 kg ... 200 kg



- Aluminum construction, protection class IP65
- 6 000 d OIML R60 approved
- Off-centered load compensated up to 500 x 500 mm
- Low profile design



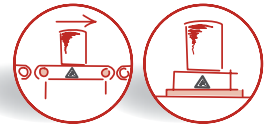
Signal at FS: 2 mV/V \pm 10 %
 Combined error: \pm 0.017 %FS
 Impedance (in/out): 410 Ω \pm 20 / 350 Ω \pm 5
 Compensated temperature range: -10 ... +40°C
 Platform size: up to 500 x 500 mm
 Cable/length: 6 shielded wires / 3 m
 Warranty: 1 year

+ Excit.: Brown | + Sign.: Yellow | - Sign.: White | - Excit.: Green | + Sense: Grey | - Sense: Pink

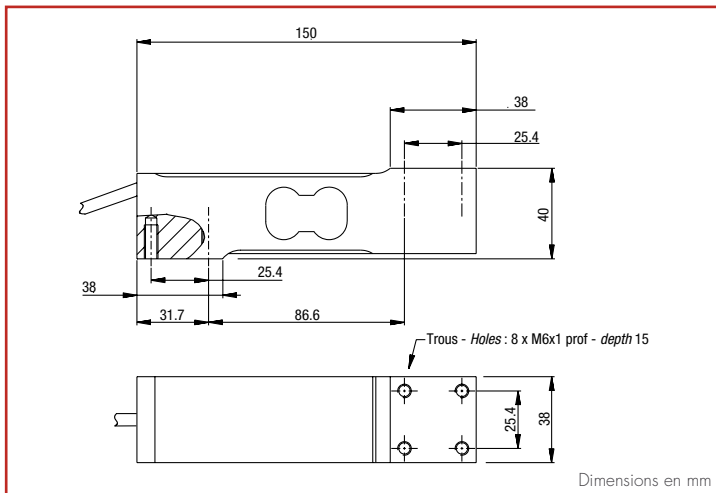
Replaces: TH 1241, HBM PW10

P/N	Designation	FS	V _{min.}	DC
Approved versions OIML C3, Y = 10 000				
403100	LOAD CELL AH30 C3 SH 6e	30 kg	5 g	R1
403105	LOAD CELL AH50 C3 SH 10e	50 kg	5 g	R1
403106	LOAD CELL AH100 C3 SH 10e	100 kg	10 g	R1
403107	LOAD CELL AH200 C3 SH 10e	200 kg	20 g	R1
Approved versions OIML C3, Y = 5 000: Consult us				
Approved versions OIML C6, Y = 10 000				
400990	LOAD CELL AH50 C6 SH 10e F	50 kg	5 g	R1
400991	LOAD CELL AH100 C6 SH 10e F	100 kg	10 g	R1
400992	LOAD CELL AH200 C6 SH 10e F	200 kg	20 g	R1
Options:				
850203	OPTIONAL PROTECTIVE COATING			R1
850272	"SI" TEST FOR LOAD CELLS ATEX & IECEx - Ⓢ II 1 G/D, Ex ia IIC T6 Ga, Ex ia IIIC T80°C Da, IP6X, -20°C < Ta < +60°C (zone 0/20)			R2
850273	"n" TEST FOR LOAD CELLS ATEX & IECEx - Ⓢ II 3 G, Ex nA IIC T6 Gc, -20°C < Ta < +60°C (zone 2)			R2
850274	"DUST" MARKING FOR LOAD CELL ATEX & IECEx - Ⓢ II 1 D, Ex ia IIIC T125°C Da, IP6X, -20°C < Ta < +60°C (zones 20)			R2
850278	FACTORY MUTUAL MARKING FOR SCAIME LOAD CELLS IN HAZARDOUS AREAS			R2
	"GOSTEx" TEST & MARKING FOR SCAIME LOAD CELLS IN HAZARDOUS AREAS: Consult us			

FS: rated capacity / v min = minimal interval (according to cert. OIML R60) / C.E. = Combined error in % of FS / DC = Code per back



- Aluminum construction, protection class IP65
- 4 000 d OIML R60 approved
- Off-centered load compensated
- Low profile design
- 4 fixing holes



- Signal at FS: $2 \text{ mV/V} \pm 10\%$
- Combined error: $\pm 0.017\% \text{ FS}$
- Impedance (in/out): $410 \Omega \pm 20 / 350 \Omega \pm 5$
- Compensated temperature range: $-10 \dots +40^\circ\text{C}$
- Platform size: up to $500 \times 500 \text{ mm}$
- Cable/length: 6 shielded wires / 3 m
- Warranty: 1 year

+ Excit.: Brown | + Sign.: Yellow | - Sign.: White | - Excit.: Green | + Sense: Grey | - Sense: Pink

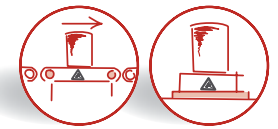
Replaces: TH 1241, HBM PW10

P/N	Designation	FS	v_{min}	DC
430500	Approved version OIML C4, Y = 10 000 LOAD CELL AHN250 C4 SH 10e F	250 kg	25 g	R1
850203	Option: OPTIONAL PROTECTIVE COATING			R1

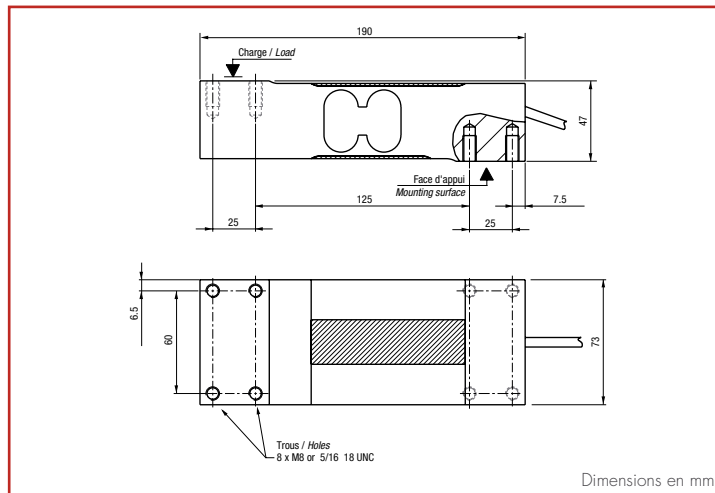
FS: rated capacity / v min = minimal interval (according to cert. OIML R60) / C.E. = Combined error in % of FS / DC = Code per back

AP

75 kg ... 635 kg



- Aluminum construction, protection class IP65
- 3 000 d OIML R60 and 5 000 d NTEP approved
- Off-center load compensated
- Super flat construction



Signal at FS: 2 mV/V ±10 %
 Combined error: ±0.017 %FS
 Impedance (in/out): 410 Ω ±20 / 350 Ω ±5
 Compensated temperature range: -10 ... +40°C
 Platform size: up to 700 x 700 mm
 Cable/length: 6 shielded wires / 3 m
 Warranty: 1 year

+ Excit.: Brown | + Sign.: Yellow | - Sign.: White | - Excit.: Green | + Sense: Grey | - Sense: Pink

Replaces: TH 1250, HBM PW12, RT 652, Celtron LOC, CAS BCM, Sensortronics 60060 (+ spacer 28 mm)

P/N	Designation	FS	v _{min.}	DC
Approved versions OIML C3, Y = 10 000				
400904	LOAD CELL AP75 C3 SH 10e F	75 kg	7.5 g	R1
400905	LOAD CELL AP100 C3 SH 10e F	100 kg	10 g	R1
400906	LOAD CELL AP150 C3 SH 10e F	150 kg	15 g	R1
400907	LOAD CELL AP200 C3 SH 10e F	200 kg	20 g	R1
400909	LOAD CELL AP300 C3 SH 10e F	300 kg	30 g	R1
400910	LOAD CELL AP500 C3 SH 10e F	500 kg	50 g	R1
400911	LOAD CELL AP635 C3 SH 10e F	635 kg	63.5 g	R1
Options:				
850203	OPTIONAL PROTECTIVE COATING			R1
850272	"SI" TEST FOR LOAD CELLS ATEX & IECEx - Ⓢ II 1 G/D, Ex ia IIC T6 Ga, Ex ia IIIC T80°C Da, IP6X, -20°C < Ta < +60°C (zone 0/20)			R2
850273	"n" TEST FOR LOAD CELLS ATEX & IECEx - Ⓢ II 3 G, Ex nA IIC T6 Gc, -20°C < Ta < +60°C (zone 2)			R2
850274	"DUST" MARKING FOR LOAD CELL ATEX & IECEx - Ⓢ II 1 D, Ex ia IIIC T1 25°C Da, IP6X, -20°C < Ta < +60°C (zones 20)			R2
850278	FACTORY MUTUAL MARKING FOR SCAIME LOAD CELLS IN HAZARDOUS AREAS			R2
	"GOSTEx" TEST & MARKING FOR SCAIME LOAD CELLS IN HAZARDOUS AREAS: Consult us			

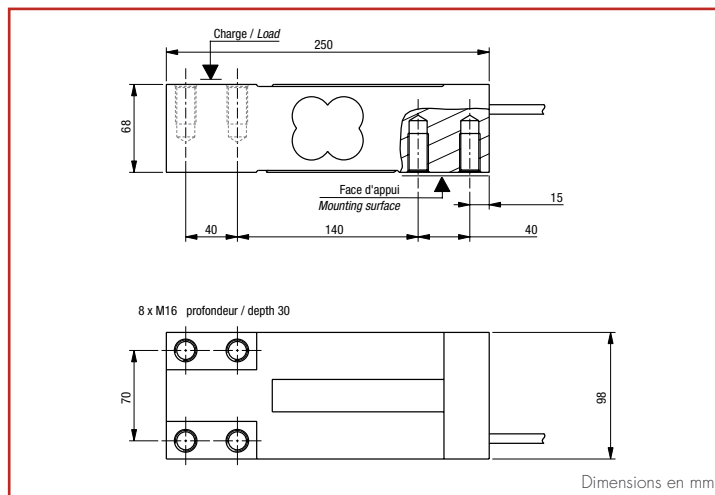
FS: rated capacity / v min = minimal interval (according to cert. OIML R60) / C.E. = Combined error in % of FS / DC = Code per back

AP 1500

1 500 kg



- Aluminum construction, protection class IP65
- 3 000 d OIML R60 and 5 000 d NTEP approved
- Off-center load compensated
- Suited for high capacity and low profile scales



Signal at FS: 2 mV/V ±10 %
 Combined error: ±0.017 %FS
 Impedance (in/out): 410 Ω ±20 / 350 Ω ±5
 Compensated temperature range: -10 ... +40°C
 Platform size: 1 000 x 1 000 for a use in scale with max. capacity of 1 000 kg
 Cable/length: 6 shielded wires / 3 m
 Warranty: 1 year

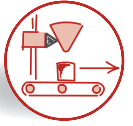
+ Excit.: Brown | + Sign.: Yellow | - Sign.: White | - Excit.: Green | + Sense: Grey | - Sense: Pink

P/N	Designation	FS	v _{min.}	DC
400912	Approved version OIML C3, Y = 5 000 LOAD CELL AP1500 C3 SH 5e F	1 500 kg	300 g	R1
850203	Options: OPTIONAL PROTECTIVE COATING			R1
850272	"SI" TEST FOR LOAD CELLS ATEX & IECEx - Ⓢ II 1 G/D, Ex ia IIC T6 Ga, Ex ia IIIC T80°C Da, IP6X, -20°C < Ta < +60°C (zone 0/20)			R2
850273	"n" TEST FOR LOAD CELLS ATEX & IECEx - Ⓢ II 3 G, Ex nA IIC T6 Gc, -20°C < Ta < +60°C (zone 2)			R2
850274	"DUST" MARKING FOR LOAD CELL ATEX & IECEx - Ⓢ II 1 D, Ex ia IIIC T125°C Da, IP6X, -20°C < Ta < +60°C (zones 20)			R2
850278	FACTORY MUTUAL MARKING FOR SCAIME LOAD CELLS IN HAZARDOUS AREAS "GOSTEx" TEST & MARKING FOR SCAIME LOAD CELLS IN HAZARDOUS AREAS: Consult us			R2

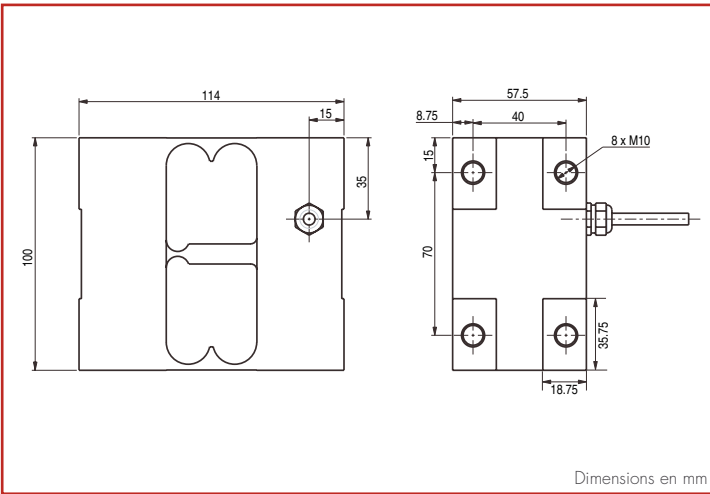
FS: rated capacity / v_{min.} = minimal interval (according to cert. OIML R60) / C.E. = Combined error in % of FS / DC = Code put back

PM

150 kg



- Load cell made of anodized aluminum, IP67 protection level
- Suited for tank weighing with side mounting
- Designed for use in harsh environments
- Off-centered load compensated up to 600 x 600 mm



Signal at FS: 1.2 mV/V ±10 %
 Combined error: ±0.033 %FS
 Impedance (in/out): 410 Ω ±20 / 350 Ω ±5
 Compensated temperature range: -10 ... +40°C
 Platform size: 600 x 600 mm
 Cable/length: 4 shielded wires / 3 m
 Warranty: 1 year

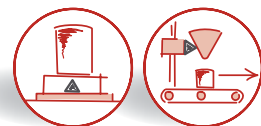
+ Excit.: Red | + Sign.: Green | - Sign.: White | - Excit.: Blue | + Sense: Pink | - Sense: Grey

P/N	Designation	FS	C.E.	DC
400511	LOAD CELL PM150 HSP	150 kg	< ±0.033 %	R1

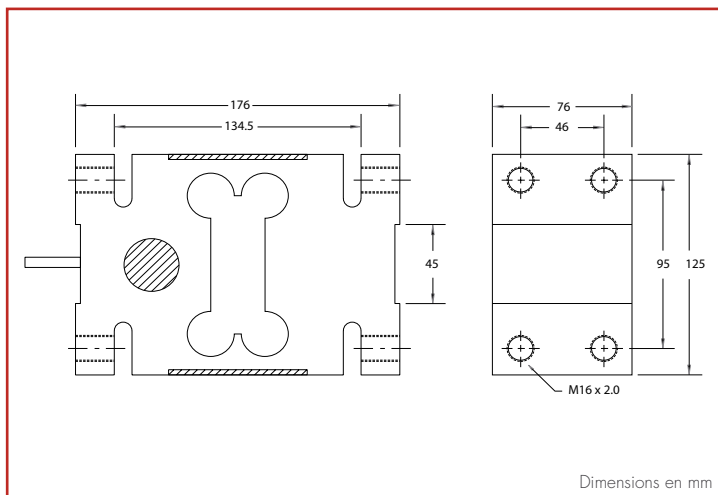
FS: rated capacity / v min = minimal interval (according to cert. OIML R60) / C.E. = Combined error in % of FS / DC = Code per block

PE

2 t



- Aluminum construction
- Compact and easy to install
- Designed for tanks or hoppers in wall mounting
- Off-center load compensated



Signal at FS: 2 mV/V \pm 10 %
 Combined error: \pm 0.03 %FS full scale
 Impedance (in/out): 410 Ω \pm 20 / 350 Ω \pm 5
 Compensated temperature range: -10 ... +40°C
 Platform size: 800 x 1 000 mm
 Cable/length: 4 shielded wires / 10 m
 Warranty: 1 year

+ Excit.: Red | + Sign.: Green | - Sign.: White | - Excit.: Blue

P/N	Designation	FS	C.E.	DC
799320	LOAD CELL PE 2 000	2 t	< \pm 0.03 %	R1

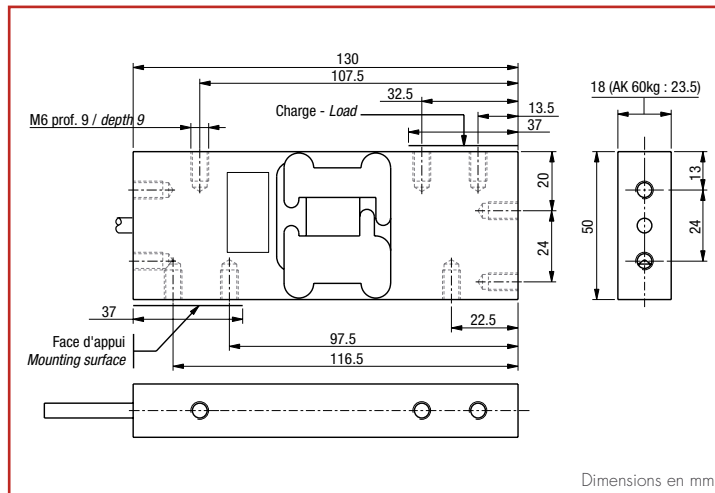
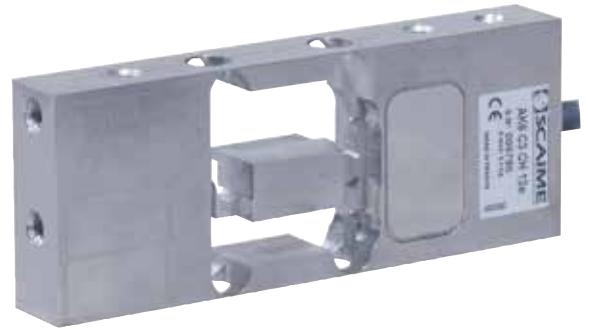
FS: rated capacity / v min = minimal interval (according to cert. OIML R60) / C.E. = Combined error in % of FS / DC = Code pul back

AK 60

6 kg ... 60 kg



- Stainless steel construction, hermetically welded (IP68), suited for use in humid and corrosive environments
- 3 000 d OIML R60 and 5 000 d NTEP approved
- Optimized for dynamic weighing (deflection < 0.25mm)
- Side fixing holes for use in multi-head weighers



Signal at FS: 2 mV/V ±10 %
 Combined error: ±0.017 %FS
 Impedance (in/out): 385 Ω ±20 / 350 Ω ±5
 Compensated temperature range: -10 ... +40°C
 Platform size: up to 420 x 420 mm
 Cable/length: 6 shielded wires / 3 m
 Warranty: 3 years

+ Excit.: Brown | + Sign.: Yellow | - Sign.: White | - Excit.: Green | + Sense: Grey | - Sense: Pink

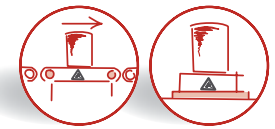
Replace: RT HPS

P/N	Designation	FS	v _{min.}	DC
Approved versions OIML C3, Y = 12 000				
403003	LOAD CELL AK6 C3 CH 12e	6 kg	0.5 g	R1
403008	LOAD CELL AK12 C3 CH 12e	12 kg	1 g	R1
403013	LOAD CELL AK30 C3 CH 12e	30 kg	2.5 g	R1
403018	LOAD CELL AK60 C3 CH 12e	60 kg	5 g	R1
Options:				
850272	"SI" TEST FOR LOAD CELLS ATEX & IECEx - Ⓢ II 1 G/D, Ex ia IIC T6 Ga, Ex ia IIIC T80°C Da, IP6X, -20°C < Ta < +60°C (zone 0/20)			R2
850273	"n" TEST FOR LOAD CELLS ATEX & IECEx - Ⓢ II 3 G, Ex nA IIC T6 Gc, -20°C < Ta < +60°C (zone 2)			R2
850274	"DUST" MARKING FOR LOAD CELL ATEX & IECEx - Ⓢ II 1 D, Ex ia IIIC T125°C Da, IP6X, -20°C < Ta < +60°C (zones 20)			R2
850278	FACTORY MUTUAL MARKING FOR SCAIME LOAD CELLS IN HAZARDOUS AREAS			R2
	"GOSTEx" TEST & MARKING FOR SCAIME LOAD CELLS IN HAZARDOUS AREAS: Consult us			

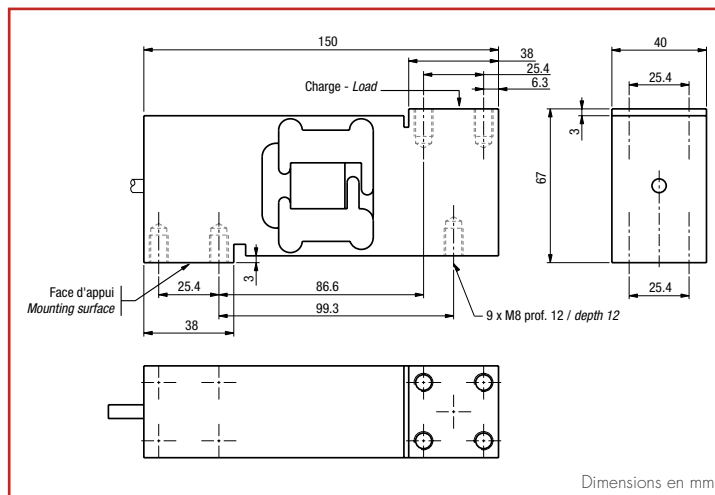
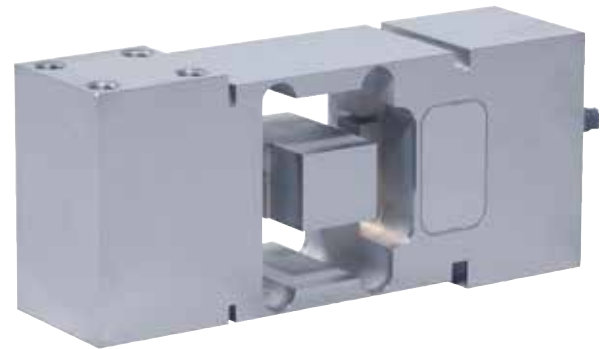
FS: rated capacity / v min = minimal interval (according to cert. OIML R60) / C.E. = Combined error in % of FS / DC = Code per back

AK 300

120 kg ... 300 kg



- Stainless steel construction, hermetically welded (IP68)
- 3 000 d OIML R60 and 5 000 d NTEP approved
- Ideally suited for single point scales in humid and corrosive environments
- Off-center load compensated



Signal at FS: 2 mV/V \pm 10 %
 Combined error: \pm 0.017 %FS
 Impedance (in/out): 385 Ω \pm 20 / 350 Ω \pm 5
 Compensated temperature range: -10 ... +40°C
 Platform size: up to 600 x 600 mm
 Cable/length: 6 shielded wires / 3 m
 Warranty: 3 years

+ Excit.: Brown | + Sign.: Yellow | - Sign.: White | - Excit.: Green | + Sense: Grey | - Sense: Pink

Replace: TH 1510 (+ 6 mm spacer)

P/N	Designation	FS	v _{min.}	DC
Approved versions OIML C3, Y = 10 000				
403023	LOAD CELL AK120 C3 CH 12e	120 kg	10 g	R1
403028	LOAD CELL AK300 C3 CH 12e	300 kg	25 g	R1
Options:				
850272	"SI" TEST FOR LOAD CELLS ATEX & IECEx - Ⓢ II 1 G/D, Ex ia IIC T6 Ga, Ex ia IIIC T80°C Da, IP6X, -20°C < Ta < +60°C (zone 0/20)			R2
850273	"n" TEST FOR LOAD CELLS ATEX & IECEx - Ⓢ II 3 G, Ex nA IIC T6 Gc, -20°C < Ta < +60°C (zone 2)			R2
850274	"DUST" MARKING FOR LOAD CELL ATEX & IECEx - Ⓢ II 1 D, Ex ia IIIC T125°C Da, IP6X, -20°C < Ta < +60°C (zones 20)			R2
850278	FACTORY MUTUAL MARKING FOR SCAIME LOAD CELLS IN HAZARDOUS AREAS			R2
	"GOSTEx" TEST & MARKING FOR SCAIME LOAD CELLS IN HAZARDOUS AREAS: Consult us			

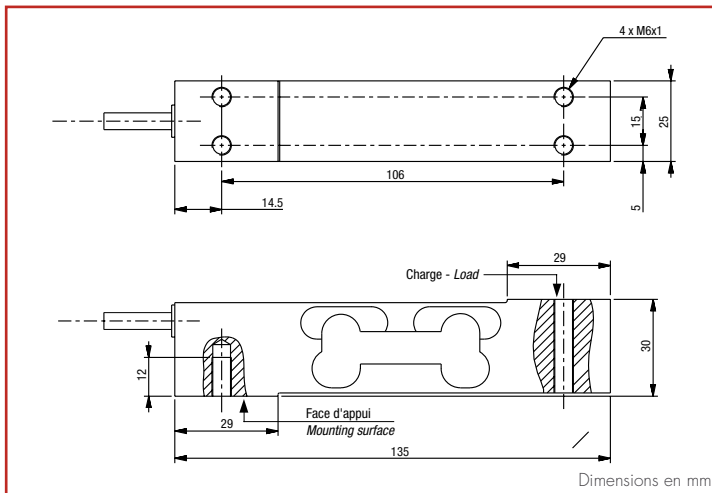
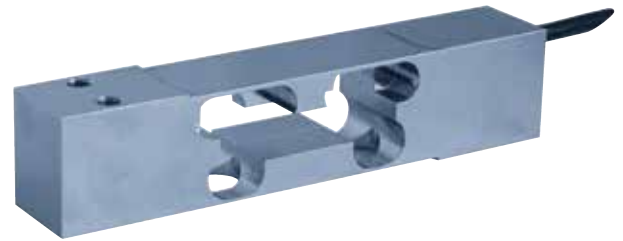
FS: rated capacity / v min = minimal interval (according to cert. OIML R60) / C.E. = Combined error in % of FS / DC = Code per back

AXL

10 kg ... 75 kg



- Stainless steel construction, hermetically welded (IP68, IP69K)
- 3 000 d OIML R60 approved (up to 50 kg)
- Ideally suited for platform scales in humid and corrosive environments
- Off-center load compensated
- Patented design to combine high accuracy and high environmental protection level



Signal at FS: 2 mV/V \pm 10 %
 Combined error: \pm 0.017 %FS
 Impedance (in/out): 385 Ω \pm 20 / 350 Ω \pm 5
 Compensated temperature range: -10 ... +40°C
 Platform size: 400 x 400 mm
 Cable/length: 6 shielded wires / 3 m
 Warranty: 3 years

+ Excit.: Brown | + Sign.: Yellow | - Sign.: White | - Excit.: Green | + Sense: Grey | - Sense: Pink

P/N	Designation	FS	V _{min.}	DC
403030	LOAD CELL AXL10 C3 CH 5e	10 kg	2 g	R1
403031	LOAD CELL AXL15 C3 SH 15e	15 kg	1 g	R1
403032	LOAD CELL AXL20 C3 SH 10e	20 kg	2 g	R1
403034	LOAD CELL AXL50 C3 SH 10e	50 kg	5 g	R1
403035	LOAD CELL AXL75 C3 SH 15e	75 kg	5 g	R1
Options:				
850272	"SI" TEST FOR LOAD CELLS ATEX & IECEx - Ⓢ II 1 G/D, Ex ia IIC T6 Ga, Ex ia IIIC T80°C Da, IP6X, -20°C < Ta < +60°C [zone 0/20]			R2
850273	"n" TEST FOR LOAD CELLS ATEX & IECEx - Ⓢ II 3 G, Ex nA IIC T6 Gc, -20°C < Ta < +60°C [zone 2]			R2
850274	"DUST" MARKING FOR LOAD CELL ATEX & IECEx - Ⓢ II 1 D, Ex ia IIIC T125°C Da, IP6X, -20°C < Ta < +60°C [zones 20] "GOSTEx" TEST & MARKING FOR SCAIME LOAD CELLS IN HAZARDOUS AREAS: Consult us			R2

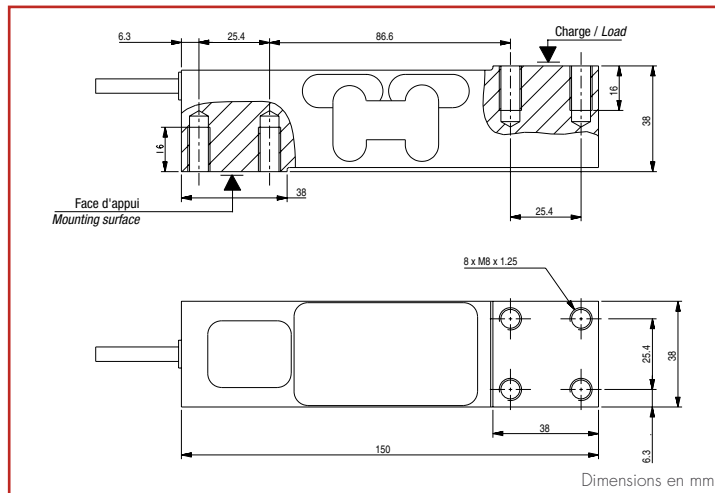
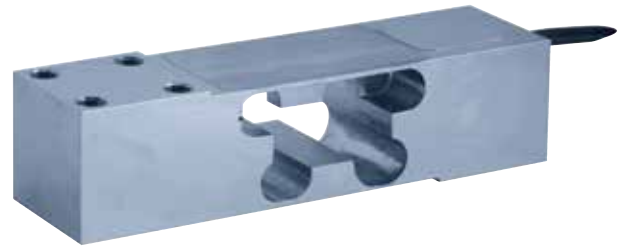
FS: rated capacity / v min = minimal interval (according to cert. OIML R60) / C.E. = Combined error in % of FS / DC = Code put back

AXH

100 kg ... 500 kg



- Stainless steel construction, hermetically welded (IP68, IP69K)
- 3 000 d OIML R60 approved
- Ideally suited for single point scales in humid and corrosive environments
- Off-center load compensated
- Patented design to combine high accuracy and high environmental protection level



Signal at FS: 2 mV/V ±10 %
 Combined error: ±0.017 %FS
 Impedance (in/out): 385 Ω ±20 / 350 Ω ±5
 Compensated temperature range: -10 ... +40°C
 Platform size: 600 x 600 mm
 Cable/length: 6 shielded wires / 3 m
 Warranty: 3 years

+ Excit.: Brown | + Sign.: Yellow | - Sign.: White | - Excit.: Green | + Sense: Grey | - Sense: Pink

P/N	Designation	FS	v _{min.}	DC
403037	LOAD CELL AXH100 C3 CH 10e	100 kg	10 g	R1
403038	LOAD CELL AXH250 C3 CH 12e5	250 kg	20 g	R1
403040	LOAD CELL AXH500 C3 CH 10e	500 kg	50 g	R1
Options:				
850272	"SI" TEST FOR LOAD CELLS ATEX & IECEx - Ⓢ II 1 G/D, Ex ia IIC T6 Ga, Ex ia IIIC T80°C Da, IP6X, -20°C < Ta < +60°C (zone 0/20)			R2
850273	"n" TEST FOR LOAD CELLS ATEX & IECEx - Ⓢ II 3 G, Ex nA IIC T6 Gc, -20°C < Ta < +60°C (zone 2)			R2
850274	"DUST" MARKING FOR LOAD CELL ATEX & IECEx - Ⓢ II 1 D, Ex ia IIIC T125°C Da, IP6X, -20°C < Ta < +60°C (zones 20)			R2
	"GOST-Ex" TEST & MARKING FOR SCAIME LOAD CELLS IN HAZARDOUS AREAS: Consult us			

FS: rated capacity / v min = minimal interval (according to cert. OIML R60) / C.E. = Combined error in % of FS / DC = Code per back



Load cells & Accessories

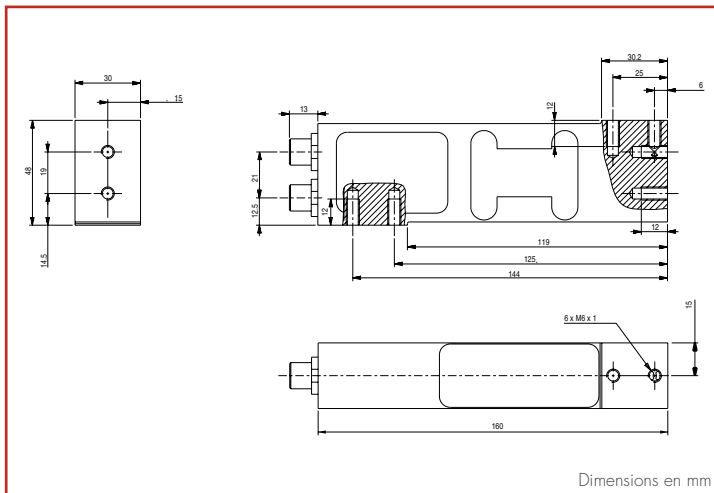
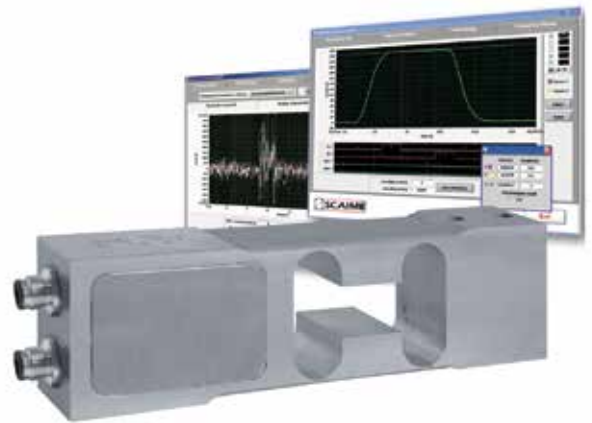
Digital load cells...

AAD-C

5 kg ... 75 kg



- Digital single point load cell
- Aluminum construction, protection class IP65
- Functions: checkweigher, high speed dynamic weighing and grading
- 2 digital inputs and 4 outputs
- 1 RS485 output and 1 CANopen output
- 3 000 d certificate according to OIML R51/R61



see data sheet in our website



Power supply: 10 ... 28 V
 Resolution at FS: 500 000 d
 Combined error: $\pm 0.019\%$ FS
 Conversion: 24 bit, 6-1 600 meas./s.
 Compensated temperature range: -10 ... +40°C
 Output: on 2 x M12 5/8 pin IP67 connectors
 Platform size: 400 x 600 mm
 Warranty: 1 year

P/N	Designation	FS	v _{min.}	DC
	Load cell with board + checkweigher software included			
	M12 Lumberg RSFM connectors			
	CO55 versions: 2 connectors - 5 pins			
403064	LOAD CELL AAD-C 5 CO55 HML	5 kg	0.5 g	R4
403065	LOAD CELL AAD-C 15 CO55 OIML	15 kg	1 g	R4
403066	LOAD CELL AAD-C 30 CO55 OIML	30 kg	2 g	R4
403067	LOAD CELL AAD-C 75 CO55 OIML	75 kg	5 g	R4
	CO88 versions: 2 connectors - 8 pins			
403072	LOAD CELL AAD-C 5 CO88 HML	5 kg	0.5 g	R4
403073	LOAD CELL AAD-C 15 CO88 OIML	15 kg	1 g	R4
403074	LOAD CELL AAD-C 30 CO88 OIML	30 kg	2 g	R4
403075	LOAD CELL AAD-C 75 CO88 OIML	75 kg	5 g	R4
	Accessories:			
640096	RS485/USB CONVERTER			R3
640100	5M CABLE WITH M12 5 PINS CONNECTOR FOR AAD/AXD			R4
640101	5M CABLE WITH M12 8 PINS CONNECTOR FOR AAD/AXD			R4

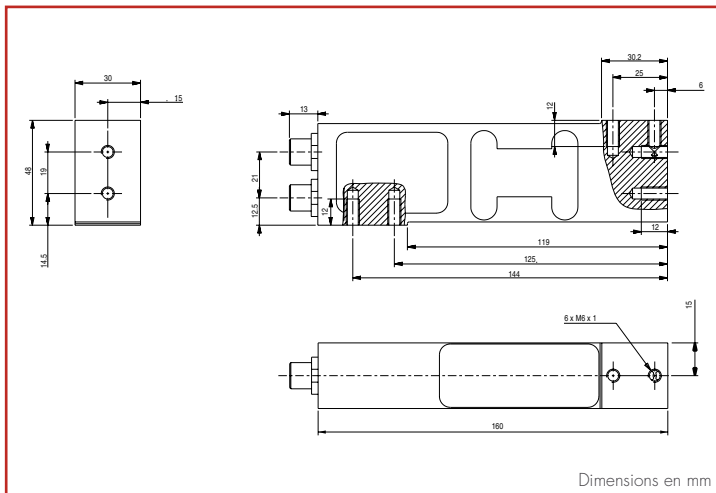
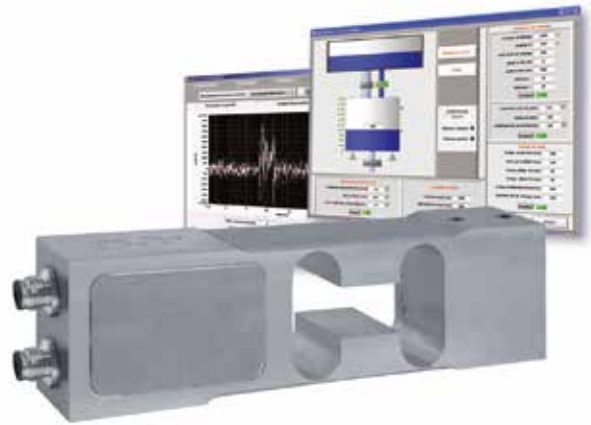
FS: rated capacity / v_{min.} = minimal interval (according to cert. OIML R60) / C.E. = Combined error in % of FS / DC = Code put back

AAD-D

5 kg ... 75 kg



- Digital single point load cell
- Aluminum construction, protection class IP65
- Functions: dosing by filling or by unloading
- 2 digital inputs and 4 outputs
- 1 RS485 output and 1 CANopen output
- 3 000 d certificate according to OIML R51/R61



Dimensions en mm

see data sheet in our website



Power supply: 10 ... 28 V
 Resolution at FS: 500 000 d
 Combined error: $\pm 0.019\%$ FS
 Conversion: 24 bit, 6-1 600 meas./s.
 Compensated temperature range: -10 ... +40°C
 Output: on 2 x M12 5/8 pin IP67 connectors
 Platform size: 400 x 600 mm
 Warranty: 1 year

P/N	Designation	FS	v _{min.}	DC
Load cell with board + dosing software included				
M12 Lumberg RSFM connectors				
CO55 versions: 2 connectors - 5 pins				
403068	LOAD CELL AAD-D 5 CO55 HML	5 kg	0.5 g	R4
403069	LOAD CELL AAD-D 15 CO55 OIML	15 kg	1 g	R4
403070	LOAD CELL AAD-D 30 CO55 OIML	30 kg	2 g	R4
403071	LOAD CELL AAD-D 75 CO55 OIML	75 kg	5 g	R4
CO88 versions: 2 connectors - 8 pins				
403076	LOAD CELL AAD-D 5 CO88 HML	5 kg	0.5 g	R4
403077	LOAD CELL AAD-D 15 CO88 OIML	15 kg	1 g	R4
403078	LOAD CELL AAD-D 30 CO88 OIML	30 kg	2 g	R4
403079	LOAD CELL AAD-D 75 CO88 OIML	75 kg	5 g	R4
Accessories:				
640096	RS485/USB CONVERTER			R3
640100	5M CABLE WITH M12 5 PINS CONNECTOR FOR AAD/AXD			R4
640101	5M CABLE WITH M12 8 PINS CONNECTOR FOR AAD/AXD			R4

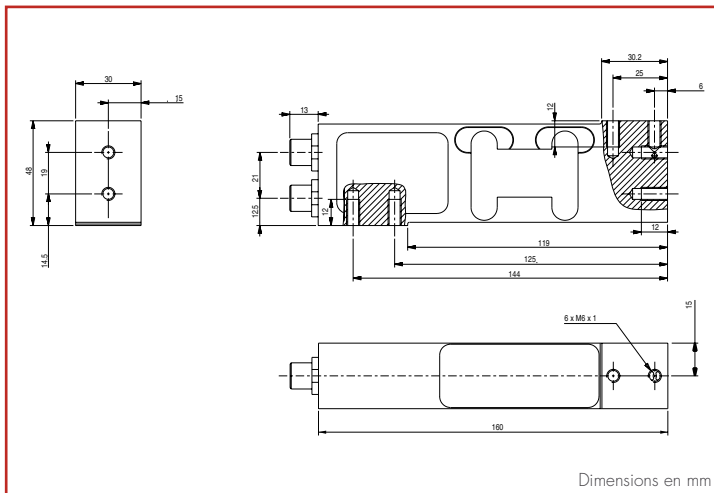
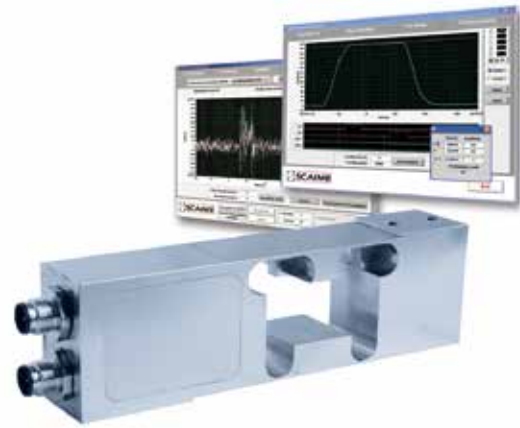
FS: rated capacity / v_{min.} = minimal interval (according to cert. OIML R60) / C.E. = Combined error in % of FS / DC = Code put back

AXD-C

15 kg ... 75 kg



- Digital single point load cell
- Hermetically sealed stainless steel housing IP68, IP69K
- Functions: checkweigher, high speed dynamic weighing
- 2 digital inputs and 4 outputs
- 1 RS485 output and 1 CAN output
- 3 000 d certificate according to OIML R51/R61



see data sheet in our website



Power supply: 10 ... 28 V
 Resolution at FS: 500 000 d
 Combined error: $\pm 0.019\%$ FS
 Conversion: 24 bit, 6-1 600 meas./s.
 Compensated temperature range: -10 ... +40°C
 Output: on 2 x M12 5/8 pin IP68 connectors
 Platform size: 400 x 400 mm
 Warranty: 3 years

P/N	Designation	FS	v _{min.}	DC
	Load cell with board + checkweigher software included			
	M12 Lumberg RSFM connectors			
	CO55 versions: 2 connectors - 5 pins			
403050	LOAD CELL AXD-C 15 CO55 OIML	15 kg	1 g	R4
403051	LOAD CELL AXD-C 30 CO55 OIML	30 kg	2 g	R4
403052	LOAD CELL AXD-C 75 CO55 OIML	75 kg	5 g	R4
	CO88 versions: 2 connectors - 8 pins			
403053	LOAD CELL AXD-C 15 CO88 OIML	15 kg	1 g	R4
403054	LOAD CELL AXD-C 30 CO88 OIML	30 kg	2 g	R4
403055	LOAD CELL AXD-C 75 CO88 OIML	75 kg	5 g	R4
	Accessories:			
640096	RS485/USB CONVERTER			R3
640100	5M CABLE WITH M12 5 PINS CONNECTOR FOR AAD/AXD			R4
640101	5M CABLE WITH M12 8 PINS CONNECTOR FOR AAD/AXD			R4

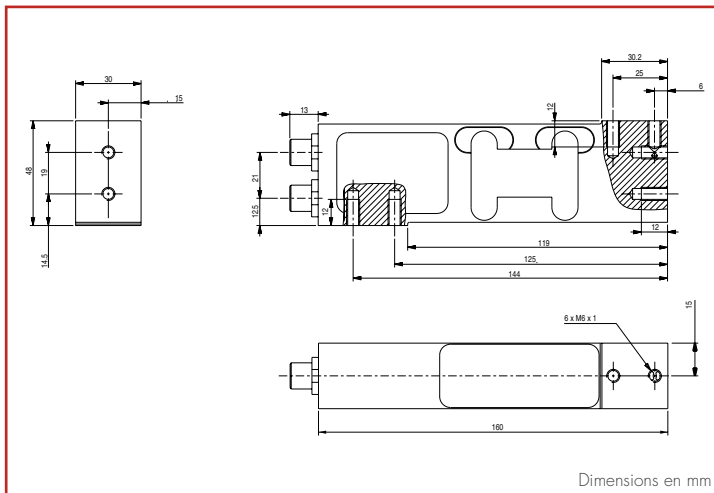
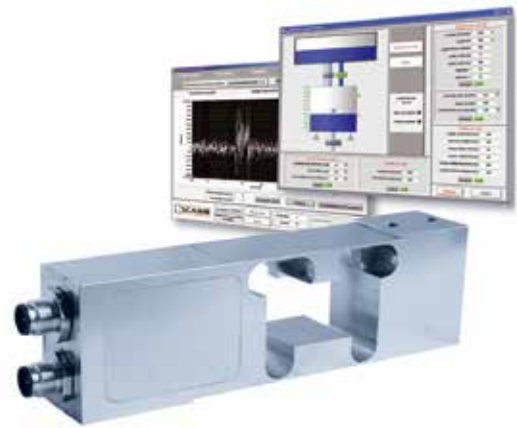
FS: rated capacity / v min = minimal interval (according to cert. OIML R60) / C.E. = Combined error in % of FS / DC = Code put back

AXD-D

15 kg ... 75 kg



- Digital single point load cell
- Hermetically sealed stainless steel housing IP68, IP69K
- Functions: dosing by filling or by unloading
- 2 digital inputs and 4 outputs
- 1 RS485 output and 1 CAN output
- 3 000 d certificate according to OIML R51/R61



see data sheet in our website



Power supply: 10 ... 28 V
 Resolution at FS: 500 000 d
 Combined error: $\pm 0.019\%$ FS
 Conversion: 24 bit, 6-1 600 meas./s.
 Compensated temperature range: -10 ... +40°C
 Output: on 2 x M12 5/8 pin IP68 connectors
 Platform size: 400 x 400 mm
 Warranty: 3 years

P/N	Designation	FS	v _{min.}	DC
	Load cell with board + dosing software included			
	M12 Lumberg RSFM connectors			
	CO55 versions: 2 connectors - 5 pins			
403056	LOAD CELL AXD-D 15 CO55 OIML	15 kg	1 g	R4
403057	LOAD CELL AXD-D 30 CO55 OIML	30 kg	2 g	R4
403058	LOAD CELL AXD-D 75 CO55 OIML	75 kg	5 g	R4
	CO88 versions: 2 connectors - 8 pins			
403059	LOAD CELL AXD-D 15 CO88 OIML	15 kg	1 g	R4
403060	LOAD CELL AXD-D 30 CO88 OIML	30 kg	2 g	R4
403061	LOAD CELL AXD-D 75 CO88 OIML	75 kg	5 g	R4
	Accessories:			
640096	RS485/USB CONVERTER			R3
640100	5M CABLE WITH M12 5 PINS CONNECTOR FOR AAD/AXD			R4
640101	5M CABLE WITH M12 8 PINS CONNECTOR FOR AAD/AXD			R4

FS: rated capacity / v min = minimal interval (according to cert. OIML R60) / C.E. = Combined error in % of FS / DC = Code put back



Load cells & Accessories

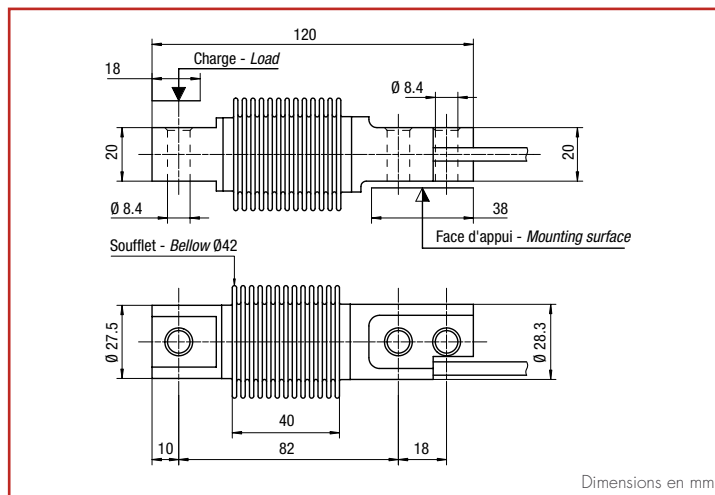
Bending Beam load cells...

F60X C3

5 kg ... 500 kg



- Stainless steel construction hermetically sealed to IP68
- 3 000 d OIML approved
- Ideally suited for any industrial weighing application where a high accuracy is needed
- Optimized alignment as an option
- 6 000 d OIML version: see F60X C6



+ Excit.: Red | + Sign.: Black | - Sign.: Blue | - Excit.: White



Signal at FS: 2 mV/V $\pm 0.1\%$
 Combined error: $\pm 0.017\%$ FS
 Impedance (in/out): $385\ \Omega \pm 20 / 350\ \Omega \pm 5$
 Compensated temperature range: $-10 \dots +40^\circ\text{C}$
 Overload limit: 150 %E_{max} (max.: 200 %)
 Cable/length: 4 shielded wires / 3 m
 Warranty: 3 years

Replaces: HBM Z6, TH 355, RT SHB, SCAIME F30X/F60T, Télémécanique SM3PX, MT MTB, PRECIA FA3000i, Master K FLX, Flintec SB8

P/N	Designation	FS	V _{min.}	DC
402507	LOAD CELL F60X5 C1.5 CH 3e3 TR	5 kg	1.5 g	R1
Approved versions OIML C3, Y = 10 000				
402452	LOAD CELL F60X10 C3 CH 10e TR	10 kg	1 g	R1
402462	LOAD CELL F60X20 C3 CH 10e TR	20 kg	2 g	R1
402472	LOAD CELL F60X50 C3 CH 10e TR	50 kg	5 g	R1
402482	LOAD CELL F60X100 C3 CH 10e TR	100 kg	10 g	R1
402492	LOAD CELL F60X200 C3 CH 10e TR	200 kg	20 g	R1
402514	LOAD CELL F60X300 C3 CH 10e TR	300 kg	30 g	R1
402515	LOAD CELL F60X500 C3 CH 10e TR	500 kg	50 g	R1
Options:				
850320	$\pm 0.05\%$ FS signal alignment for F60X			R1
850272	"SI" TEST FOR LOAD CELLS ATEX & IECEx - Ex II 1 G/D , Ex ia IIC T6 Ga, Ex ia IIC T80°C Da, IP6X, $-20^\circ\text{C} < T_a < +60^\circ\text{C}$ (zone 0/20)			R2
850273	"n" TEST FOR LOAD CELLS ATEX & IECEx - Ex II 3 G , Ex nA IIC T6 Gc, $-20^\circ\text{C} < T_a < +60^\circ\text{C}$ (zone 2)			R2
850274	"DUST" MARKING FOR LOAD CELL ATEX & IECEx - Ex II 1 D , Ex ia IIC T125°C Da, IP6X, $-20^\circ\text{C} < T_a < +60^\circ\text{C}$ (zones 20)			R2
850278	FACTORY MUTUAL MARKING FOR SCAIME LOAD CELLS IN HAZARDOUS AREAS "GOST-Ex" TEST & MARKING FOR SCAIME LOAD CELLS IN HAZARDOUS AREAS: Consult us			R2
Related products:				
	MTPFA			
	LOAD FOOT LFC 500 & LFD 500			
	RUBBERKIT FX			
	STABIFLEX F & FX			

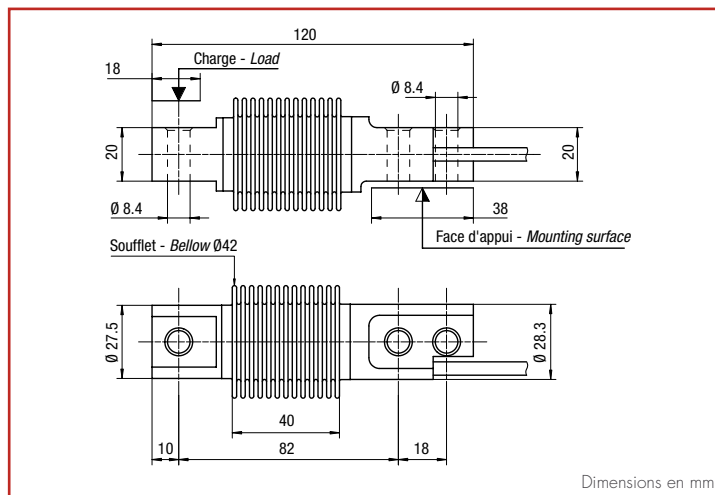
FS: rated capacity / v min = minimal interval (according to cert. OIML R60) / C.E. = Combined error in % of FS / DC = Code put back

F60X C6

10 kg ... 500 kg



- Stainless steel construction hermetically sealed to IP68
- 6 000 d OIML approved
- Ideally suited for any industrial weighing application where a high accuracy is needed
- Optimized alignment as an option



Dimensions en mm

+ Excit.: Red | + Sign.: Black | - Sign.: Blue | - Excit.: White



Signal at FS: 2 mV/V $\pm 0.1\%$
 Combined error: $\pm 0.008\%$ FS
 Impedance (in/out): $385\ \Omega \pm 20 / 350\ \Omega \pm 5$
 Compensated temperature range: $-10 \dots +40^\circ\text{C}$
 Overload limit: 150 %Emax (max.: 200 %)
 Cable/length: 4 shielded wires / 3 m
 Warranty: 3 years

Replaces: HBM Z6, TH 355, RT SHB, SCAIME F30X/F60T, Télémécanique SM3PX, MT MTB, PRECIA FA3000i, Master K FLX, Flintec SB8

P/N	Designation	FS	V _{min.}	DC
Approved versions OIML C6, Y = 10 000				
402450	LOAD CELL F60X10 C6 CH 10e TR	10 kg	1 g	R1
402460	LOAD CELL F60X20 C6 CH 10e TR	20 kg	2 g	R1
402470	LOAD CELL F60X50 C6 CH 10e TR	50 kg	5 g	R1
402480	LOAD CELL F60X100 C6 CH 10e TR	100 kg	10 g	R1
402490	LOAD CELL F60X200 C6 CH 10e TR	200 kg	20 g	R1
402526	LOAD CELL F60X300 C6 CH 10e TR	300 kg	30 g	R1
402527	LOAD CELL F60X500 C6 CH 10e TR	500 kg	50 g	R1
Options:				
850320	$\pm 0.05\%$ FS signal alignment for F60X			R1
850272	"SI" TEST FOR LOAD CELLS ATEX & IECEx - Ⓢ II 1 G/D, Ex ia IIC T6 Ga, Ex ia IIIC T80°C Da, IP6X, $-20^\circ\text{C} < \text{Ta} < +60^\circ\text{C}$ (zone 0/20)			R2
850273	"n" TEST FOR LOAD CELLS ATEX & IECEx - Ⓢ II 3 G, Ex nA IIC T6 Gc, $-20^\circ\text{C} < \text{Ta} < +60^\circ\text{C}$ (zone 2)			R2
850274	"DUST" MARKING FOR LOAD CELL ATEX & IECEx - Ⓢ II 1 D, Ex Ia IIIC T125°C Da, IP6X, $-20^\circ\text{C} < \text{Ta} < +60^\circ\text{C}$ (zones 20)			R2
850278	FACTORY MUTUAL MARKING FOR SCAIME LOAD CELLS IN HAZARDOUS AREAS "GOSTEX" TEST & MARKING FOR SCAIME LOAD CELLS IN HAZARDOUS AREAS: Consult us			R2
Related products:				
	MTPFA			
	LOAD FOOT LFC 500 & LFD 500			
	RUBBERKIT FX			
	STABIFLEX F & FX			

FS: rated capacity / v min = minimal interval (according to cert. OIML R60) / C.E. = Combined error in % of FS / DC = Code put back



Load cells & Accessories

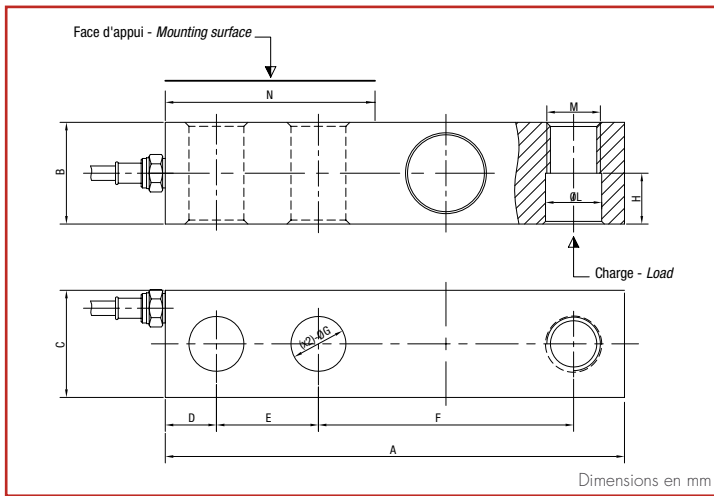
Shear Beam load cells...

S10A

500 kg ... 5 t



- Nickel plated steel construction, IP67 protection
- Accuracy up to $\pm 0.02\%$
- Calibrated signal output, for multi-load cells mounting
- Ideally suited for process control applications



+ Excit.: Red | + Sign.: Green | - Sign.: White | - Excit.: Black

Signal at FS: 2 mV/V
 Combined error: $\pm 0.02\%$ FS
 Impedance (in/out): $385\ \Omega \pm 10$ / $350\ \Omega \pm 5$
 Compensated temperature range: $-10 \dots +40^\circ\text{C}$
 Overload limit: 150 % Emax (max.: 200 %)
 Cable/length: 4 shielded wires / 6 m
 Warranty: 1 year

Replaces: Sensortronics 65023, TH 3410, RT HCB, HBM HLC BLC ELC, Flintec SB14, MT 0745

P/N	Designation	FS	C.E.	DC
799340	LOAD CELL S10A 500	500 kg	$< \pm 0.02\%$	R1
799341	LOAD CELL S10A 1 000	1 000 kg	$< \pm 0.02\%$	R1
799342	LOAD CELL S10A 2 000	2 000 kg	$< \pm 0.02\%$	R1
799343	LOAD CELL S10A 5 000	5 000 kg	$< \pm 0.02\%$	R1
Related products:				
LOAD FOOT LFC 2t & LFC 5t				

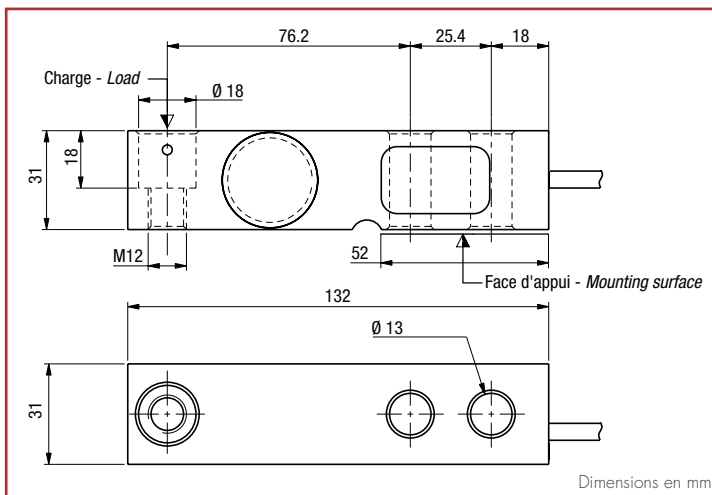
FS: rated capacity / v min = minimal interval (according to cert. OIML R60) / C.E. = Combined error in % of FS / DC = Code per back

SK30A

500 kg ... 2 t



- Nickel plated steel construction, IP67 protection
- 3 000 d OIML R60 approved
- Current calibrated signal output for multi-load cells mounting
- Ideally suited for platform scales



Signal at FS: 2 mV/V
 Combined error: $\pm 0.017\%$ FS
 Impedance (in/out): $385 \Omega \pm 20 / 350 \Omega \pm 5$
 Compensated temperature range: $-10 \dots +40^\circ\text{C}$
 Overload limit: 150 % E_{max} (max.: 200 %)
 Cable/length: 6 shielded wires / 5 m
 Warranty: 1 year

+ Excit.: Brown | + Sign.: Yellow | - Sign.: White | - Excit.: Green | + Sense: Grey | - Sense: Pink

Replaces: Sontronics 65023, TH 3410, RT HCB, HBM HLC BLC ELC, Flintec SB14, MT 0745

P/N	Designation	FS	V _{min.}	DC
Approved versions OIML C3, Y = 10 000				
430544	LOAD CELL SK30A 500 C3 SH 10e TR	500 kg	50 g	R1
430545	LOAD CELL SK30A 1 000 C3 SH 10e TR	1 000 kg	100 g	R1
430546	LOAD CELL SK30A 2 000 C3 SH 10e TR	2 000 kg	200 g	R1
Options:				
850397	OPTIONAL HIGH RESISTANCE PAINTING (GREEN COLOR)			R1
850272	"SI" TEST FOR LOAD CELLS ATEX & IECEx - Ⓢ II 1 G/D, Ex ia IIC T6 Ga, Ex ia IIIC T80°C Da, IP6X, -20°C < Ta < +60°C (zone 0/20)			R2
850273	"n" TEST FOR LOAD CELLS ATEX & IECEx - Ⓢ II 3 G, Ex nA IIC T6 Gc, -20°C < Ta < +60°C (zone 2)			R2
850274	"DUST" MARKING FOR LOAD CELL ATEX & IECEx - Ⓢ II 1 D, Ex ia IIIC T125°C Da, IP6X, -20°C < Ta < +60°C (zones 20)			R2
"GOSTEx" TEST & MARKING FOR SCAIME LOAD CELLS IN HAZARDOUS AREAS: Consult us				
Related products:				
LOAD FOOT LFA & LFC 2t				
ISOFLEX-S 2t				
STABIFLEX-SK 2 t				

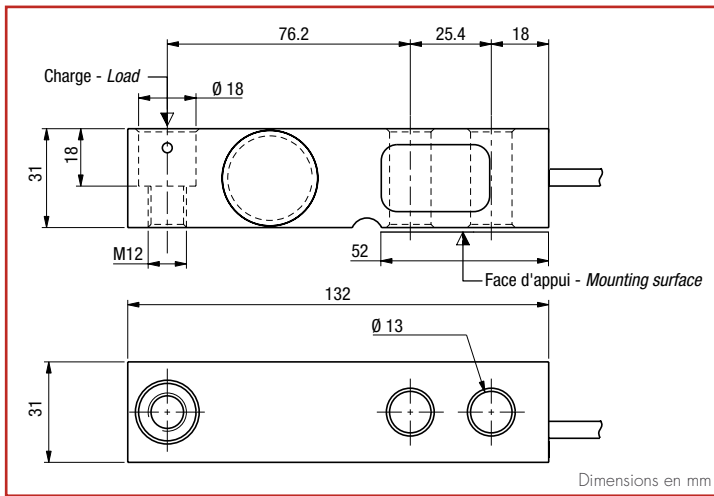
FS: rated capacity / v min = minimal interval (according to cert. OIML R60) / C.E. = Combined error in % of FS / DC = Code per back

SK30X 2T

300 kg ... 2 t



- Stainless steel construction, hermetically welded to IP68
- 6 000 d OIML R60 and 5 000 d NTEP approved
- Current calibrated signal output, for multi-load cells mounting
- Ideally suited for platform scales



Signal at FS: 2 mV/V
 Combined error: $\pm 0.017\%$ FS (C3)
 Impedance (in/out): $385\ \Omega \pm 20 / 350\ \Omega \pm 5$
 Compensated temperature range: $-10 \dots +40^\circ\text{C}$
 Overload limit: 150 %Emax (max.: 200 %)
 Cable/length: 6 shielded wires / 5 m
 Warranty: 3 years

+ Excit.: Brown | + Sign.: Yellow | - Sign.: White | - Excit.: Green | + Sense: Grey | - Sense: Pink

Replaces: TH 3510, Sensortronics 65083, HBM HLC, Flintec SB14, RT HCB, MT 0745

P/N	Designation	FS	V _{min.}	DC
Approved versions OIML C3, Y = 10 000				
430461	LOAD CELL SK30X 300 C3 CH 12e TR	300 kg	25 g	R1
430462	LOAD CELL SK30X 500 C3 CH 10e TR	500 kg	50 g	R1
430463	LOAD CELL SK30X 1 000 C3 CH 10e TR	1 000 kg	100 g	R1
430464	LOAD CELL SK30X 2 000 C3 CH 10e TR	2 000 kg	200 g	R1
Approved versions OIML C6, Y = 15 000				
430472	LOAD CELL SK30X 500 C6 CH 15e TR	500 kg	33.3 g	R1
430473	LOAD CELL SK30X 1 000 C6 CH 15e TR	1 000 kg	66.6 g	R1
430474	LOAD CELL SK30X 2 000 C6 CH 15e TR	2 000 kg	133.3 g	R1
Options:				
850397	OPTIONAL HIGH RESISTANCE PAINTING (GREEN COLOR)			R1
850272	"SI" TEST FOR LOAD CELLS ATEX & IECEx - Ⓢ II 1 G/D, Ex ia IIC T6 Ga, Ex ia IIIC T80°C Da, IP6X, -20°C < Ta < +60°C (zone 0/20)			R2
850273	"n" TEST FOR LOAD CELLS ATEX & IECEx - Ⓢ II 3 G, Ex nA IIC T6 Gc, -20°C < Ta < +60°C (zone 2)			R2
850274	"DUST" MARKING FOR LOAD CELL ATEX & IECEx - Ⓢ II 1 D, Ex ia IIIC T125°C Da, IP6X, -20°C < Ta < +60°C (zones 20)			R2
850278	FACTORY MUTUAL MARKING FOR SCAIME LOAD CELLS IN HAZARDOUS AREAS "GOSTEx" TEST & MARKING FOR SCAIME LOAD CELLS IN HAZARDOUS AREAS: Consult us			R2
Related products:				
LOAD FOOT LFA 2t, ISOFLEX-S 2t, STABIFLEX-SK & SKX 2 t				

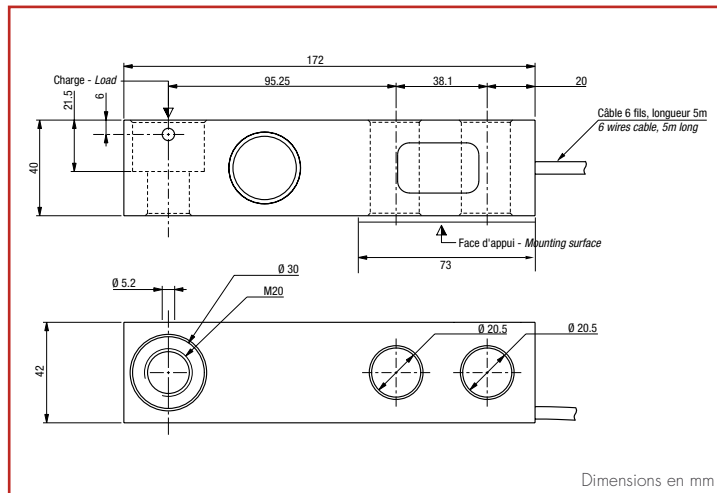
FS: rated capacity / v min = minimal interval (according to cert. OIML R60) / C.E. = Combined error in % of FS / DC = Code put back

SK30X 5T

3 t ... 5 t



- Stainless steel construction, hermetically welded to IP68
- 4 000 d OIML R60 and 5 000 d NTEP approved
- Current calibrated signal output, for multi-load cells mounting
- Ideally suited for platform scales



Signal at FS: 2 mV/V
 Combined error: $\pm 0.017\%$ FS (C3)
 Impedance (in/out): $385\ \Omega \pm 20 / 350\ \Omega \pm 5$
 Compensated temperature range: $-10 \dots +40^\circ\text{C}$
 Overload limit: 150 %E_{max} (max.: 200 %)
 Cable/length: 6 shielded wires / 5 m
 Warranty: 3 years

Replaces: TH 3510, Sensortronics 65083, HBM HLC, Flintec SB14, RT HCB, MT 0745

P/N	Designation	FS	v _{min.}	DC
Approved versions OIML C3, Y = 10 000				
430534	LOAD CELL SK30X 3 000 C3 CH 10e TR	3 000 kg	300 g	R1
430535	LOAD CELL SK30X 5 000 C3 CH 10e TR	5 000 kg	500 g	R1
Options:				
850397	OPTIONAL HIGH RESISTANCE PAINTING (GREEN COLOR)			R1
850272	"SI" TEST FOR LOAD CELLS ATEX & IECEx - Ⓢ II 1 G/D, Ex ia IIC T6 Ga, Ex ia IIIC T80°C Da, IP6X, -20°C < Ta < +60°C [zone 0/20]			R2
850273	"n" TEST FOR LOAD CELLS ATEX & IECEx - Ⓢ II 3 G, Ex nA IIC T6 Gc, -20°C < Ta < +60°C [zone 2]			R2
850274	"DUST" MARKING FOR LOAD CELL ATEX & IECEx - Ⓢ II 1 D, Ex ia IIIC T125°C Da, IP6X, -20°C < Ta < +60°C [zones 20]			R2
850278	FACTORY MUTUAL MARKING FOR SCAIME LOAD CELLS IN HAZARDOUS AREAS "GOSTEx" TEST & MARKING FOR SCAIME LOAD CELLS IN HAZARDOUS AREAS: Consult us			R2
Related products:				
	LOAD FOOT LFC & LFD 5t			
	ISOFLEX-S 5t			
	STABIFLEX-SK & SKX 5 t			

FS: rated capacity / v min = minimal interval (according to cert. OIML R60) / C.E. = Combined error in % of FS / DC = Code per back

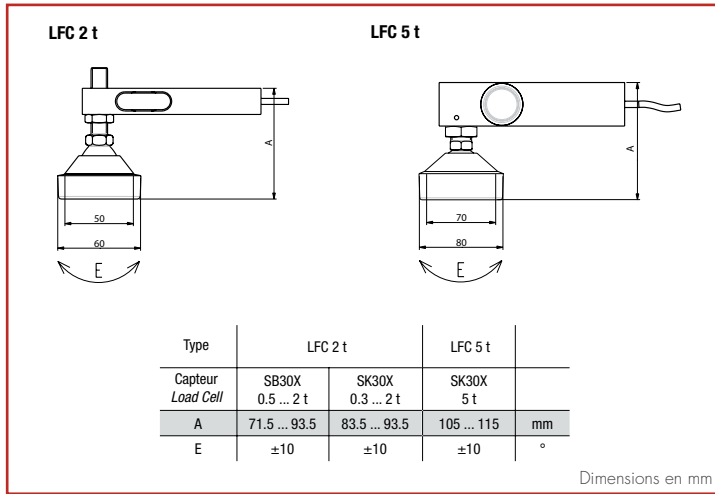
LFC SB/SK

500 kg ... 5 t

- Made of nickel plated steel with elastomer pad
- Adjustable height
- Integrated articulation ($\pm 10^\circ$)
- For process control applications (1 000 d max.)



Load cell sold separately



Nut tightening torque:
 10 Nm (LFC 500)
 40 Nm (LFC 2 t)
 100 Nm (LFC 5 t)

Rubber hardness: 75 ± 5 Shore A

Warranty: 1 year

For load cell: SK30X, S10A, SK30A and SB30X

P/N	Designation	FS	v _{min.}	DC
803437	LOAD FOOT LFC 2t (for 0.5 t ... 2 t - takes place of LF 2 t)			R2
803438	LOAD FOOT LFC 5t (for 3-5 t - takes place of LF 5 t)			R2

FS: rated capacity / v min = minimal interval (according to cert. OIML R60) / C.E. = Combined error in % of FS / DC = Code per back

LFD 5T

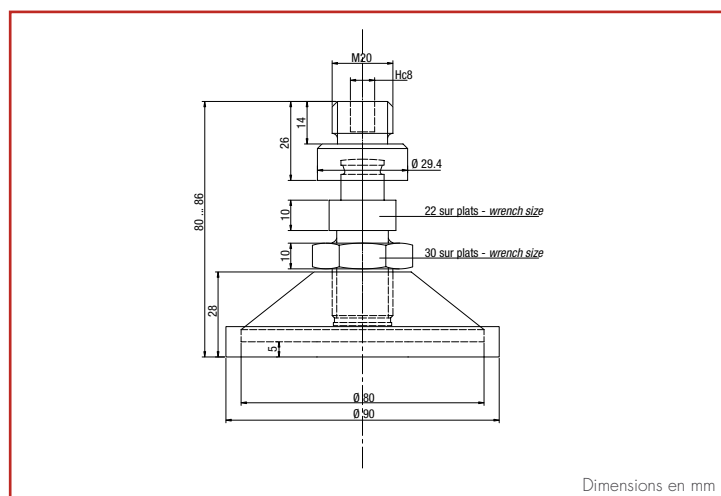
3 t ... 5 t



- Made of stainless steel with elastomer pad
- Adjustable height
- Integrated articulation ($\pm 10^\circ$)
- For high accuracy scales (4 000 d)



Load cell sold separately



Nut tightening torque: 100 Nm
 Rubber hardness: 75 \pm 5 Shore A
 Warranty: 1 year

For load cell: SK30X 3 t ... 5 t

P/N	Designation	FS	v _{min.}	DC
632305	LOAD FOOT LFD 5t (for 3-5 t - for 3 000d scales)			R2

FS: rated capacity / v min = minimal interval (according to cert. OIML R60) / C.E. = Combined error in % of FS / DC = Code put back



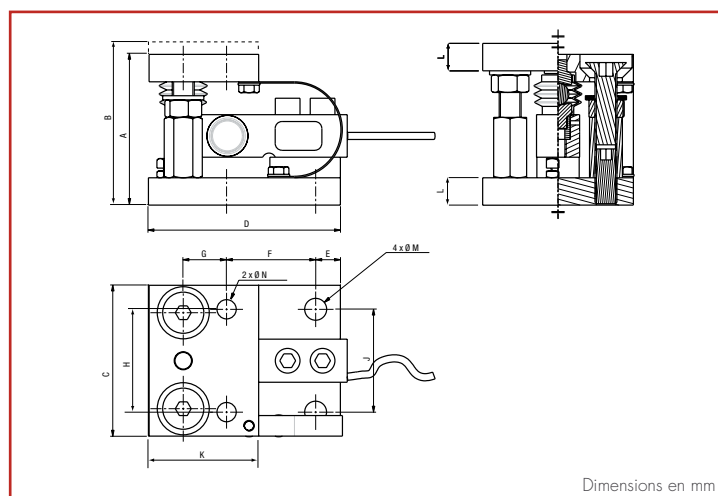
STABIFLEX-SK

300 kg ... 5 t

- Designed for tank or hopper weighing
- Zinc plated or stainless steel construction
- Cross stoppers and lift off prevention included
- Can be used as a dummy cell by tightening bolts up
- Ball-and-cup design for accurate weighing



Load cell sold separately



For load cell: SK30X and SK30A

Replace: SCAIME STABIFLEXF (for load cells F60X 0.5 t ... 5 t)

P/N	Designation	FS	v _{min.}	DC
803788	STABIFLEX-SK 2t (compression kit with ball/cups for SK30A/X 300 ... 2 000 kg, nickel plated)			R2
803789	STABIFLEX-SK 2t X (compression kit with ball/cups for SK30A/X 300 ... 2 000 kg, stainless steel)			R2
803791	STABIFLEX-SK 5t (compression kit with ball/cups for SK30X 3-5 t, nickel plated)			R2
803792	STABIFLEX-SK 5t X (compression kit with ball/cups for SK30X 3-5 t, stainless steel)			R2
Option:				
803750	LOAD CELL MOUNTING AND MECHANICAL STOP SETTING FOR STABIFLEX			R2

FS: rated capacity / v min = minimal interval (according to cert. OIML R60) / C.E. = Combined error in % of FS / DC = Code put back

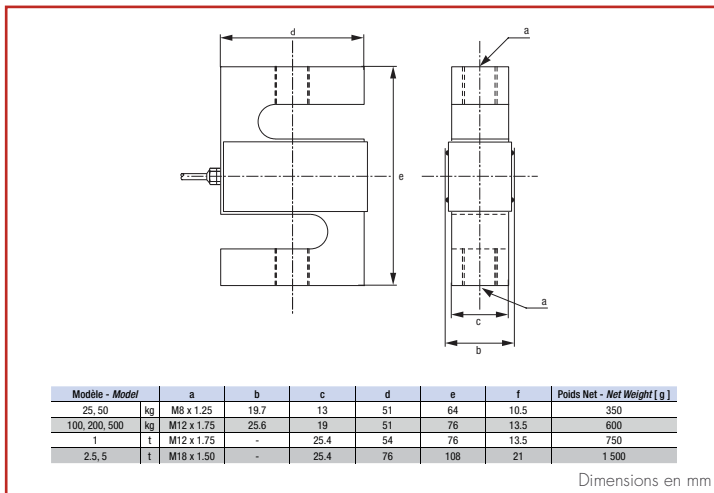


Load cells & Accessories

Tension load cells...



- Nickel plated steel construction
- Dedicated to tension, compression or tension/compression weighing or force applications
- Protection level IP65



Signal at FS: 3 mV/V $\pm 0.5\%$
 Combined error: $\pm 0.03\%$ FS
 Impedance (in/out): $385\ \Omega \pm 10 / 350\ \Omega \pm 5$
 Compensated temperature range: $-10 \dots +50^\circ\text{C}$
 Overload limit: 120 % Emax (max.: 150 %)
 Cable/length: 4 shielded wires / 5 m
 Warranty: 1 year

S-Type: + Excit.: Red | + Sign.: Green | - Sign.: White | - Excit.: Black

Compression: + Excit.: Red | + Sign.: White | - Sign.: Green | - Excit.: Black

P/N	Designation	FS	C.E.	DC
799300	LOAD CELL ZFA 25 kg	25 kg	< $\pm 0.03\%$	R1
799301	LOAD CELL ZFA 50 kg	50 kg	< $\pm 0.03\%$	R1
799302	LOAD CELL ZFA 100 kg	100 kg	< $\pm 0.03\%$	R1
799303	LOAD CELL ZFA 200 kg	200 kg	< $\pm 0.03\%$	R1
799304	LOAD CELL ZFA 500 kg	500 kg	< $\pm 0.03\%$	R1
799305	LOAD CELL ZFA 1 t	1 000 kg	< $\pm 0.03\%$	R1
799306	LOAD CELL ZFA 2.5 t	2 500 kg	< $\pm 0.03\%$	R1
799307	LOAD CELL ZFA 5 t	5 000 kg	< $\pm 0.03\%$	R1
Related product:				
ZFA ROD END				

FS: rated capacity / v min = minimal interval (according to cert. OIML R60) / C.E. = Combined error in % of FS / DC = Code put back

ZFA ROD ENDS

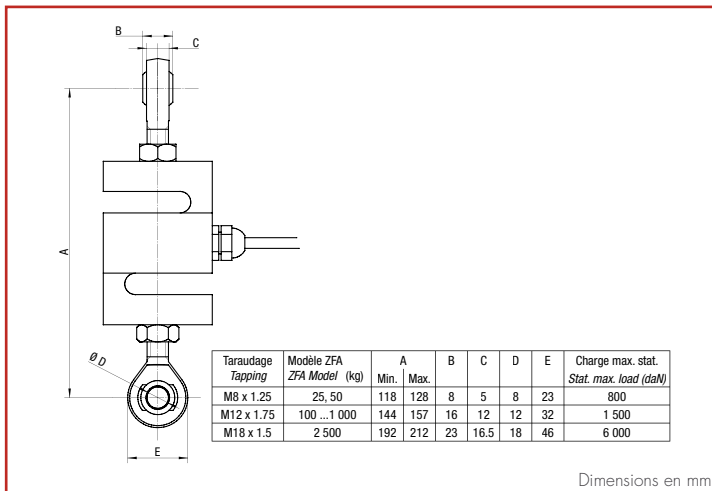
25 kg ... 2.5 t



- Tension mounting kit
- Made of zinc plated steel
- Prevention of unwanted forces
- Adjustable height



Load cell sold separately



Dimensions en mm

This kit includes one rod-end ball joint and one lock nut.
(on picture: ZFA load cell + 2 rod-end ball kits)

For load cell: ZFA

P/N	Designation	FS	v _{min.}	DC
803002	1 EACH ROD END BALL JOINT M8 x 1.25 (25 ... 50 kg)			R2
803005	1 EACH ROD END BALL JOINT M12 x 1.75 (100 ... 1 000 kg)			R2
803010	1 EACH ROD END BALL JOINT M18 x 1.50 (2 500 kg max)			R2

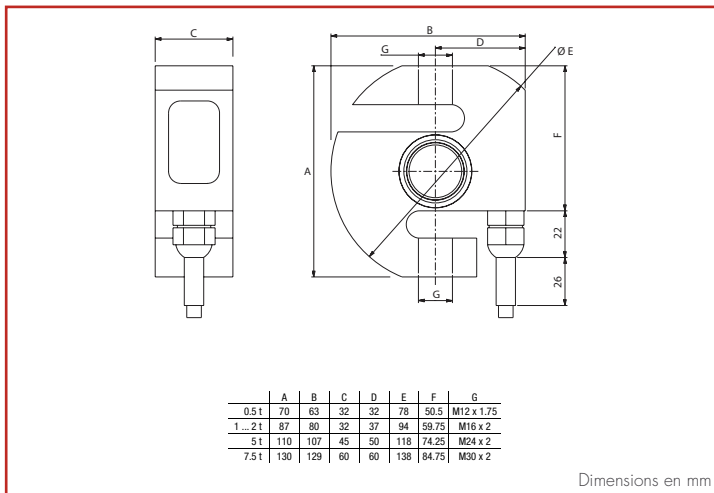
FS: rated capacity / v min = minimal interval (according to cert. OIML R60) / C.E. = Combined error in % of FS / DC = Code part back

ZA30X

500 kg ... 7.5 t



- Stainless steel construction, hermetically welded to IP68
- 3 000 d OIML approved
- Dedicated to tension or compression weighing and force applications
- Current calibrated signal output, for multi-load cells mounting
- Ideally suited for hanging hopper weighing



Signal at FS: 2 mV/V $\pm 0.1\%$
 Combined error: $\pm 0.017\%$ FS
 Impedance (in/out): $385 \Omega \pm 10 / 350 \Omega \pm 5$
 Compensated temperature range: $-10 \dots +40^\circ\text{C}$
 Overload limit: 150 % Emax (max.: 200 %)
 Cable/length: 6 shielded wires / 10 m
 Warranty: 3 years

S-Type: + Excit.: Red | + Sign.: Green | - Sign.: White | - Excit.: Black

Compression: + Excit.: Red | + Sign.: White | - Sign.: Green | - Excit.: Black

P/N	Designation	FS	v _{min.}	DC
430612	LOAD CELL ZA30X 0.5t C3 CH 10e	500 kg	50 g	R1
430613	LOAD CELL ZA30X 1t C3 CH 10e	1 t	100 g	R1
430614	LOAD CELL ZA30X 2t C3 CH 10e	2 t	200 g	R1
430617	LOAD CELL ZA30X 5t C3 CH 10e	5 t	500 g	R1
430616	LOAD CELL ZA30X 7.5t C3 CH 10e	7.5 t	750 g	R1
Options:				
850397	OPTIONAL HIGH RESISTANCE PAINTING (GREEN COLOR)			R1
850272	"SI" TEST FOR LOAD CELLS ATEX & IECEx - Ⓢ II 1 G/D, Ex ia IIC T6 Ga, Ex ia IIIC T80°C Da, IP6X, -20°C < Ta < +60°C [zone 0/20]			R2
850273	"n" TEST FOR LOAD CELLS ATEX & IECEx - Ⓢ II 3 G, Ex nA IIC T6 Gc, -20°C < Ta < +60°C [zone 2]			R2
850274	"DUST" MARKING FOR LOAD CELL ATEX & IECEx - Ⓢ II 1 D, Ex ia IIIC T125°C Da, IP6X, -20°C < Ta < +60°C [zones 20]			R2
	"GOSTEx" TEST & MARKING FOR SCAIME LOAD CELLS IN HAZARDOUS AREAS: Consult us			
Related product:				
	ZA30X ROD END			

FS: rated capacity / v min = minimal interval (according to cert. OIML R60) / C.E. = Combined error in % of FS / DC = Code per back

MTRD

5 t ... 50 t



- Suitable for tension measurement of very heavy loads (with clevis pins)
- High safety coefficient
- Stainless steel, IP65



Nota : Le diamètre des axes doit être 1 mm inférieur à celui des trous du capteur dans lequel ils sont montés afin d'assurer un bon fonctionnement.
The diameter of the shafts mounted through the sensors holes, must be 1 mm smaller than the diameter of the hole itself, in order to ensure a correct functioning.

Charge Nominale (C.N.) Nominal Load [t/kN]	ØA	B	ØC	H	I	L	Poids Weight [kg]
5 / 50	52	38	34	150	96	27	2
10 / 100	52	38	34	150	96	27	2
20 / 200	76	54	43	200	120	40	4.5
30 / 300	76	54	43	200	120	40	4.5
50 / 500	100	75	59	260	160	50	10

Dimensions en mm

Signal at FS: 2 mV/V ±2 %
 Combined error: < ±0.15 %FS
 Impedance (in/out): 350 Ω
 Compensated temperature range: -10 ... +50°C
 Overload limit: 130 %Emax (max. 300 %)
 Cable/length: 6 shielded wires / 5 m
 Warranty: 1 year

+ Excit.: Red | + Sign.: Green | - Sign.: White | - Excit.: Black | + Sense: Blue | - Sense: Brown

P/N	Designation	FS	C.E.	DC
720542	LOAD CELL MTRD-50 kN	5 t	< ± 0.15 %	R3
720575	LOAD CELL MTRD-100 kN	10 t	< ± 0.15 %	R3
720601	LOAD CELL MTRD-200 kN	20 t	< ± 0.15 %	R3
720602	LOAD CELL MTRD-300 kN	30 t	< ± 0.15 %	R3
720539	LOAD CELL MTRD-500 kN	50 t	< ± 0.15 %	R3
Option:				
Special capacities or dimensions: Contact us				

FS: rated capacity / v min = minimal interval (according to cert. OIML R60) / C.E. = Combined error in % of FS / DC = Code per back



Load cells & Accessories

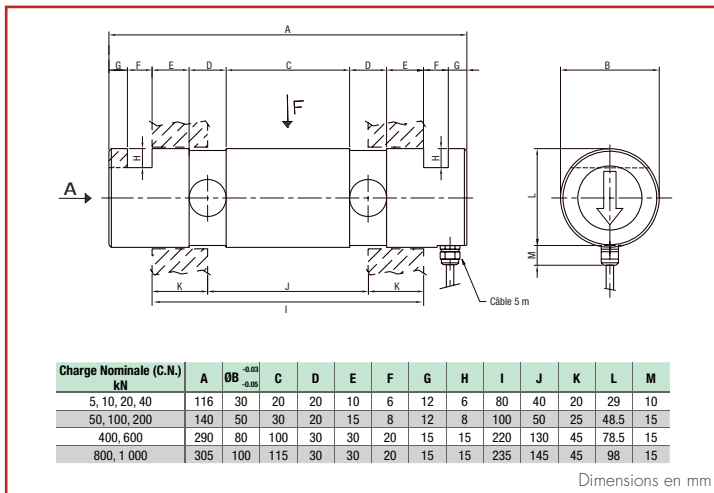
Load pins...

M16

500 kg ... 100 t



- Load pin for applications such as weighing or overload control on lifting or handling devices
- High safety coefficient: > 500 %
- Stainless steel, IP65



Signal at FS: 1 mV/V ±2 %
 Combined error: ±0.5 %FS (0.5 % in option)
 Impedance (in/out): 350 Ω ±20 / 350 Ω ±5
 Compensated temperature range: -10 ... +40°C
 Overload limit: 150 %FS
 Ultimate overload: 500 %FS
 Cable/length: 6 shielded wires / 5 m
 Warranty: 1 year

+ Excit.: Red | + Sign.: Green | - Sign.: White | - Excit.: Black | + Sense: Blue | - Sense: Brown

P/N	Designation	FS	C.E.	DC
720582	LOAD CELL M16-5 kN	0.5 t	< ± 0.5 %	R3
720562	LOAD CELL M16-10 kN	1 t	< ± 0.5 %	R3
720568	LOAD CELL M16-20 kN	2 t	< ± 0.5 %	R3
720563	LOAD CELL M16-40 kN	4 t	< ± 0.5 %	R3
720537	LOAD CELL M16-50 kN	5 t	< ± 0.5 %	R3
720561	LOAD CELL M16-100 kN	10 t	< ± 0.5 %	R3
720536	LOAD CELL M16-200 kN	20 t	< ± 0.5 %	R3
720645	LOAD CELL M16-400 kN	40 t	< ± 0.5 %	R3
720669	LOAD CELL M16-600 kN	60 t	< ± 0.5 %	R3
720599	LOAD CELL M16-800 kN	80 t	< ± 0.5 %	R3
720600	LOAD CELL M16-1000 kN	100 t	< ± 0.5 %	R3
Options:				
Special capacities or dimensions: Contact us				
Combined error < 0.1 %: Contact us				

FS: rated capacity / v min = minimal interval (according to cert. OIML R60) / C.E. = Combined error in % of FS / DC = Code pin back



Load cells & Accessories

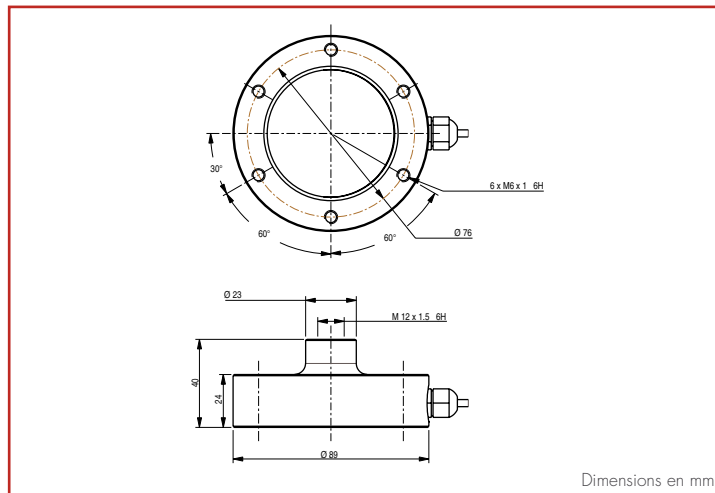
Compression load cells...

RF10X

5 t ... 10 t



- Made of stainless steel hermetically welded IP68
- Fixing by threaded holes
- Ideally suited for any industrial weighing and level control application



Signal at FS: 2 mV/V ± 0.5 %s
 Combined error: ± 0.2 %FS
 Impedance (in/out): 765 Ω ± 20 / 700 Ω ± 5
 Nominal temperature range: -10 ... +40°C
 Overload limit: 150 %E_{max} (max.: 200 %)
 Cable/length: 4 shielded wires / 2 m
 Warranty: 3 years

+ Excit.: Red | + Sign.: Green | - Sign.: White | - Excit.: Black

P/N	Designation	FS	C.E.	DC
430513	LOAD CELL RF10X 5t	5 t	< ± 0.2 %	R2
430514	LOAD CELL RF10X 7.5t	7.5 t	< ± 0.2 %	R2
430515	LOAD CELL RF10X 10t	10 t	< ± 0.2 %	R2
Options:				
850272	"SI" TEST FOR LOAD CELLS ATEX & IECEx - $\text{Ex II 1 G/D, Ex ia IIC T6 Ga, Ex ia IIIC T80°C Da, IP6X, -20°C < Ta < +60°C (zone 0/20)}$			R2
850273	"n" TEST FOR LOAD CELLS ATEX & IECEx - $\text{Ex II 3 G, Ex nA IIC T6 Gc, -20°C < Ta < +60°C (zone 2)}$			R2
850274	"DUST" MARKING FOR LOAD CELL ATEX & IECEx - $\text{Ex II 1 D, Ex ia IIIC T125°C Da, IP6X, -20°C < Ta < +60°C (zones 20)}$			R2
	"GOST-Ex" TEST & MARKING FOR SCAIME LOAD CELLS IN HAZARDOUS AREAS: Consult us			

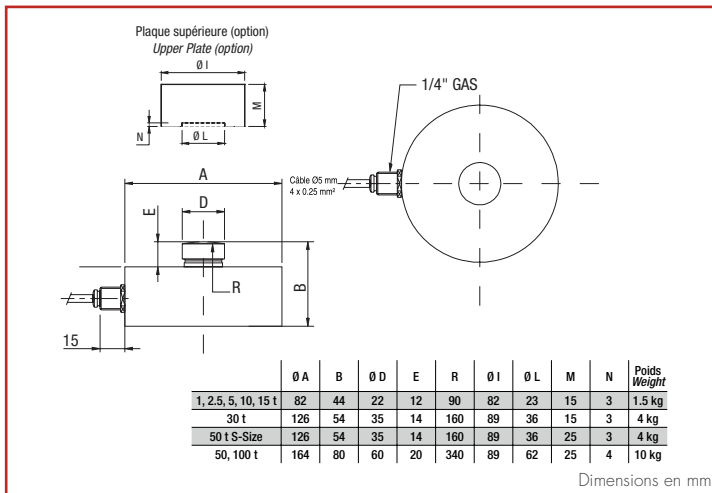
FS: rated capacity / v min = minimal interval (according to cert. OIML R60) / C.E. = Combined error in % of FS / DC = Code per back

R10X

1 t ... 100 t



- Made of stainless steel hermetically welded IP68
- Spherical load button
- Ideally suited for any industrial weighing application
- High temperature version (+130°C)(HT) on request



Signal at FS: 2 mV/V ±0.2%
 Combined error: ±0.05 %FS (1 000 d)
 Impedance (in/out): 700 Ω ±20 / 700 Ω ±5
 Compensated temperature range: -10 ... +50°C
 Overload limit: 150 %Emax (max.: 300 %)
 Cable/length: 4 shielded wires / 10 m
 Warranty: 3 years

+ Excit.: Red | + Sign.: Green | - Sign.: White | - Excit.: Black

P/N	Designation	FS	C.E.	DC
430595	LOAD CELL R10X 1t	1 t	< ± 0.1 %	R2
430596	LOAD CELL R10X 2.5t	2.5 t	< ± 0.1 %	R2
430597	LOAD CELL R10X 5t	5 t	< ± 0.1 %	R2
430598	LOAD CELL R10X 10t	10 t	< ± 0.1 %	R2
430584	LOAD CELL R10X 15t	15 t	< ± 0.1 %	R2
430585	LOAD CELL R10X 30t	30 t	< ± 0.1 %	R2
430594	LOAD CELL R10X 50t S-SIZE	50 t	< ± 0.1 %	R2
632228	LOAD CELL R10X 50t	50 t	< ± 0.1 %	R2
632229	LOAD CELL R10X 100t	100 t	< ± 0.1 %	R2
Options:				
850203	OPTIONAL PROTECTIVE COATING			R1
SP/OL	OPTIONAL HIGH TEMPERATURE FOR R10X - Service temperature range -20 ... +125°C			R2
850272	"SI" TEST FOR LOAD CELLS ATEX & IECEx - Ⓢ II 1 G/D, Ex ia IIC T6 Ga, Ex ia IIIC T80°C Da, IP6X, -20°C < Ta < +60°C (zone 0/20)			R2
850273	"n" TEST FOR LOAD CELLS ATEX & IECEx - Ⓢ II 3 G, Ex nA IIC T6 Gc, -20°C < Ta < +60°C (zone 2)			R2
850274	"DUST" MARKING FOR LOAD CELL ATEX & IECEx - Ⓢ II 1 D, Ex ia IIIC T125°C Da, IP6X, -20°C < Ta < +60°C (zones 20)			R2
850278	FACTORY MUTUAL MARKING FOR SCAIME LOAD CELLS IN HAZARDOUS AREAS			R2
	"GOSTEx" TEST & MARKING FOR SCAIME LOAD CELLS IN HAZARDOUS AREAS: Consult us			
Related products:				
	SILOKITR, SILOSAFER & RX, PLATES KIT			

FS: rated capacity / v min = minimal interval (according to cert. OIML R60) / C.E. = Combined error in % of FS / DC = Code put back

R10X PLATES KIT

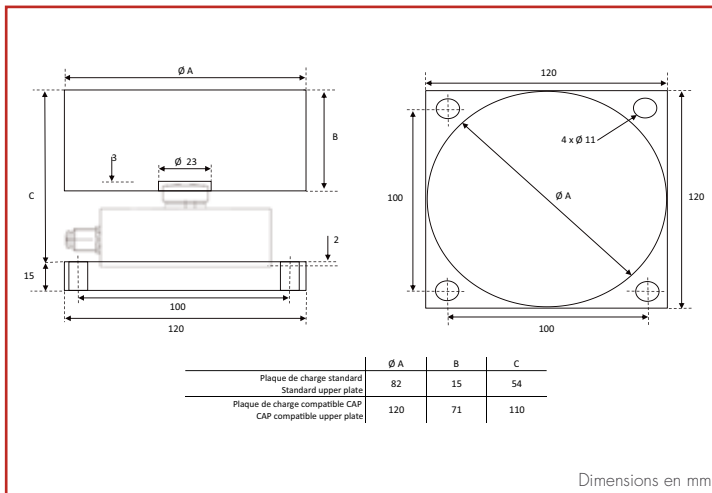
1 t ... 15 t



- Made of zinc plated steel
- Designed for tank weighing
- Same fastening than CAP plates
- Plate and baseplate sold separately
- See R10X for standard R10X plates



Load cell sold separately



For load cell: R10X 1 t ... 15 t

Replace: MasterK CAP

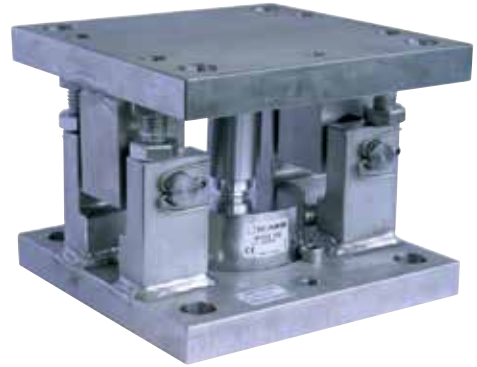
P/N	Designation	FS	v _{min.}	DC
632263	UPPER PLATE R10X 1-15t			R2
632264	UPPER PLATE R10X 30t			R2
720679	UPPER PLATE R10X 50t S-size			R2
632265	UPPER PLATE R10X 50-100t			R2
Compatible CAP 1-15 t Pesage Promotion				
632271	UPPER PLATE R10X 1-15t TYPE CAP			R2
Accessory:				
632272	BASE PLATE FOR R10X 1-15t - Compatible with CAP 1-15 t Pesage Promotion			R2

FS: rated capacity / v min = minimal interval (according to cert. OIML R60) / C.E. = Combined error in % of FS / DC = Code put back

SILOSAFE-R /-RX

15 t, 50 t, 100 t

- Designed to weigh tanks and silos in safe conditions
- Zinc plated or stainless steel construction
- High capacity lift-off prevention device and cross stoppers
- Pendulum bearings allowing vessel expansion with preserved accuracy
- Integrated jacking bolts
- "TÜV" certification according to EN1993



Load cell sold separately

Modèle Model	A	B	C operation/Installation	D	ØE	F	G	Poids Weight
15 t	180	180	135/140	20	18	140	140	14 kg
50 t S-Size	260	220	155/160	20	22	175	175	29 kg
100 t	370	300	240/250	30	26	220	220	90 kg

Dimensions en mm

For load cell: R10X 1 ... 100 t

P/N	Designation	FS	v _{min.}	DC
Zinc plated steel versions				
803826	SILOSAFE-R 15t			R2
803827	SILOSAFE-R 50t S-SIZE			R2
803828	SILOSAFE-R 100t			R2
Stainless steel versions				
803829	SILOSAFE-RX 15t			R2
803830	SILOSAFE-RX 50t S-SIZE			R2

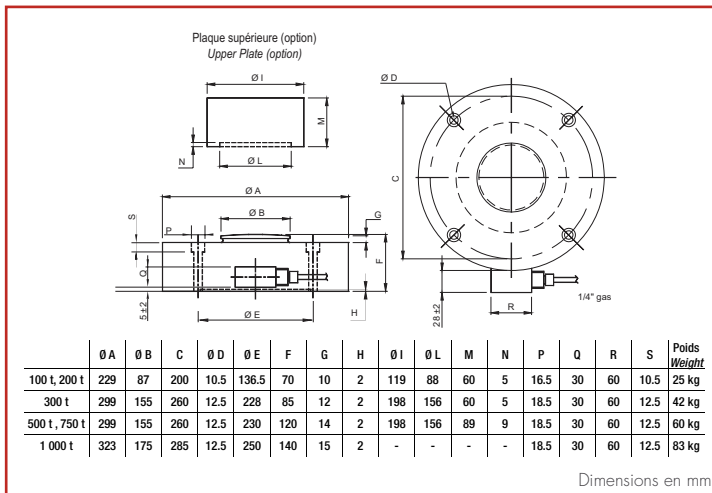
FS: rated capacity / v min = minimal interval (according to cert. OIML R60) / C.E. = Combined error in % of FS / DC = Code put back

RH10X

100 t ... 1 000 t



- Made of stainless steel hermetically welded IP68
- Low profile design
- Spherical load button for perfect alignment of the load
- Ideally suited for any industrial weighing and level control application



Signal at FS: 2 mV/V ±0.1 %
 Combined error: ±0.2 %FS
 Impedance (in/out): 700 Ω ±20 / 700 Ω ±5
 Compensated temperature range: -10 ... +50°C
 Overload limit: 150 %E_{max} (max.: 300 %)
 Cable/length: 6 shielded wires / 10 m
 Warranty: 3 years

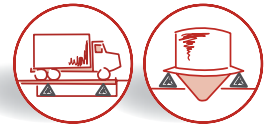
+ Excit.: Red | + Sign.: Green | - Sign.: White | - Excit.: Black | + Sense: Blue | - Sense: Brown

P/N	Designation	FS	C.E.	DC
632250	LOAD CELL RH10X 100t	100 t	< ± 0.2 %	R2
632251	LOAD CELL RH10X 200t	200 t	< ± 0.2 %	R2
632252	LOAD CELL RH10X 300t	300 t	< ± 0.2 %	R2
632253	LOAD CELL RH10X 500t	500 t	< ± 0.2 %	R2
632524	LOAD CELL RH10X 750t	750 t	< ± 0.2 %	R2
632266	LOAD CELL RH10X 1 000t	1 000 t	< ± 0.2 %	R2
Accessories:				
632260	UPPER PLATE RH10X 100-200t			R2
632261	UPPER PLATE RH10X 300 t			R2
632262	UPPER PLATE RH10X 500-750t			R2
Options:				
850272	"SI" TEST FOR LOAD CELLS ATEX & IECEx - Ⓢ II 1 G/D, Ex ia IIC T6 Ga, Ex ia IIIC T80°C Da, IP6X, -20°C < Ta < +60°C [zone 0/20]			R2
850273	"n" TEST FOR LOAD CELLS ATEX & IECEx - Ⓢ II 3 G, Ex nA IIC T6 Gc, -20°C < Ta < +60°C [zone 2]			R2
850274	"DUST" MARKING FOR LOAD CELL ATEX & IECEx - Ⓢ II 1 D, Ex ia IIIC T125°C Da, IP6X, -20°C < Ta < +60°C [zones 20]			R2
	"GOSTEx" TEST & MARKING FOR SCAIME LOAD CELLS IN HAZARDOUS AREAS: Consult us			

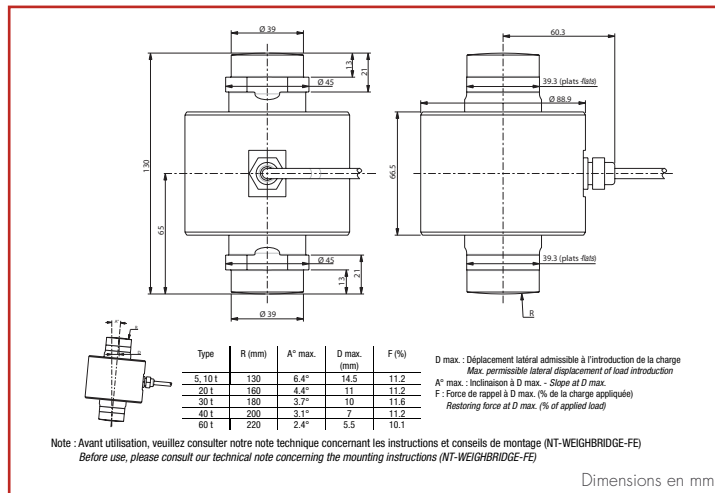
FS: rated capacity / v min = minimal interval (according to cert. OIML R60) / C.E. = Combined error in % of FS / DC = Code per back

CB50X

5 t ... 60 t



- Made of stainless steel hermetically welded IP68
- 4 000 d OIML R60 approved
- Spherical and self centering base
- Anti rotation system included
- Ideally suited for weighbridge use
- Suited as well for silo weighing (with stabican kit)



Plates kit sold separately

Signal at FS: 2 mV/V
 Combined error: ± 0.013 %FS
 Impedance (in/out): $815 \Omega \pm 20$ / $700 \Omega \pm 0.35$
 Compensated temperature range: -10 ... +40°C
 Overload limit: 150 %Emax (max.: 200 %)
 Cable/length: 4 shielded wires / 15 m - Steel armored
 Warranty: 3 years
 See next page for optional lightning protection and rodent-protected cables

+ Excit.: Red | + Sign.: White | - Sign.: Yellow | - Excit.: Blue

Replaces: HBM C16, Flintec RC3, GWT PR6201/6221 (lower profile: 170 mm), SCAIME CA40X

P/N	Designation	FS	v _{min.}	DC
Standard versions, certified OIML C4, Y = 10 000				
421523	LOAD CELL CB50X5t C4 CH 10e	5 t	500 g	R1
421527	LOAD CELL CB50X10t C4 CH 10e	10 t	1 kg	R1
421531	LOAD CELL CB50X20t C4 CH 10e	20 t	2 kg	R1
421535	LOAD CELL CB50X30t C4 CH 10e	30 t	3 kg	R1
421539	LOAD CELL CB50X40t C4 CH 10e	40 t	4 kg	R1
421543	LOAD CELL CB50X60t C4 CH 10e	60 t	6 kg	R1
Options:				
JUNCTION CABLE 20 M: Consult us				
850272	"SI" TEST FOR LOAD CELLS ATEX & IECEx - Ⓔ II 1 G/D, Ex ia IIC T6 Ga, Ex ia IIIC T80°C Da, IP6X, -20°C < Ta < +60°C (zone 0/20)			R2
850273	"n" TEST FOR LOAD CELLS ATEX & IECEx - Ⓔ II 3 G, Ex nA IIC T6 Gc, -20°C < Ta < +60°C (zone 2)			R2
850274	"DUST" MARKING FOR LOAD CELL ATEX & IECEx - Ⓔ II 1 D, Ex Ia IIIC T125°C Da, IP6X, -20°C < Ta < +60°C (zones 20)			R2
850278	FACTORY MUTUAL MARKING FOR SCAIME LOAD CELLS IN HAZARDOUS AREAS			R2
	"GOSTEx" TEST & MARKING FOR SCAIME LOAD CELLS IN HAZARDOUS AREAS: Consult us			
Accessories:				
803799	DUMMY LOAD CELL CB50X 5 ... 60t (requires cups or plates of CB50X)			R2
803810	SPIRIT LEVEL FOR CB50X BEST VERTICAL ALIGNEMENT			R2
Related products:				
	IPC, LPS & LPSH, LPM & LPMX			
	STABICAN			

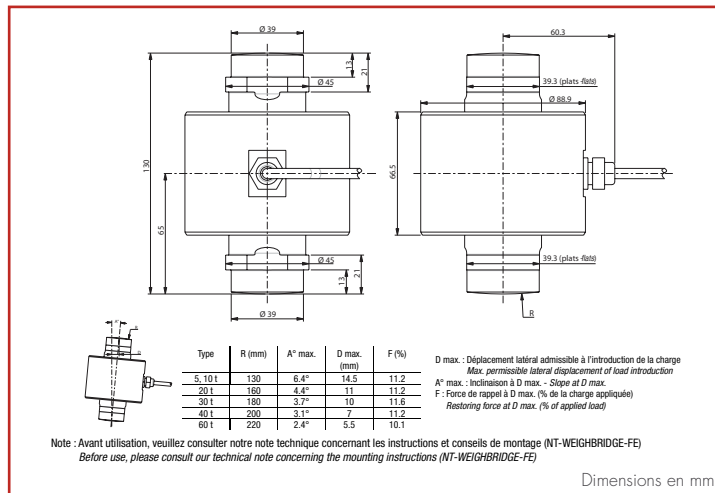
FS: rated capacity / v_{min.} = minimal interval (according to cert. OIML R60) / C.E. = Combined error in % of FS / DC = Code put back

CB50X GDT

5 t ... 60 t



- General specifications identical to previous page
- Optional overvoltage protection (GDT)
- Optional shielded cable against rodent (AR)
- Ideally suited for weighbridge use



Plates kit sold separately

Signal at FS: 2 mV/V
 Combined error: $\pm 0.013\%$ FS
 Impedance (in/out): $815 \Omega \pm 20 / 700 \Omega \pm 0.35$
 Compensated temperature range: $-10 \dots +40^\circ\text{C}$
 Overload limit: 150 %Emax (max.: 200 %)
 Cable/length: 4 shielded wires / 15 m - Steel armored
 Warranty: 3 years

+ Excit.: Red | + Sign.: White | - Sign.: Yellow | - Excit.: Blue

Replaces: HBM C16, Flintec RC3, GWT PR6201/6221 (lower profile: 170 mm), SCAIME CA40X

P/N	Designation	FS	v _{min.}	DC
Versions with protection against rodents and lightning, certified OIML C4, Y = 10 000				
421570	LOAD CELL CB50X5t C4 CH 10e GDT AR	5 t	500 g	R1
421572	LOAD CELL CB50X10t C4 CH 10e GDT AR	10 t	1 kg	R1
421574	LOAD CELL CB50X20t C4 CH 10e GDT AR	20 t	2 kg	R1
421576	LOAD CELL CB50X30t C4 CH 10e GDT AR	30 t	3 kg	R1
421578	LOAD CELL CB50X40t C4 CH 10e GDT AR	40 t	4 kg	R1
421580	LOAD CELL CB50X60t C4 CH 10e GDT AR	60 t	6 kg	R1
Options:				
JUNCTION CABLE 20 M: Consult us				
850272	"SI" TEST FOR LOAD CELLS ATEX & IECEx - Ⓔ II 1 G/D, Ex ia IIC T6 Ga, Ex ia IIIC T80°C Da, IP6X, -20°C < Ta < +60°C (zone 0/20)			R2
850273	"n" TEST FOR LOAD CELLS ATEX & IECEx - Ⓔ II 3 G, Ex nA IIC T6 Gc, -20°C < Ta < +60°C (zone 2)			R2
850274	"DUST" MARKING FOR LOAD CELL ATEX & IECEx - Ⓔ II 1 D, Ex Ia IIIC T125°C Da, IP6X, -20°C < Ta < +60°C (zones 20)			R2
850278	FACTORY MUTUAL MARKING FOR SCAIME LOAD CELLS IN HAZARDOUS AREAS			R2
	"GOSTEx" TEST & MARKING FOR SCAIME LOAD CELLS IN HAZARDOUS AREAS: Consult us			
Accessories:				
803799	DUMMY LOAD CELL CB50X 5 ... 60t (requires cups or plates of CB50X)			R2
803810	SPIRIT LEVEL FOR CB50X OPTIMAL VERTICAL ALIGNMENT			R2
Related products:				
	IPC, LPS & LPSH, LPM & LPMX			
	STABICAN			

FS: rated capacity / v min = minimal interval (according to cert. OIML R60) / C.E. = Combined error in % of FS / DC = Code put back

CB50X-DL

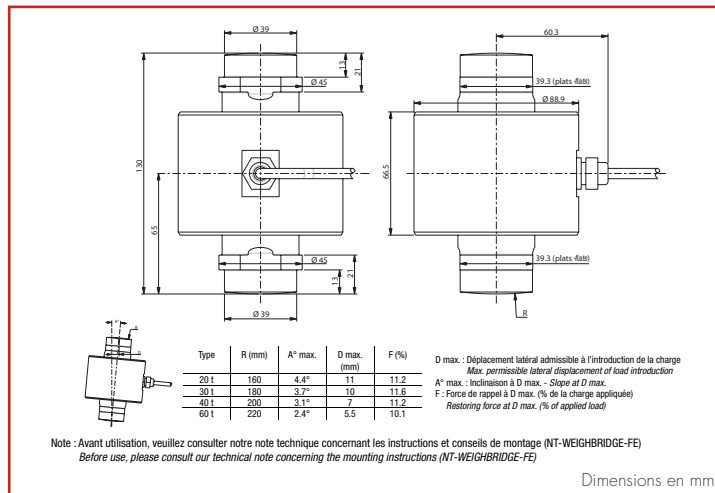
20 t ... 60 t



- Made of stainless steel hermetically welded IP68
- 5 000 d OIML R60 approved
- RS485 digital output signal
- Integrated ESD protection
- Spherical and self-centering base
- Ideally suited for weighbridge use
- Must be used with DLCJB digital function box



Plates kit sold separately



Power supply: 7.5 ... 16 V
 FS resolution: 200 000 d
 Combined error: ±0.017 %FS
 Conversion: 24 bit, 100 meas./s.
 Compensated temperature range: -10 ... +40°C
 Overload limit: 150 %Emax (max.: 200 %)
 Cable/length: 6 shielded wires / 15 m
 Warranty: 3 years

+ Excit.: blanc | - Excit.: Brown

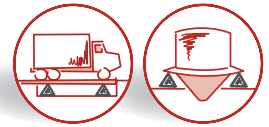
RS485 Out: A+ = Green | B- = Yellow

RS485 In: A+ = Grey | B- = Pink

Replaces: HBM C16, Flintec RC3, GWT PR6201/6221 (lower profile: 170 mm)

P/N	Designation	FS	v _{min.}	DC
Versions with protection against rodents, certified OIML C4, Y = 10 000				
421557	LOAD CELL CB50X-DL 20t C4 CH 10e AR	20 t	2 kg	R1
421559	LOAD CELL CB50X-DL 30t C4 CH 10e AR	30 t	3 kg	R1
421561	LOAD CELL CB50X-DL 40t C4 CH 10e AR	40 t	4 kg	R1
421563	LOAD CELL CB50X-DL 60t C4 CH 10e AR	60 t	6 kg	R1
Options:				
JUNCTION CABLE 20 M: Consult us				
Accessories:				
803799	DUMMY LOAD CELL CB50X 5 ... 60t (requires cups or plates of CB50X)			R2
803810	SPIRIT LEVEL FOR CB50X OPTIMAL VERTICAL ALIGNMENT			R2
Related products:				
LPC, LPS & LPSH, LPM & LPMX				

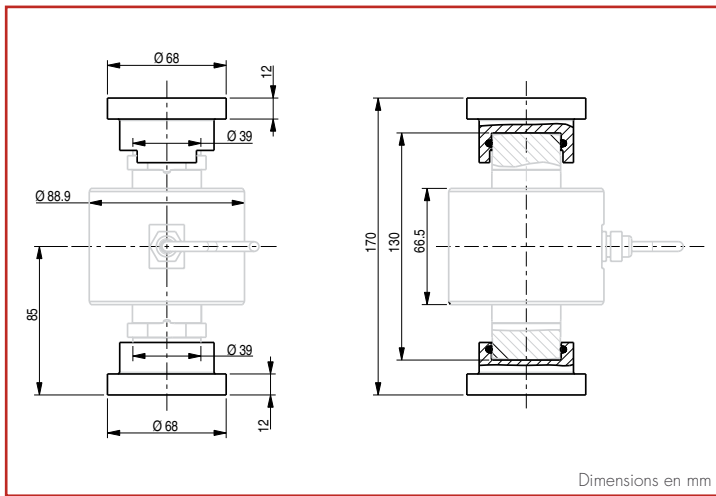
FS: rated capacity / v min = minimal interval (according to cert. OIML R60) / C.E. = Combined error in % of FS / DC = Code per back



- Made of zinc plated steel
- Integrated anti-spinning system
- Hermetic O-ring on each plate



Load cell sold separately



For load cell: CB50X and CB50X-DL

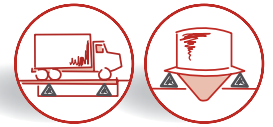
P/N	Designation	FS	v _{min.}	DC
803811	KIT LPC FOR CB50X (2 cups only, zinc plated)			R2
Accessories:				
825806	EARTHING BRAID LG150 10 MM2			R2
825805	EARTHING BRAID LG300 25 MM2			R2
825802	EARTHING BRAID LG440 35 MM2			R2

FS: rated capacity / v min = minimal interval (according to cert. OIML R60) / C.E. = Combined error in % of FS / DC = Code put back

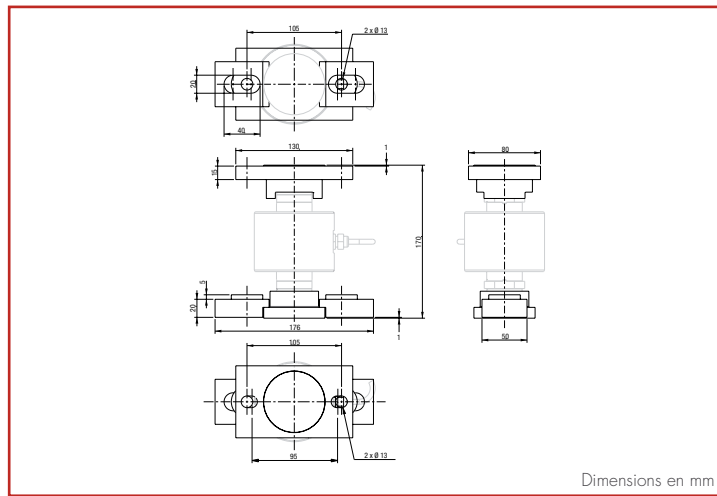
LPM / LPM-X

5 t ... 60 t

- LPM: made of zinc plated steel
- LPM-X: made of stainless steel
- Integrated anti-rotating system
- To be used with STABICAN kit
- Compatible with CA40X, C15A or C30A base and upper plates



Load cell sold separately



For load cell: CB50X and CB50X-DL

P/N	Designation	FS	v _{min.}	DC
803816	KIT LPM FOR CB50X (2 cups + top plate and fixing clamps, plated steel)			R2
803817	KIT LPM-X FOR CB50X (2 cups + top plate and fixing clamps, stainless steel)			R2
	Accessories:			
825806	EARTHING BRAID LG150 10 MM2			R2
825805	EARTHING BRAID LG300 25 MM2			R2
825802	EARTHING BRAID LG440 35 MM2			R2

FS: rated capacity / v min = minimal interval (according to cert. OIML R60) / C.E. = Combined error in % of FS / DC = Code put back

LPS-LPSH

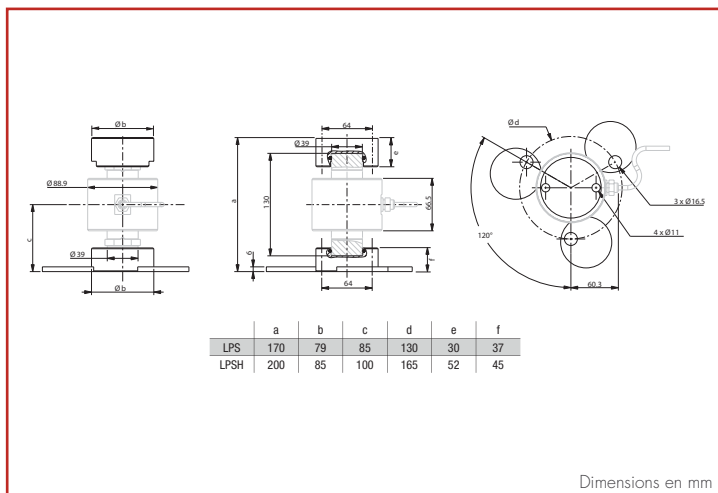
5 t ... 60 t



- Made of zinc plated steel
- Designed for weighbridge applications
- Integrated anti-spinning system
- Hermetic O-ring on each plate



Load cell sold separately



For load cell: CB50X and CB50X-DL

Replaces: Compatible holes as per CA40X steel plates kit, HBM C16, FLINTEC RC3

P/N	Designation	FS	v _{min}	DC
803813	KIT LPS FOR CB50X (2 plates + 3 excentric clamps, zinc plated)			R2
803819	KIT LPSH FOR CB50X (2 plates + 3 excentric clamps, zinc plated) - For C16, RC3 replacement			R2
	Accessories:			
825806	EARTHING BRAID LG150 10 MM2			R2
825805	EARTHING BRAID LG300 25 MM2			R2
825802	EARTHING BRAID LG440 35 MM2			R2

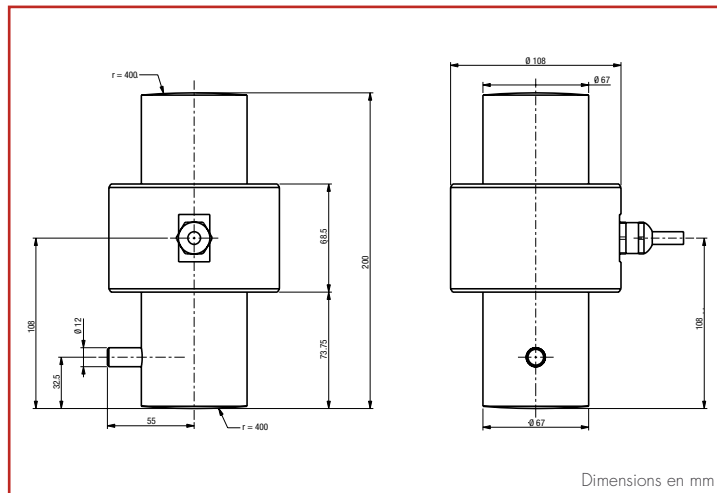
FS: rated capacity / v min = minimal interval (according to cert. OIML R60) / C.E. = Combined error in % of FS / DC = Code per back

CA40X 200T

100 t ... 200 t



- Made of stainless steel hermetically welded IP68
- Spherical and self centering base
- Anti-rotating system included
- Ideally suited for high capacity silo weighing



Signal at FS: 2 mV/V
 Combined error: $\pm 0.024\%$ FS
 Impedance (in/out): $815\ \Omega \pm 20 / 700\ \Omega \pm 5$
 Compensated temperature range: $-10 \dots +40^\circ\text{C}$
 Overload limit: 150 % Emax (max.: 200 %)
 Cable/length: 4 shielded wires / 15 m
 Warranty: 3 years

+ Excit.: Red | + Sign.: White | - Sign.: Yellow | - Excit.: Blue

Replaces: HBM C16, GWT PR6201 (lower profile: 300 mm)

P/N	Designation	FS	V _{min.}	DC
421487	LOAD CELL CA40X100t P3 CH 5e V2	100 t	20 kg	R1
421488	LOAD CELL CA40X200t P3 CH 5e V2	200 t	40 kg	R1
Options:				
850272	"SI" TEST FOR LOAD CELLS ATEX & IECEx - Ⓔ II 1 G/D, Ex ia IIC T6 Ga, Ex ia IIIC T80°C Da, IP6X, $-20^\circ\text{C} < T_a < +60^\circ\text{C}$ (zone 0/20)			R2
850273	"n" TEST FOR LOAD CELLS ATEX & IECEx - Ⓔ II 3 G, Ex nA IIC T6 Gc, $-20^\circ\text{C} < T_a < +60^\circ\text{C}$ (zone 2)			R2
850274	"DUST" MARKING FOR LOAD CELL ATEX & IECEx - Ⓔ II 1 D, Ex ia IIIC T125°C Da, IP6X, $-20^\circ\text{C} < T_a < +60^\circ\text{C}$ (zones 20)			R2
850278	FACTORY MUTUAL MARKING FOR SCAIME LOAD CELLS IN HAZARDOUS AREAS			R2
Accessory:				
803796	DUMMY LOAD CELL CA40X 100 ... 200t (to be used with the 2 plates of CA40X)			R2
Related products:				
	ZINC STEEL PLATES, STABICAN 200t			

FS: rated capacity / v min = minimal interval (according to cert. OIML R60) / C.E. = Combined error in % of FS / DC = Code per back

Mounting kit for CA40X

CA40X PLATES KIT

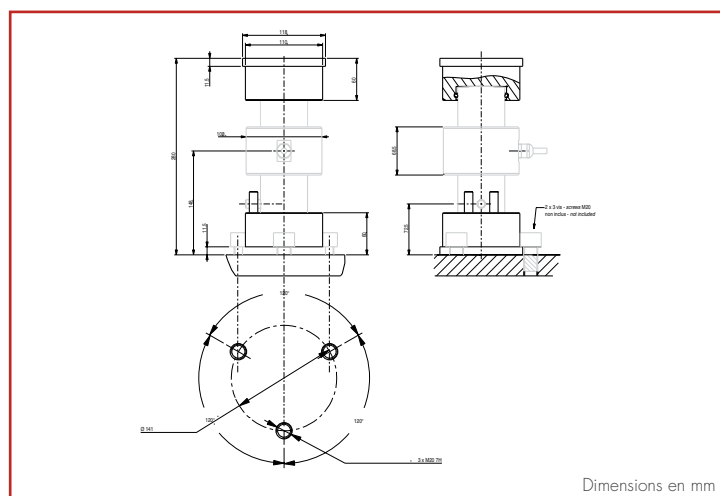
100 t ... 200 t



- Made of zinc plated steel
- Integrated anti-rotating device
- Hermetic O-ring on each plate
- To be used with STABICAN kit 200 t



Load cell sold separately



For load cell: CA40X 100 t ... 200 t

P/N	Designation	FS	v _{min.}	DC
803831	ZINC STEEL PLATES KIT FOR CA40X 100/200T			R2
	Accessories:			
825802	EARTHING BRAID IG440 35 MM2			R2

FS: rated capacity / v min = minimal interval (according to cert. OIML R60) / C.E. = Combined error in % of FS / DC = Code put back



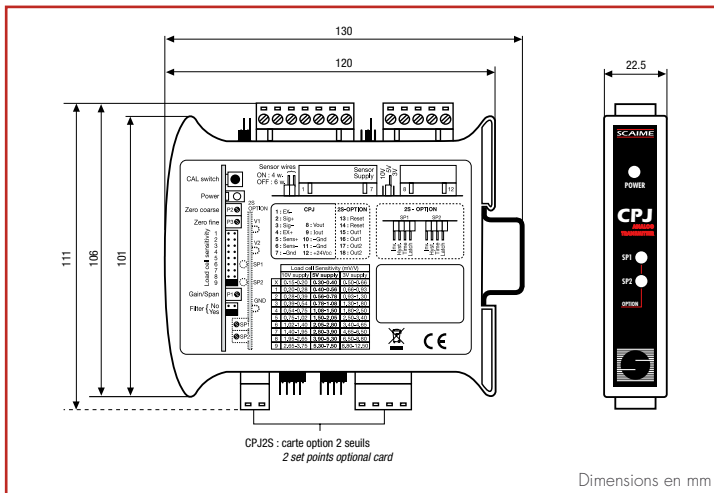
Associated Electronics

Conditioners...

CPJ / CPJ-2S

±10 V/0-10 V / 4-20 mA

- The CPJ is able to run up to 4 strain gauge load cells (350 Ω)
- 4 or 6 wire load cells
- Voltage output (±10 VDC or 0-10 VDC) and current output (4-20 mA)
- Shunt calibration signal
- 2 set points on relays optional (version CPJ 2S)



Power supply: 24 VDC ±4 V
 Accuracy class: 0.05 %
 Span adjustment: 0.15 ... 12 mV/V
 Bandwidth: up to 20 KHz
 Filtering: 10 Hz modifiable in option
 Presentation: board, Rail Din support, IP65 box
 Warranty: 1 year

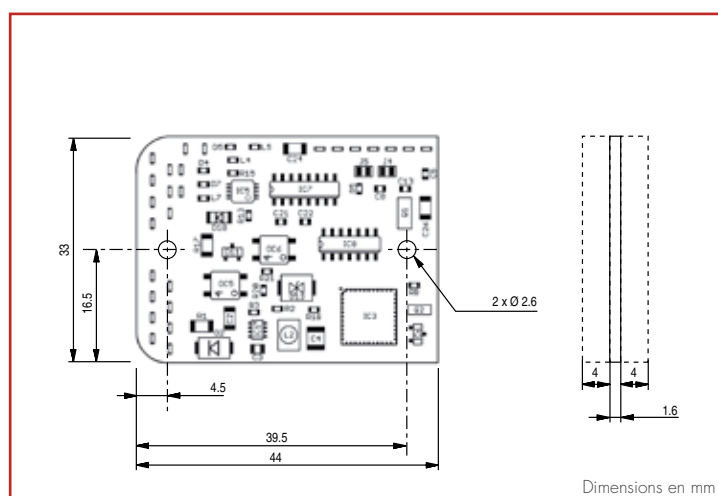
P/N	Designation	FS	v _{min.}	DC
530111	CPJ BOARD			R4
530112	CPJ RAIL DIN			R4
530113	CPJ BOX			R4
530115	CPJ-2S RAIL DIN (with 2 sets points)			R4
Options:				
850310	OPT. POTENTIOMETRIC INPUT FOR CPJ			R4
850311	OPT. SPECIFIC ANALOG FILTER FOR CPJ			R4
850312	OPT. 12VDC POWER SUPPLY FOR CPJ			R4
530114	OPT. 2 SET POINTS FOR CPJ BOARD/RAIL DIN			R4
Accessories:				
640151	DSP10-24 RAIL DIN POWER SUPPLY (110/220 VAC, 24 VCC, 10 W)			R4

FS: rated capacity / v min = minimal interval (according to cert. OIML R60) / C.E. = Combined error in % of FS / DC = Code put back

ENOD1-T

1 600 meas./s. , ±500 000 pts

- Digital measurement transmitter board
- Up to 4 strain gauged load cells (4/6 wires)
- 24 bits A/C converter
- Programmable digital filters
- 2 digital inputs and 4 outputs
- Communication in RS485, CAN and RS232



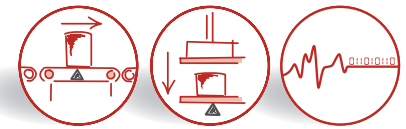
Power supply: 10 ... 28 VDC
 Admissible input signal: 0 ... 7.8 mV/V
 Accuracy class: 0.005 %
 Max. resolution: ±500 000 pts
 Internal resolution: 24 bits
 Conversion rate: 6.25 ... 1 600 meas./s.
 Transmission rate: up to 1 000 meas./s.
 Exclusively sold in batches of 20 pcs min.

P/N	Designation	FS	v _{min.}	DC
205310	DIGITAL TRANSMITTER ENOD1-T BOARD (minimum order quantity to be shipped in 1 batch: 20 pcs)			R4
530141	EVALUATION KIT ENOD1-T (includes: 1 x ENOD1-T, 1 x USB/RS232 converter, 1 x CD-Rom eNodView)			R4

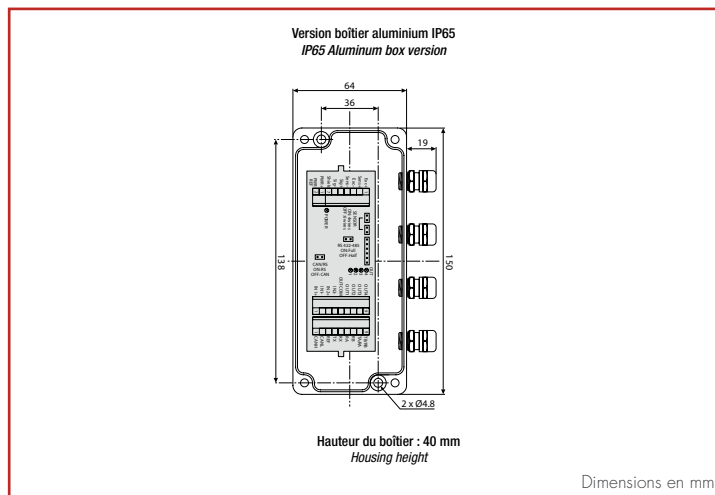
FS: rated capacity / v min = minimal interval (according to cert. OIML R60) / C.E. = Combined error in % of FS / DC = Code put back

ENOD3 ALUBOX

1 600 meas./s. , ±500 000 pts



- Digital measurement conditioner
- Aluminum painted box, IP65 protection
- Up to 4 strain gauged load cells (4/6 wires), 24 bits A/D converter
- Programmable digital filters
- 2 digital inputs and 2 outputs
- Communication in RS485, CAN and RS232
- Approved 6 000 d OIML R76, R51, R61



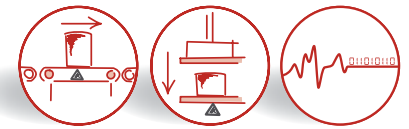
Power supply: 10 ... 28 VDC
 Admissible input signal: 0 ... 7.8 mV/V
 Accuracy class: 0.005 %
 Max. resolution: ±500 000 pts
 Internal resolution: 24 bits
 Conversion rate: 6.25 ... 1 600 meas./s.
 Transmission rate: up to 1 000 meas./s.
 Function: Transmitter (T version)
 Dosing (D version)
 Checkweigher (C version)

P/N	Designation	FS	v _{min.}	DC
530140	DIGITAL TRANSMITTER ENOD3-T ALUBOX			R4
530135	DIGITAL TRANSMITTER ENOD3-C ALUBOX (cert. OIML R76 6 000d)			R4
530132	DIGITAL TRANSMITTER ENOD3-D ALUBOX (cert. OIML R76 6 000d)			R4
Evaluation kit eNod:				
530143	EVALUATION KIT ENOD3-T (includes: 1 x ENOD3-T DIN, 1 x USB/RS232 converter, 1 x CD-Rom eNodView)			R4
530129	EVALUATION KIT ENOD3-C (includes: 1 x ENOD3-C DIN, 1 x USB/RS232 converter, 1 x CD-Rom eNodView)			R4
530134	EVALUATION KIT ENOD3-D (includes: 1 x ENOD3D DIN, 1 x USB/RS232 converter, 1 x CD-Rom eNodView)			R4
Accessories:				
640151	DSP10-24 RAIL DIN POWER SUPPLY (110/220 VAC, 24 VCC, 10 W)			R4
640095	RS232/USB CONVERTER			R4
640096	RS485/USB CONVERTER			R3
Related product:				
	ENODVIEW SOFTWARE			

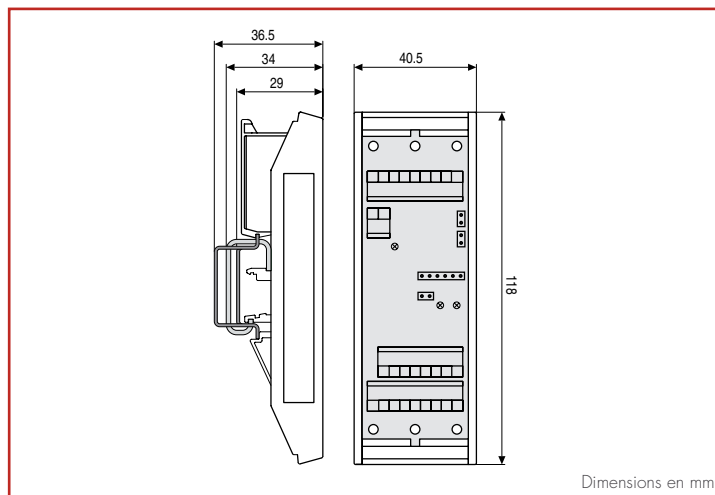
FS: rated capacity / v min = minimal interval (according to cert. OIML R60) / C.E. = Combined error in % of FS / DC = Code put back

ENOD3 DIN

1 600 meas./s. , ±500 000 pts



- Digital measurement conditioner
- Up to 4 strain gauged load cells (4/6 wires)
- 24 bits A/D converter
- Programmable digital filters
- 2 digital inputs and 2 outputs
- Communication in RS485, CAN and RS232



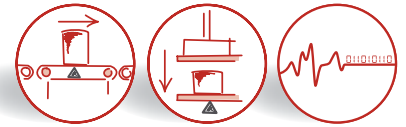
Power supply: 10 ... 28 VDC
 Admissible input signal: 0 ... 7.8 mV/V
 Accuracy class: 0.005 %
 Max. resolution: ±500 000 pts
 Internal resolution: 24 bits
 Conversion rate: 6.25 ... 1 600 meas./s.
 Transmission rate: up to 1 000 meas./s.
 Function: Transmitter (T version)
 Dosing (D version)
 Checkweigher (C version)

P/N	Designation	FS	v _{min.}	DC
"Board" versions:				
530120	ENOD3-C CARD			R4
530130	ENOD3-D CARD			R4
"Rail Din" versions:				
530137	DIGITAL TRANSMITTER ENOD3-T DIN			R4
530124	ENOD3-C DIN			R4
530131	ENOD3-D DIN			R4
Evaluation kit eNod:				
530143	EVALUATION KIT ENOD3-T (includes: 1 x ENOD3-T DIN, 1 x USB/RS232 converter, 1 x CD-Rom eNodView)			R4
530129	EVALUATION KIT ENOD3-C (includes: 1 x ENOD3-C DIN, 1 x USB/RS232 converter, 1 x CD-Rom eNodView)			R4
530134	EVALUATION KIT ENOD3-D (includes: 1 x ENOD3-D DIN, 1 x USB/RS232 converter, 1 x CD-Rom eNodView)			R4
Accessories:				
640151	DSP10-24 RAIL DIN POWER SUPPLY (110/220 VAC, 24 VCC, 10 W)			R4
640095	RS232/USB CONVERTER			R4
640096	RS485/USB CONVERTER			R3
Related product:				
	ENODVIEW SOFTWARE			

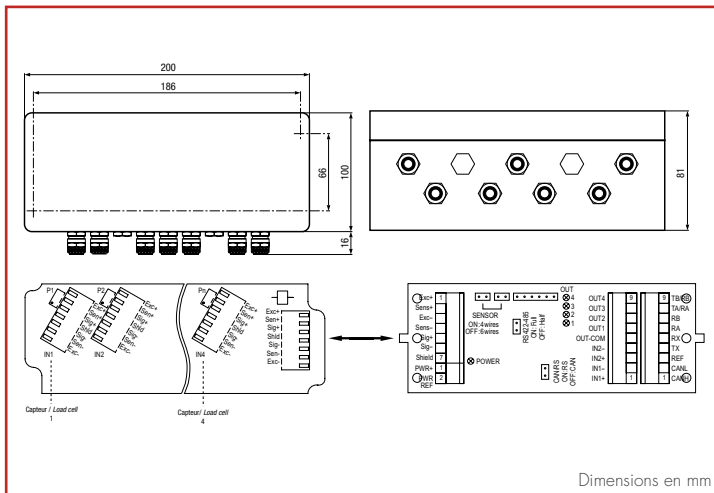
FS: rated capacity / v_{min.} = minimal interval (according to cert. OIML R60) / C.E. = Combined error in % of FS / DC = Code put back

ENOD3 JB4

1 600 meas./s. , ±500 000 pts



- Digital measurement transmitter
- Includes analog summation board of up to 4 load cells
- Aluminum painted box, IP65 protection
- Up to 4 strain gauged load cells (4/6 wires)
- Programmable digital filters
- 2 digital inputs and 4 outputs
- Communication in RS485, CAN and RS232



Power supply: 10 ... 28 VDC
 Admissible input signal: 0 ... 7.8 mV/V
 Accuracy class: 0.005 %
 Max. resolution: ±500 000 pts
 Internal resolution: 24 bits
 Conversion rate: 6.25 ... 1 600 meas./s.
 Transmission rate: up to 1 000 meas./s.
 Function: Transmitter (T version)
 Dosing (D version)
 Checkweigher (C version)

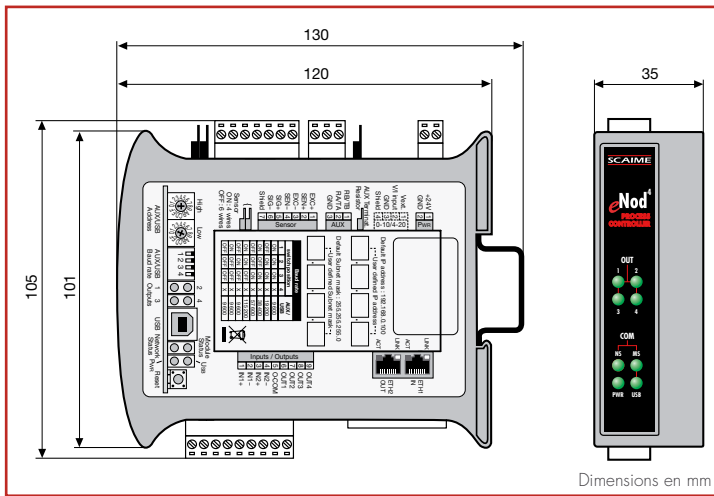
P/N	Designation	FS	v _{min.}	DC
530142	DIGITAL TRANSMITTER ENOD3-T JB4			R4
530122	DIGITAL TRANSMITTER ENOD3-C JB4			R4
530133	DIGITAL TRANSMITTER ENOD3-D JB4			R4
Evaluation kit eNod:				
530143	EVALUATION KIT ENOD3-T (includes: 1 x ENOD3-T DIN, 1 x USB/RS232 converter, 1 x CD-Rom eNodView)			R4
530129	EVALUATION KIT ENOD3-C (includes: 1 x ENOD3-C DIN, 1 x USB/RS232 converter, 1 x CD-Rom eNodView)			R4
530134	EVALUATION KIT ENOD3-D (includes: 1 x ENOD3D DIN, 1 x USB/RS232 converter, 1 x CD-Rom eNodView)			R4
Accessories:				
640151	DSP10-24 RAIL DIN POWER SUPPLY (110/220 VAC, 24 VCC, 10 W)			R4
640095	RS232/USB CONVERTER			R4
640096	RS485/USB CONVERTER			R3
Related product:				
	ENODVIEW SOFTWARE			

FS: rated capacity / v_{min.} = minimal interval (according to cert. OIML R60) / C.E. = Combined error in % of FS / DC = Code put back

ENOD4

CANopen, Modbus-RTU

- Digital measurement conditioner
- Up to 4 strain gage load cells (4/6 wires), 24 bits A/D converter
- Factory calibrating
- Programmable digital filters
- 2 digital inputs and 4 outputs, PLC
- Communication in RS485, CAN and USB port
- RS485 output for eNodTouch HMI



Power supply: 10 ... 28 VDC
 Admissible input signal: 0 ... 7.8 mV/V
 Accuracy class: 0.005 %
 Max. resolution: ±500 000 pts
 Internal resolution: 24 bits
 Conversion rate: 6.25 ... 1 600 meas./s.
 Transmission rate: up to 1 000 meas./s.
 Function: Transmitter (T version)
 Dosing (D version)
 Checkweigher (C version)

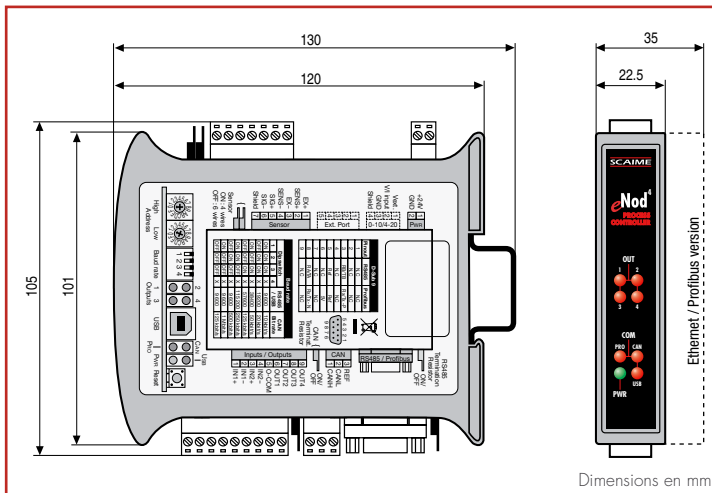
P/N	Designation	FS	v _{min.}	DC
530144	DIGITAL TRANSMITTER ENOD4-T DIN			R4
530147	DIGITAL CONTROLLER ENOD4-C DIN			R4
530152	DIGITAL CONTROLLER ENOD4-D DIN			R4
	Options:			
850314	OPTIONAL 0-10V INPUT FOR ENOD4			R4
850315	OPTIONAL 4-20MA INPUT FOR ENOD4			R4
	Accessories:			
640151	DSP10-24 RAIL DIN POWER SUPPLY (110/220 VAC, 24 VCC, 10 W)			R4
530146	ACCESSORIES KIT FOR ENOD4 (included: 1 cable USB, 1 connector RS485, 1 CD eNodView)			R4
632150	3"4 ENODTOUCH HMI FOR ENOD4			R4
	Related product:			
	ENODVIEW SOFTWARE			

FS: rated capacity / v min = minimal interval (according to cert. OIML R60) / C.E. = Combined error in % of FS / DC = Code put back

ENOD4 PRO

Profibus-DP

- Digital measurement conditioner
- Up to 4 strain gage load cells (4/6 wires)
- Factory calibrated
- Programmable digital filters
- 2 digital inputs and 4 outputs
- PLC communication Profibus-DP V1 and USB port
- RS485 output for eNodTouch HMI



Power supply: 10 ... 28 VDC
 Admissible input signal: 0 ... 7.8 mV/V
 Accuracy class: 0.005 %
 Max. resolution: ±500 000 pts
 Internal resolution: 24 bits
 Conversion rate: 6.25 ... 1 600 meas./s.
 Transmission rate: up to 1 000 meas./s.
 Function: Transmitter (T version)
 Dosing (D version)
 Checkweigher (C version)

P/N	Designation	FS	v _{min.}	DC
530145	DIGITAL TRANSMITTER ENOD4-T PRO DIN PROFIBUS-DP			R4
530148	DIGITAL CONTROLLER ENOD4-C PRO DIN PROFIBUS-DP			R4
530153	DIGITAL CONTROLLER ENOD4-D PRO DIN PROFIBUS-DP			R4
Options:				
850314	OPTIONAL 0-10V INPUT FOR ENOD4			R4
850315	OPTIONAL 4-20MA INPUT FOR ENOD4			R4
Accessories:				
640151	DSP10-24 RAIL DIN POWER SUPPLY (110/220 VAC, 24 VCC, 10 W)			R4
530146	ACCESSORIES KIT FOR ENOD4 (included: 1 cable USB, 1 connector RS485, 1 CD eNodView)			R4
632150	3"4 ENODTOUCH HMI FOR ENOD4			R4
Related product:				
	ENODVIEW SOFTWARE			

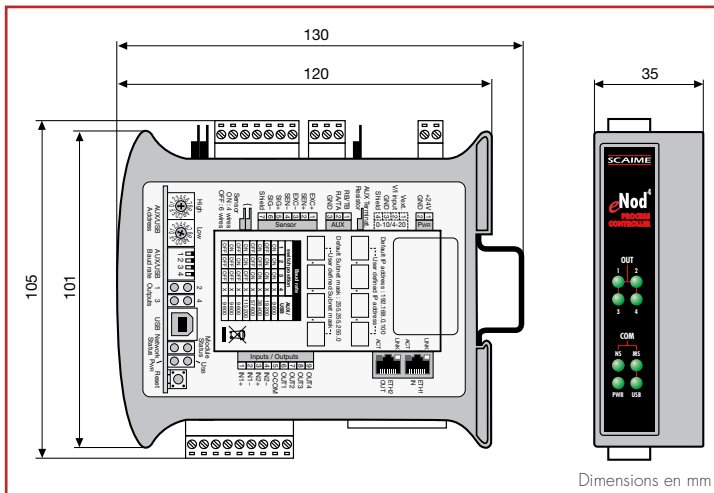
FS: rated capacity / v min = minimal interval (according to cert. OIML R60) / C.E. = Combined error in % of FS / DC = Code put back

ENOD4 ETH

Modbus-TCP, EtherNet/IP, Profinet



- Digital measurement transmitter
- Up to 8 strain gage load cells (4/6 wires)
- Factory calibrated
- Programmable digital filters
- 2 digital inputs and 4 outputs
- Ethernet PLC communication and USB port
- RS485 output for eNodTouch HMI



Power supply: 10 ... 28 VDC
 Admissible input signal: 0 ... 7.8 mV/V
 Accuracy class: 0.005 %
 Max. resolution: $\pm 500\,000$ pts
 Internal resolution: 24 bits
 Conversion rate: 6.25 ... 1 600 meas./s.
 Transmission rate: up to 1 000 meas./s.
 Function: Transmitter (T version)
 Dosing (D version)
 Checkweigher (C version)

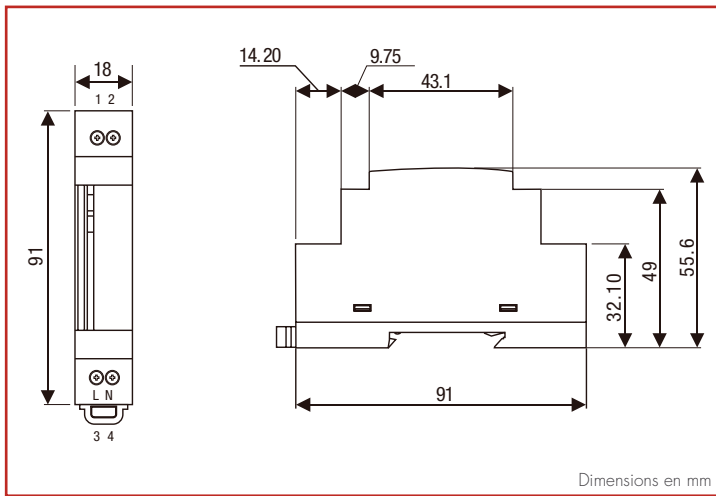
P/N	Designation	FS	v _{min.}	DC
530160	DIGITAL TRANSMITTER ENOD4-T ETH DIN ETHERNET/IP			R4
530161	DIGITAL TRANSMITTER ENOD4-T ETH DIN MODBUS-TCP			R4
530162	DIGITAL TRANSMITTER ENOD4-T ETH DIN PROFINET			R4
530163	DIGITAL TRANSMITTER ENOD4-C ETH DIN ETHERNET/IP			R4
530164	DIGITAL TRANSMITTER ENOD4-C ETH DIN MODBUS-TCP			R4
530165	DIGITAL TRANSMITTER ENOD4-C ETH DIN PROFINET			R4
530166	DIGITAL TRANSMITTER ENOD4-D ETH DIN ETHERNET/IP			R4
530167	DIGITAL TRANSMITTER ENOD4-D ETH DIN MODBUS-TCP			R4
530168	DIGITAL TRANSMITTER ENOD4-D ETH DIN PROFINET			R4
	Options:			
850314	OPTIONAL 0-10V INPUT FOR ENOD4			R4
850315	OPTIONAL 4-20MA INPUT FOR ENOD4			R4
	Accessories:			
640151	DSP10-24 RAIL DIN POWER SUPPLY (110/220 VAC, 24 VCC, 10 W)			R4
530146	ACCESSORIES KIT FOR ENOD4 (included: 1 cable USB, 1 connector RS485, 1 CD eNodView)			R4
632150	3"4 ENODTOUCH HMI FOR ENOD4			R4
	Related product:			
	ENODVIEW SOFTWARE			

FS: rated capacity / v_{min.} = minimal interval (according to cert. OIML R60) / C.E. = Combined error in % of FS / DC = Code put back

DSP

110-220 VAC / 24 VDC

- Low profile power supply
- DIN Rail mount
- Wide Range AC input
- Class II double insulation
- Rugged construction



Input voltage: 90-264 VAC, 47-63 Hz
 Output voltage: 24 VDC \pm 1%
 Max. current: 0.42 A
 Power: 10.1 W
 Efficiency: 80 %
 Operating temperature: -25 ... +71°C

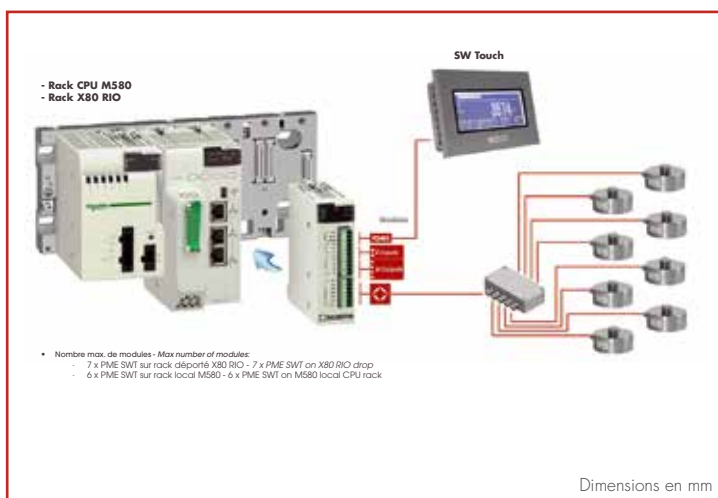
P/N	Designation	FS	v _{min.}	DC
640151	DSP10-24 RAIL DIN POWER SUPPLY (110/220 VAC, 24 VCC, 10 W)			R4

FS: rated capacity / v min = minimal interval (according to cert. OIML R60) / C.E. = Combined error in % of FS / DC = Code put back

PME SWT

400 meas./s., $\pm 500\ 000$ pts

- 1 weighing channel, up to 8 load cells (4/6 wires) connected in parallel
- 24 bits A/D converter
- Direct installation on M580 Ethernet backplane or Mx80 RIO
- 2 digital inputs and 4 outputs for dosing or thresholds control
- 1 RS485 link for eNodTouch HMI
- Complete commissioning and Data access from Unity PRO via DTM



Admissible input signal: 0 ... 7.8 mV/V
 Accuracy class: 0.005 %
 Max. resolution: $\pm 500\ 000$ pts
 Internal resolution: 24 bits
 Conversion rate: 6.25 ... 400 meas./s.
 External rate: up to 100 meas./s.
 Functions: transmitter, dosing, flow rate calculation

P/N	Designation	FS	V _{min.}	DC
530170	PME SWT 0100			R2
632160	Accessories: 3"4 SWTOUCH HMI FOR PMESWT			R4

FS: rated capacity / v min = minimal interval (according to cert. OIML R60) / C.E. = Combined error in % of FS / DC = Code pul back



Associated Electronics

Indicators...

Indicator for weighing applications

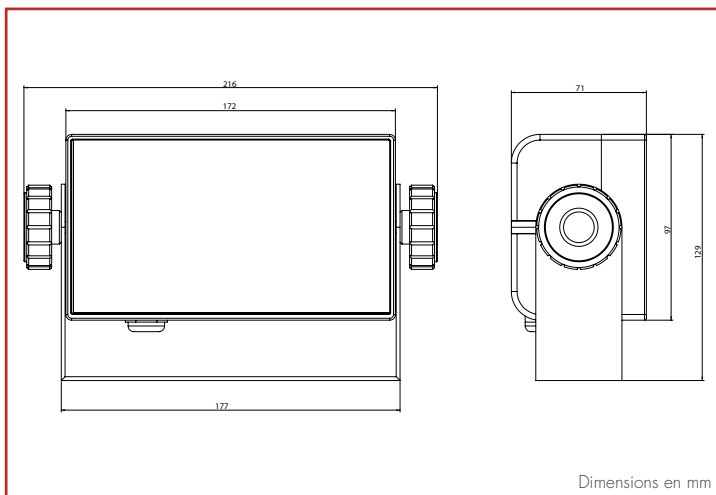
IPC20

10 000 d / 3 x 3 000 d

- STANDARD version (STD), IP54 protected
- INDUSTRY Version (IND), IP68 protected
- Up to 8 load cells 350 Ω (4 or 6 wires)
- Powered by 4xAA batteries (STD) or integrated rechargeable battery (IND)
- Backlight 25 mm LCD display, 5-Key waterproof keyboard



Approved up to 10 000 d according to EN 45501
 Displayed resolution: 10 000 d, 3x3 000 d, HR Up to 1 000 000 d
 Load cell input voltage: 5 VDC
 Admissible load cell signal: 0 ... +16 mV/V
 Min. voltage per division: 0.3 μ V
 Internal resolution: 24 bits
 Display: LCD 6 digits 25 mm backlit
 Conversion rate: max. 200 meas./s.
 Warranty: 1 year



P/N	Designation	FS	v _{min.}	DC
632071	SCALE INDICATOR IPC20 STD			R4
632072	SCALE INDICATOR IPC20 IND			R4
Options:				
632103	TIME/DATE OPTION FOR IPC50/IPE50			R4
632104	DSD+TIME/DATE OPTION FOR IPC50/IPE50			R4

FS: rated capacity / v min = minimal interval (according to cert. OIML R60) / C.E. = Combined error in % of FS / DC = Code put back

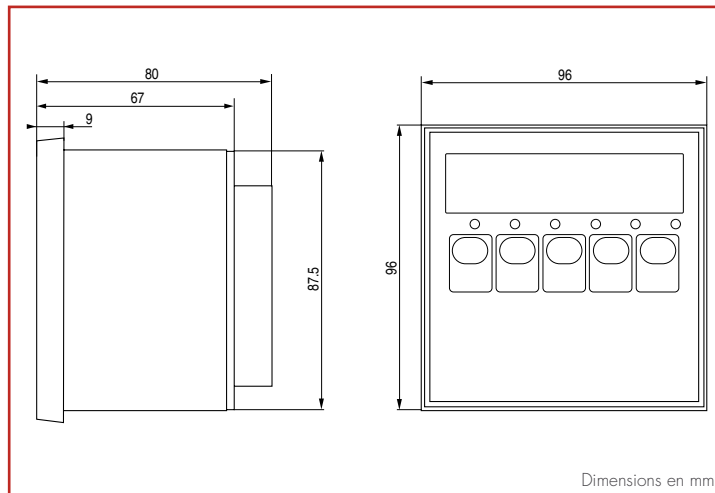
Indicator for weighing applications

IPE50 PANEL

10 000 d / 2 x 3 000 d



- Compact housing, panel mounting
- Up to 8 load cells 350 Ω (4 or 6 wires)
- 1 RS485 output and 1 RS232 output, Profibus-DP in option
- 2 relay outputs and 2 logical inputs, 4 additional relay outputs in option
- Alibi memory in option, analog output in option



Approved up to 10 000 d according to EN 45501

Power supply: 12 ... 24 VDC / 3.6 W

Load cell input voltage: 5 VDC / 120 mA

Admissible load cell signal: 0 ... +6 mV/V

Min. voltage per division: 0.3 μV

Conversion rate: max. 200 conv./s.

Transmission rate: max. 15 meas./s.

Display: 6 digit LED, 18 mm height

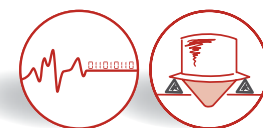
Warranty: 1 year

P/N	Designation	FS	V _{min.}	DC
632020	INDICATOR IPE 50 PANEL 2S			R4
632021	INDICATOR IPE 50 PANEL 2S ANA			R4
632022	INDICATOR IPE 50 PANEL 2S PROFIBUS			R4
Options:				
632103	TIME/DATE OPTION FOR IPC50/IPE50			R4
632104	DSD+TIME/DATE OPTION FOR IPC50/IPE50			R4
632024	4 SETPOINTS OPTION BOARD FOR IPE 50 PANEL			R4
Accessories:				
632100	INTERNAL POWER SUPPLY FOR IPE 50 (220 VAC/12 VCC)			R4
640151	DSP10-24 RAIL DIN POWER SUPPLY (110/220 VAC, 24 VCC, 10 W)			R4
Related products:				
	PANEL PRINTER TP200			
	INDICATOR/REPEATER IPE50 XLR			

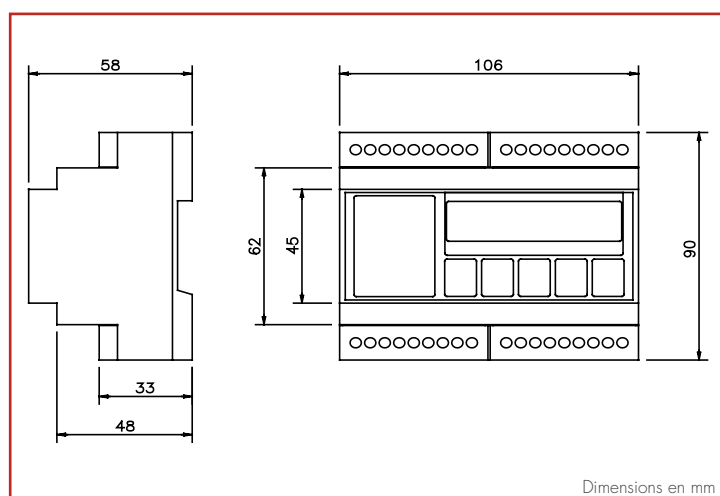
FS: rated capacity / v min = minimal interval (according to cert. OIML R60) / C.E. = Combined error in % of FS / DC = Code put back

IPE50 DIN

10 000 d / 2 x 3 000 d



- 4 independant channels
- Din rail mounting
- Up to 8 load cells 350 Ω (4 or 6 wires)
- 1 RS485 output and 1 RS232, Profibus-DP in option
- 2 relay outputs and 2 logical inputs
- 0-10 V, 0-20 mA and 4-20 mA analog output
- Alibi memory in option



Approved up to 10 000 d according to EN 45501

Power supply: 12 ... 24 VDC / 3.6 W

Load cell input voltage: 5 VDC / 120 mA (4 or 6 files)

Admissible load cell signal: 0 ... +6 mV/V

Min. voltage per division: 0.3 μ V

Conversion rate: max. 200 conv./s.

Transmission rate: max. 15 meas./s.

Display: 6 digit LED, 13 mm height

Warranty: 1 year

P/N	Designation	FS	V _{min.}	DC
632010	INDICATOR IPE 50 DIN 2S ANA			R4
632011	INDICATOR IPE 50 DIN 2S PROFIBUS			R4
	Options:			
632103	TIME/DATE OPTION FOR IPC50/IPE50			R4
632104	DSD+TIME/DATE OPTION FOR IPC50/IPE50			R4
	Accessories:			
632012	PLASTIC HOUSING IP55 FOR IPE 50 DIN			R4
632100	INTERNAL POWER SUPPLY FOR IPE 50 (220 VAC/12 VCC)			R4
640151	DSP10-24 RAIL DIN POWER SUPPLY (110/220 VAC, 24 VCC, 10 W)			R4
	Related products:			
	PANEL PRINTER TP200			
	INDICATOR/REPEATER IPE50 XLR			

FS: rated capacity / v min = minimal interval (according to cert. OIML R60) / C.E. = Combined error in % of FS / DC = Code put back

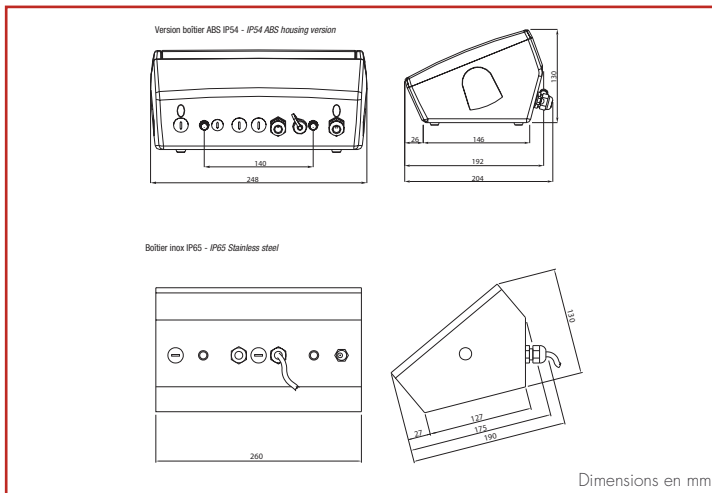
Indicator for weighing applications

IPC50

10 000 d / 3 x 3 000 d



- ABS housing IP54, or stainless steel IP65
- Up to 8 load cells 350 Ω (4 or 6 wires)
- 2 RS232 output (1 RS485 in option)
- Integrated rechargeable battery
- Waterproof 17-keys functional keyboard
- Analog output (option)



Approved up to 10 000 d according to EN 45501

Power supply: 110-240 VAC

Load cell input voltage: 5 VDC

Admissible load cell signal: 0 ... +6 mV/V

Min. voltage per division: 0.3 μV

Internal resolution: 24 bits

Display: LCD 6 digits 25 mm backlit

Conversion rate: max. 100 meas./s.

Warranty: 1 year

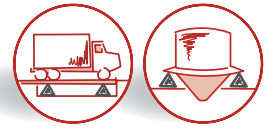
P/N	Designation	FS	v _{min.}	DC
Plastic box version:				
632060	INDICATOR IPC 50 V2 PLBOX (plastic housing, embeded battery, external 220V power supply)			R4
Stainless steel box version:				
632061	INDICATOR IPC 50 V2 SSBOX (stainless steel housing, embeded battery, internal 220V power supply)			R4
Options common to both versions:				
632062	ANALOG OUTPUT FOR IPC50 (0-10V or 4-20mA)			R4
632103	TIME/DATE OPTION FOR IPC50/IPE50			R4
632104	DSD+TIME/DATE OPTION FOR IPC50/IPE50			R4
632105	2I/2O OPTION BOARD FOR IPC 50			R4
632109	RS485 OPTION BOARD FOR IPC 50			R4
Accessories:				
632063	IR REMOTE CONTROL FOR IPC50/IPE50XLR			R4
632102	FIXED WALL MOUNT FOR IPC50/IPE50XLR			R4
632121	ADJUSTABLE WALL MOUNT FOR IPC50/IPE50XLR			R4
Related products:				
	PANEL PRINTER TP200			
	INDICATOR/REPEATER IPE50 XLR			

FS: rated capacity / v min = minimal interval (according to cert. OIML R60) / C.E. = Combined error in % of FS / DC = Code put back

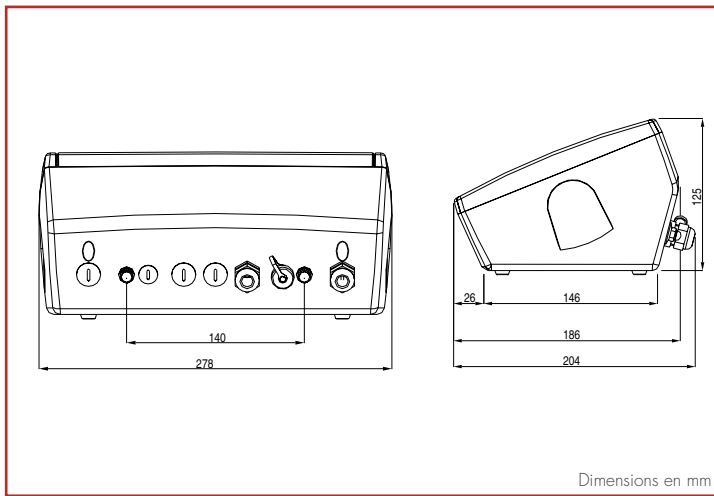
Indicator for weighing applications

IPE100

10 000 d / 3 x 3 000 d



- Red led display with 6 digits 15 mm height
- IP54 ABS housing version, waterproof 25-keys functional keyboard
- Up to 16 analog load cells 350 Ω or 16 digital load cells (CB50X-DL or others)
- LCD graphical 25 x 100 mm display
- 2 RS232 outputs and 1 RS485/RS232 output
- Software for weighbridge monitoring, built-in alibi memory



- Approved up to 10 000 d according to EN 45501
 Power supply: 110-240 VAC
 Analog load cell input voltage: 5 VDC
 Digital load cell input voltage: integrated 12 VDC
 Min. voltage per division: 0.3 μV
 Internal resolution: 24 bits
 Display: 6 digit LED,
 15 mm height + LCD graphic 25 x 100 mm
 Warranty: 1 year

Dimensions en mm

P/N	Designation	FS	v _{min.}	DC
632065	DIGITAL & ANALOG INDICATOR IPE100 FOR WEIGHBRIDGES			R4
	Related products:			
	PANEL PRINTER TP200			
	INDICATOR/REPEATER IPE50 XLR			

FS: rated capacity / v min = minimal interval (according to cert. OIML R60) / C.E. = Combined error in % of FS / DC = Code put back

TP200

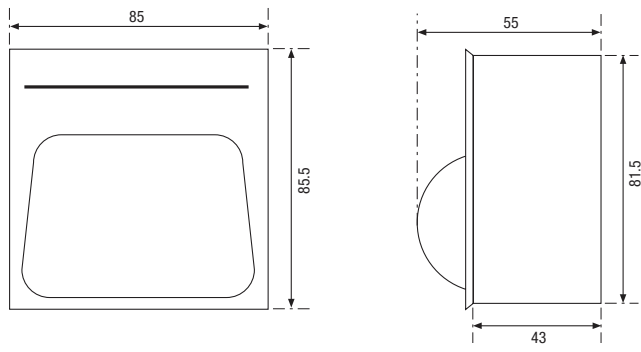
Panel Printer

- Thermal printer 24/40 col. for panel mount
- 203 dpi, 50 mm/s
- Thermal paper width 58 mm, Ø50 mm



Découpe de panneau - Panel cutout : 82 x 82 mm

Alimentation - Power supply :
- tête thermique : 4.5 à 7 VDC, 3.3 A, logique : 5 VDC, 0.2 A
- thermal head: 4.5 at 7 VDC, 3.3 A, logic: 5 VDC, 0.2 A
- livrée avec alimentation 110/240 VAC, 5 VDC
- power supply 110/240 VAC, 5 VDC included



Dimensions en mm

For : IPC50, IPE50 DIN, IPE50 PANEL

P/N	Designation	FS	v _{min.}	DC
632113	PANEL PRINTER TP200			R4
632115	Edible: SET OF 50 PAPER ROLLS FOR TP200 PRINTER			R4

FS: rated capacity / v min = minimal interval (according to cert. OVM1 R00) / C.E. = Combined error in % of FS / DC = Code put back

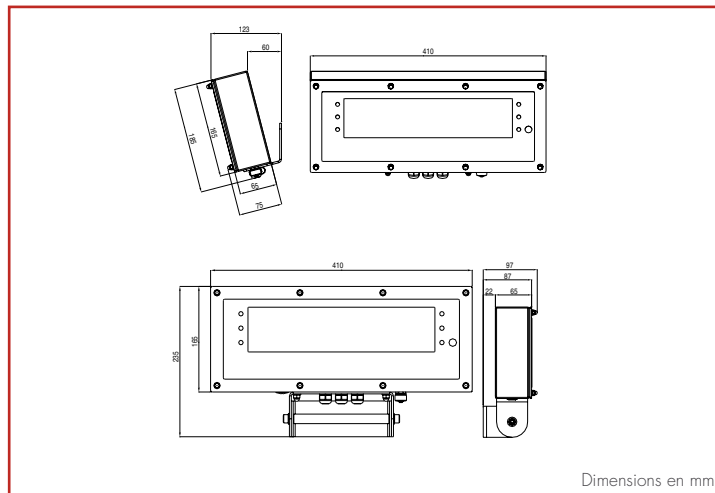
Indicator/Repeater for weighing applications

IPE50 XLR/XLI

10 000 d / 2 x 3 000 d



- Large display with 60 mm digits, suitable for outdoor use, also in direct sunlight
- IP67 Stainless Steel housing
- Up to 8 load cells 350 Ω (4 or 6 wire)
- 1 RS485 output and 1 RS232 output
- 2 models: indicator (XLI) and repeater (XLR)
- Optional remote control



Dimensions en mm

Approved 10 000 d according to EN 45501(XLI indicator)

Material: Stainless steel housing

Compatibility: IPE50 and IPC50 indicators

Accessories: wall brackets

P/N	Designation	FS	v _{min.}	DC
	"Repeater" version			
632120	REPEATER IPE50 XLR (can be used as a remote display for IPC50, IPE50, IPE100)			R4
	"Indicator" version			
632122	INDICATOR IPE50 XLI 2S (can only be used as an indicator)			R4
	Options for XLI version:			
632103	TIME/DATE OPTION FOR IPC50/IPE50			R4
632104	DSD+TIME/DATE OPTION FOR IPC50/IPE50			R4
	Accessories:			
632063	IR REMOTE CONTROL FOR IPC50/IPE50XLR			R4
632102	FIXED WALL MOUNT FOR IPC50/IPE50XLR			R4
632121	ADJUSTABLE WALL MOUNT FOR IPC50/IPE50XLR			R4

FS: rated capacity / v min = minimal interval (according to cert. OIML R60) / C.E. = Combined error in % of FS / DC = Code put back



Associated Electronics

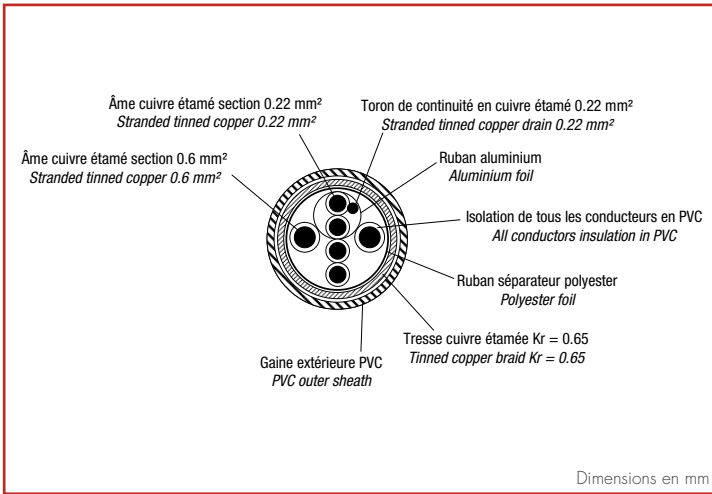
Accessories...

ANALOG CABLE

Analog connection



- 6 shielded wires analog connection
- Black PVC outer sheath
- Outer jacket diameter 7.1 mm
- Complete insulation of measuring signal
- Shielded by aluminum foil and tinned copper braid
- Available in blue outer sheath for use in hazardous areas
- Anti-rodent steel shielded version



+ Excit.: Brown | + Sign.: Yellow | - Sign.: White | - Excit.: Green | + Sense: Grey | - Sense: Pink

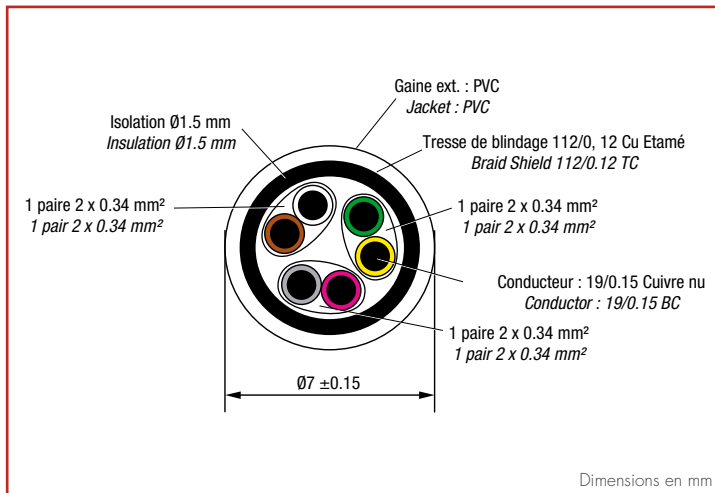
P/N	Designation	FS	DC
6 -Wire version, standard application			
825810	6 COND. SHIELDED CABLE Ø 7.1 MM (per metre)		R4
825813	6 COND. SHIELDED CABLE Ø 7.1 MM (per spool of 500 m)		R4
6 -Wire version, with shielded steel cable			
825817	6 COND. DOUBLE SHIELDED CABLE Ø 7.1 MM (per metre)		R4
825818	6 COND. DOUBLE SHIELDED CABLE Ø 7.1 MM (per spool of 500 m)		R4
6 -Wire version, for ATEX application			
825812	6 COND. SHIELDED CABLE Ø 7.1 MM BLUE (per metre)		R4
825814	6 COND. SHIELDED CABLE Ø 7.1 MM BLUE (per spool of 500 m)		R4

FS: rated capacity / v min = minimal interval (according to cert. OVM1 R60) / C.E. = Combined error in % of FS / DC = Code per back

DIGITAL CABLE

Digital connection

- 3 twisted pairs pecially designed for digital load cells wiring
- Braid Shield TC
- 1 twisted pair 0.34 mm² for communication
- 2 twisted pairs 0.34 mm² for powering
- Anti-rodent steel shielded



+ Excit.: Brown | + Sign.: White | - Sign.: Yellow | - Excit.: Green | + Sense: Grey | - Sense: Pink

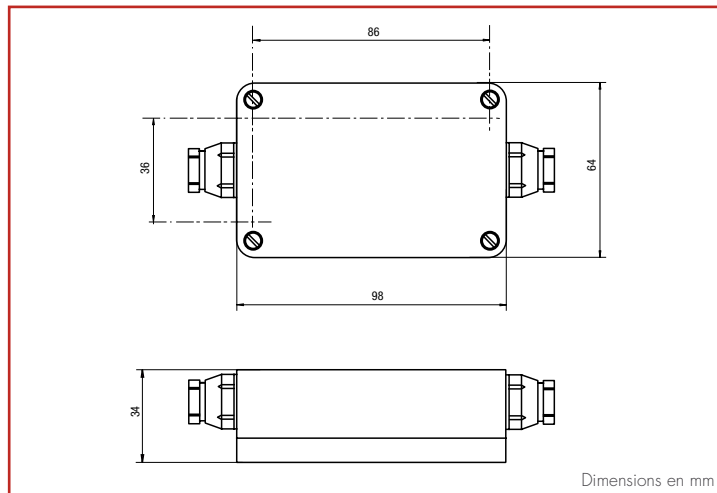
P/N	Precision	Designation	FS	v _{min.}	DC
Digital versions, anti-rodent shielded					
005931		3 TWISTED PAIRS CABLE Ø 7.1 MM (per metre)			R4
825820		3 TWISTED PAIRS CABLE Ø 7.1 MM (per spool of 500 m)			R4

FS: rated capacity / v min = minimal interval (according to cert. OIML R60) / C.E. = Combined error in % of FS / DC = Code put back

ALCJB 1

1 analog sensor

- Junction box for 4/6 wire analog load cell
- Painted aluminum box, IP65 protection
- Connection by spring clamps



Protection level: IP65
 Compensated temperature range: -40 ... +60°C
 Cable gland number: 1 input, 1 output
 Cable gland type: duclanized brass Ø3.5 / 7.5 mm
 Warranty: 1 year

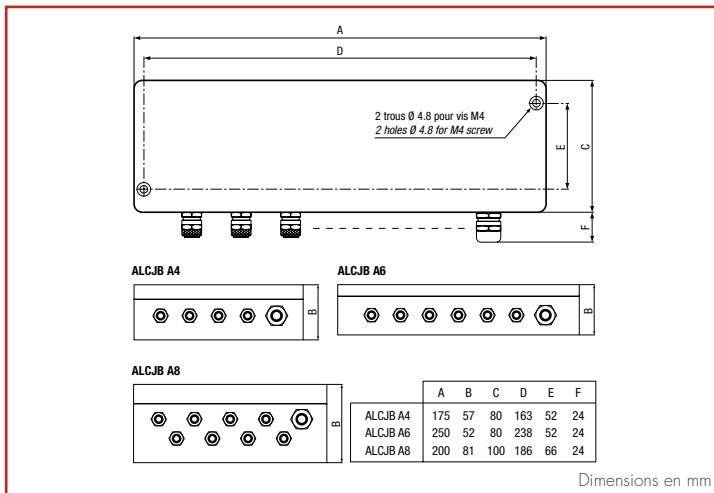
P/N	Designation	FS	v _{min.}	DC
NON ATEX COMPATIBLE version				
803038	JUNCTION BOX ALCJB1			R4
ATEX COMPATIBLE version				
803049	JUNCTION BOX ALCJB1			R4
Options:				
850262	"SI" TEST FOR ALCJB ATEX - Ⓢ II 1 G/D, Ex ia IIC T6 Ga, Ex ia IIC T80°C Da, IP6X, -40°C <Ta < +40°C (zone 0/20)			R2
850275	"n" TEST FOR ALCJB ATEX - Ⓢ II 3 G, Ex nA IIC T6 Gc, -40°C <Ta < +40°C (zone 2)			R2
850277	"DUST" MARKING FOR ALCJB ATEX - Ⓢ II 2 D, Ex ib IIC T80°C Db, IP6X, -40°C <Ta < +40°C (zone 21) "GOST" TEST & MARKING FOR ATEX JUNCTION BOXES IN HAZARDOUS AREAS: Consult us			R2

FS: rated capacity / v min = minimal interval (according to cert. OIML R60) / C.E. = Combined error in % of FS / DC = Code put back

ALCJB-A

4, 6, 8 analog sensors

- Junction box for 4/6 wire analog load cells
- Painted aluminum box, IP65 protection
- Versions for 4, 6, 8 load cells wiring
- Corner balancing by potentiometers
- Tool free connection by spring clamps
- Over-voltage protection in option



Protection level: IP65
 Compensated temperature range: -40 ... +60°C
 Cable gland number: 4, 6 or 8 input, 1 output
 Cable gland type: nickel-plated brass
 in: PG9 - Ø3.5 ... 7.5 mm
 out: PG11 - Ø11 ... 10 mm
 Corner balancing: potentiometer 10 Ω or resistor
 Warranty: 1 year

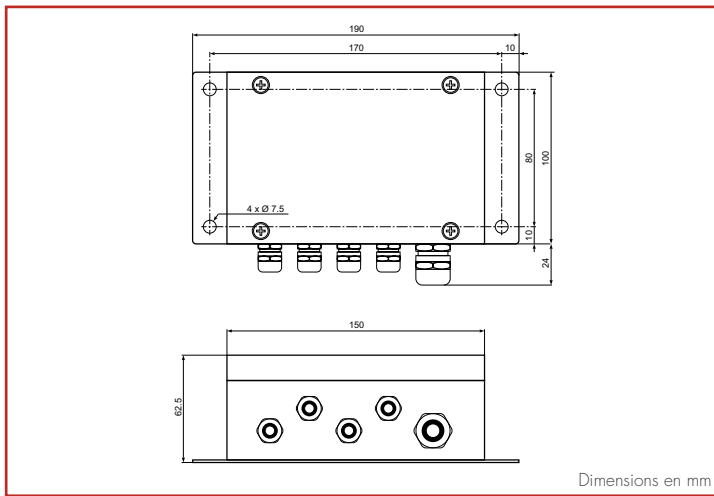
P/N	Designation	FS	V _{min.}	DC
NON ATEX COMPATIBLE versions				
803040	JUNCTION BOX ALCJB-A4			R4
803042	JUNCTION BOX ALCJB-A6			R4
803043	JUNCTION BOX ALCJB-A8			R4
Overvoltage protection version NON ATEX COMPATIBLE				
803044	JUNCTION BOX ALCJB-A8 GDT			R4
ATEX COMPATIBLE versions				
803050	JUNCTION BOX ALCJB-A4			R4
803052	JUNCTION BOX ALCJB-A6			R4
803053	JUNCTION BOX ALCJB-A8			R4
Options:				
850262	"SI" TEST FOR ALCJB ATEX - Ⓢ II 1 G/D, Ex ia IIC T6 Ga, Ex ia IIIC T80°C Da, IP6X, -40°C <Ta < +40°C (zone 0/20)			R2
850275	"n" TEST FOR ALCJB ATEX - Ⓢ II 3 G, Ex nA IIC T6 Gc, -40°C <Ta < +40°C (zone 2)			R2
850277	"DUST" MARKING FOR ALCJB ATEX - Ⓢ II 2 D, Ex Ib IIIC T80°C Db, IP6X, -40°C <Ta < +40°C (zone 21)			R2
	"GOST" TEST & MARKING FOR ATEX JUNCTION BOXES IN HAZARDOUS AREAS: Consult us			

FS: rated capacity / v min = minimal interval (according to cert. OIML R60) / C.E. = Combined error in % of FS / DC = Code put back

ALCJB-X4

4 analog sensors inputs

- Junction box for 4/6 wire analog load cells
- Stainless steel box, IP65 protection
- 4 load cells connection
- Corner adjustment by potentiometers
- Connection by spring clamps
- Board version with DIN Rail supports (see ALCJB-D4)



Protection level: IP65
 Compensated temperature range: -40 ... +60°C
 Cable gland number: 4 input, 1 output
 Cable gland type: nickel-plated brass
 in: PG9 - Ø3.5 ... 7.5 mm
 out: PG11 - Ø5 ... 10 mm
 Warranty: 1 year

P/N	Designation	FS	V _{min.}	DC
Stainless steel version NON ATEX COMPATIBLE				
803041	JUNCTION BOX ALCJB-X4			R4
Stainless steel version ATEX COMPATIBLE				
803051	JUNCTION BOX ALCJB-X4 (stainless steel version)			R4
Options:				
850262	"SI" TEST FOR ALCJB ATEX - Ⓜ II 1 G/D, Ex ia IIC T6 Ga, Ex ia IIC T80°C Da, IP6X, -40°C <Ta < +40°C [zone 0/20]			R2
850275	"n" TEST FOR ALCJB ATEX - Ⓜ II 3 G, Ex nA IIC T6 Gc, -40°C <Ta < +40°C [zone 2]			R2
850277	"DUST" MARKING FOR ALCJB ATEX - Ⓜ II 2 D, Ex Ib IIC T80°C Db, IP6X, -40°C <Ta < +40°C [zone 21]			R2

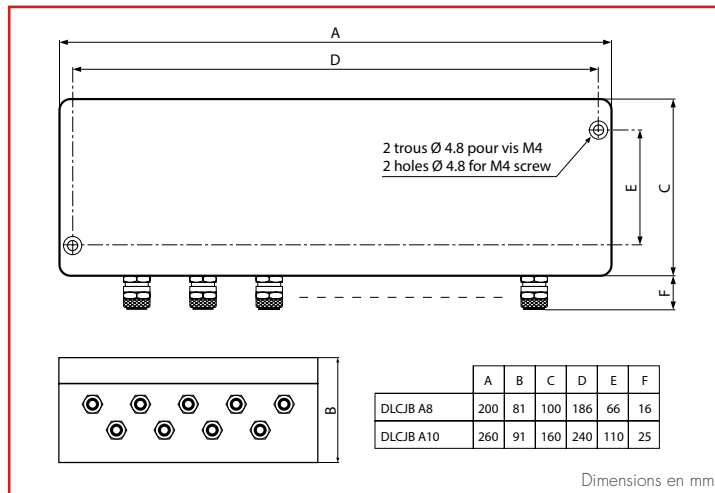
FS: rated capacity / v min = minimal interval (according to cert. OIML R60) / C.E. = Combined error in % of FS / DC = Code put back

DLCJB-A

8, 10 digital sensors



- Connection of digital load cells with RS485 outputs (2 bus wires)
- Painted aluminum box, IP65 protection
- Versions for 8, 10 load cells wiring
- Tool free connection by spring clamps
- Integrated lightning protection



Protection level: IP65
 Compensated temperature range: -40 ... +60°C
 Cable gland number: 8 or 10 output, 1 input
 Cable gland type: nickel-plated brass Ø3.5 / 7.5 mm
 Warranty: 1 year

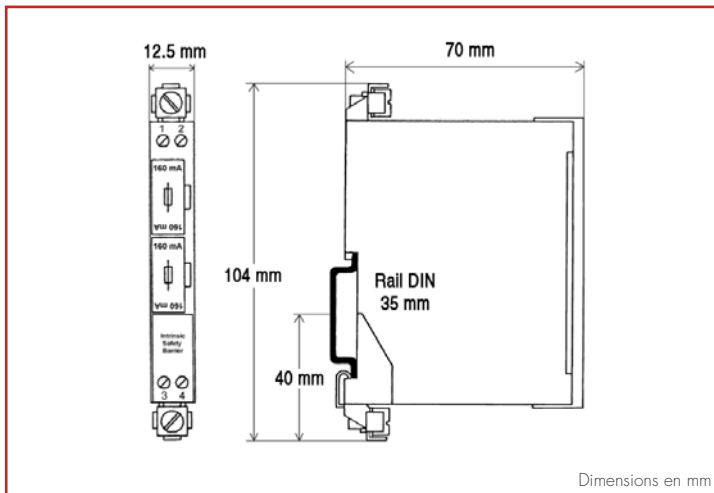
P/N	Designation	FS	v _{min}	DC
803045	JUNCTION BOX DLCJB-A8 GDT			R4

FS: rated capacity / v min = minimal interval (according to cert. OIML R60) / C.E. = Combined error in % of FS / DC = Code put back

ZENER BARRIERS

B15, B16, B19

- For a use of SCAIME load cells in ATEX areas
- Requires 6 wires connection
- Can be used for load cells connection up to 150 m
- Guaranteed metrological characteristics
- Compatible with "SYSTEX" ATEX certified systems



Optional accessories:

- 1 DIN rail portion
- 2 isolators for DIN rail
- 1 connection for earthing
- 1 connection cable to the indicator/transmitter

P/N	Designation	FS	v _{min.}	DC
530501	ZENER BARRIERS KIT B15 - $\text{Ex nA [ia Ga] IIC T4 Gc} / \text{Ex ia Da} \text{ II (1) D, [Ex ia Da] III C}$			R4
530503	ZENER BARRIERS KIT B16 - $\text{Ex nA [ia Ga] IIC T4 Gc} / \text{Ex ia Da} \text{ II (1) D, [Ex ia Da] III C}$			R4
530504	ZENER BARRIERS KIT B19 - $\text{Ex nA [ia Ga] IIC T4 Gc} / \text{Ex ia Da} \text{ II (1) D, [Ex ia Da] III C}$			R4
	Accessory:			
530500	DIN RAIL MOUNTING KIT FOR SYSTEX			R4
	Related product:			
	ATEX system certificate: SYSTEX			

FS: rated capacity / v_{min.} = minimal interval (according to cert. OIML R60) / C.E. = Combined error in % of FS / DC = Code pul back



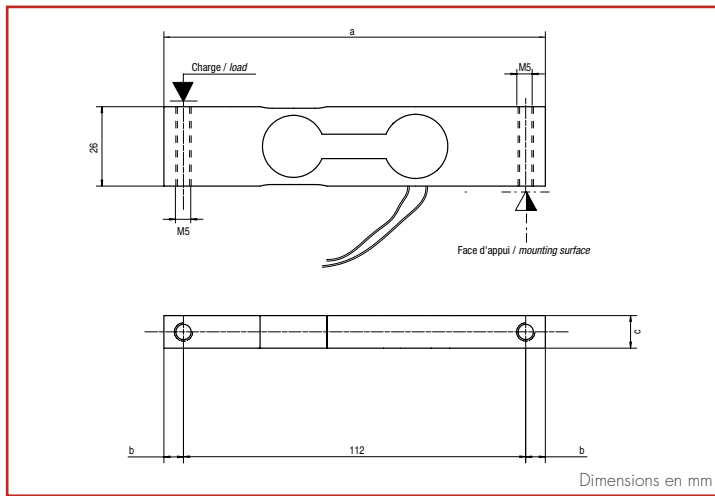
After Sales load cells

BE

1 kg ... 10 kg



- FOR SPARE PART ONLY



+ Excit.: Red | + Sign.: Green | - Sign.: Yellow | - Excit.: Black

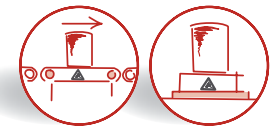
Signal at FS: 1.35 mV/V \pm 18 %
 Combined error: \pm 0.1 % FS
 Impedance (in/out): 832 Ω \pm 80 / 800 Ω \pm 80
 Compensated temperature range: +10 ... +40°C
 Platform size: up to 150 x 150 mm
 Cable/length: 4 wires independant / 150 mm
 Warranty: 1 year

P/N	Designation	FS	C.E.	DC
440500	LOAD CELL BE 1	1 kg	< \pm 0.1 %	R1
440512	LOAD CELL BE 3 SCP	3 kg	< \pm 0.1 %	R1
VOID	LOAD CELL BE 5	5 kg	< \pm 0.1 %	
440530	LOAD CELL BE 10 (end of stock)	10 kg	< \pm 0.1 %	R1

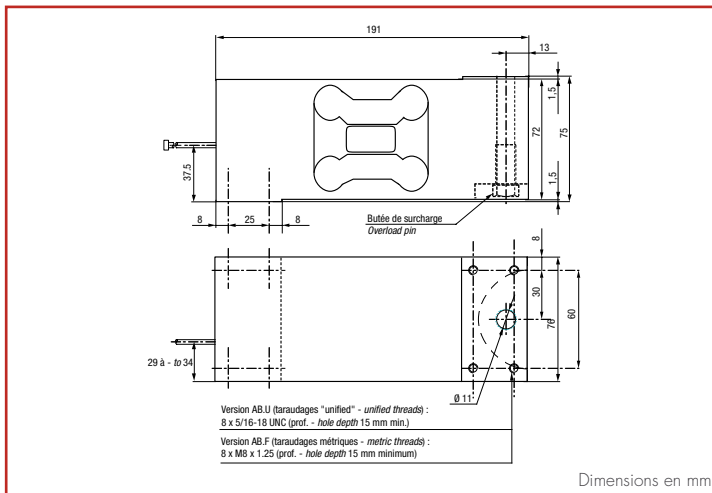
FS: rated capacity / v min = minimal interval (according to cert. OIML R60) / C.E. = Combined error in % of FS / DC = Code per block

AB

50 kg ... 500 kg



- FOR SPARE PART ONLY



Signal at FS: 2 mV/V \pm 10 %
 Combined error: \pm 0.017 %FS
 Impedance (in/out): 410 Ω \pm 20 / 350 Ω \pm 5
 Compensated temperature range: -10 ... +40 °C
 Platform size: 800 x 800 mm
 Cable/length: 6 shielded wires / 3 m
 Warranty: 1 year

+ Excit.: Brown | + Sign.: Yellow | - Sign.: White | - Excit.: Green | + Sense: Grey | - Sense: Pink

Replaces: TH 1250, HBM PW12/PW12B, RT 652, Celtron LOC, CAS BCM, Sensortronics 60060

P/N	Designation	FS	V _{min.}	DC
Approved versions OIML C3, Y = 5 000				
400836	LOAD CELL AB50 C3 SH 5e F	50 kg	10 g	R1
400837	LOAD CELL AB75 C3 SH 5e F	75 kg	15 g	R1
400838	LOAD CELL AB100 C3 SH 5e F	100 kg	20 g	R1
400839	LOAD CELL AB150 C3 SH 5e F	150 kg	30 g	R1
400840	LOAD CELL AB200 C3 SH 5e F	200 kg	40 g	R1
400841	LOAD CELL AB250 C3 SH 5e F	250 kg	50 g	R1
400842	LOAD CELL AB300 C3 SH 5e F	300 kg	60 g	R1
400843	LOAD CELL AB500 C3 SH 5e F	500 kg	100 g	R1
Approved versions OIML C3, Y = 10 000				
400844	LOAD CELL AB50 C3 SH 10e F	50 kg	5 g	R1
400845	LOAD CELL AB75 C3 SH 10e F	75 kg	7.5 g	R1
400846	LOAD CELL AB100 C3 SH 10e F	100 kg	10 g	R1
400847	LOAD CELL AB150 C3 SH 10e F	150 kg	15 g	R1
401014	LOAD CELL AB200 C3 SH 10e F	200 kg	20 g	R1
400849	LOAD CELL AB250 C3 SH 10e F	250 kg	25 g	R1
400850	LOAD CELL AB300 C3 SH 10e F	300 kg	30 g	R1
400851	LOAD CELL AB500 C3 SH 10e F	500 kg	50 g	R1
Versions ABxxx C5 SH 10e (5 000 d OIML): Consult us				

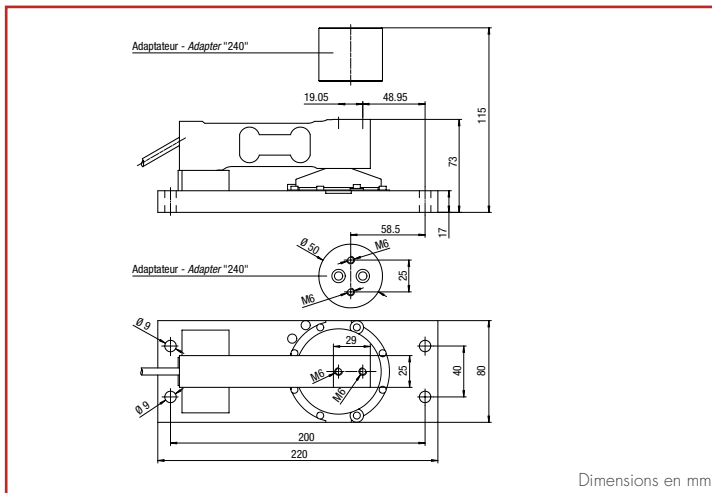
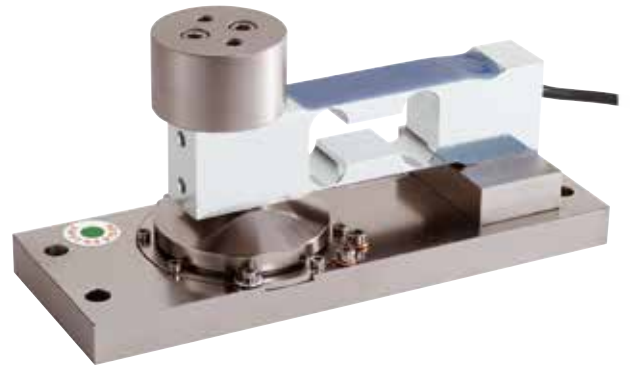
FS: rated capacity / v min = minimal interval (according to cert. OIML R60) / C.E. = Combined error in % of FS / DC = Code per back

SPEEDCELL AG

5 kg ... 50 kg



- FOR SPARE PART ONLY



Dimensions en mm

+ Excit.: Brown | + Sign.: Yellow | - Sign.: White | - Excit.: Green | + Sense: Grey | - Sense: Pink



Load cell sold separately

Signal at FS: 2 mV/V $\pm 10\%$
 Combined error: $\pm 0.017\%$ FS
 Impedance (in/out): 410 $\Omega \pm 20$ / 350 $\Omega \pm 5$
 Compensated temperature range: -10 ... +40°C
 Platform size: up to 400 x 400 mm
 Cable/length: 6 wires / 3 m
 Warranty: 1 year

Replace: TH 240 (with "240" adapter)

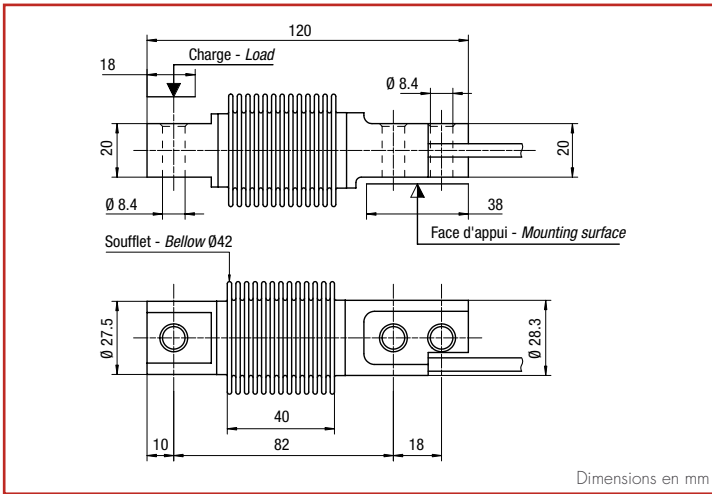
P/N	Designation	FS	v _{min.}	DC
803759	LOAD CELL AG5 C3 SH 5e SPCL	5 kg	1 g	R1
803760	LOAD CELL AG10 C3 SH 5e SPCL	10 kg	2 g	R1
803761	LOAD CELL AG15 C3 SH 5e SPCL	15 kg	3 g	R1
803762	LOAD CELL AG20 C3 SH 5e SPCL	20 kg	4 g	R1
803763	LOAD CELL AG30 C3 SH 5e SPCL	30 kg	6 g	R1
803776	LOAD CELL AG50 C3 SH 5e SPCL	50 kg	10 g	R1
Options:				
850203	OPTIONAL PROTECTIVE COATING			R1
SP/OL	ATEX TEST OR MARKING FOR AFTERSALES LOAD CELLS: Consult us			
850278	FACTORY MUTUAL MARKING FOR SCAIME LOAD CELLS IN HAZARDOUS AREAS			R2
Accessories:				
803744	"240" ADAPTOR FOR AG			R1
803769	STAINLESS STEEL COVER FOR SPEEDCELL			R1

FS: rated capacity / v_{min.} = minimal interval (according to cert. OIML R601) / C.E. = Combined error in % of FS / DC = Code per back

F30X

10 kg ... 200 kg

- FOR SPARE PART ONLY



Dimensions en mm

+ Excit.: Red | + Sign.: Black | - Sign.: Blue | - Excit.: White



Construction: stainless steel
Protection: stainless steel bellow welded sealed to IP68
Signal for FS: 2 mV/V ±0.1 %, approved OIML C3
Combined error: ±0.017 %FS
Impedance (in/out): 385 Ω ±20 / 350 Ω ±5
Compensated temperature range: -10 ... +40°C
Cable/length: 4 shielded wires / 3 m
Warranty: 3 years

Replace: SCAIME F60X C3 5e

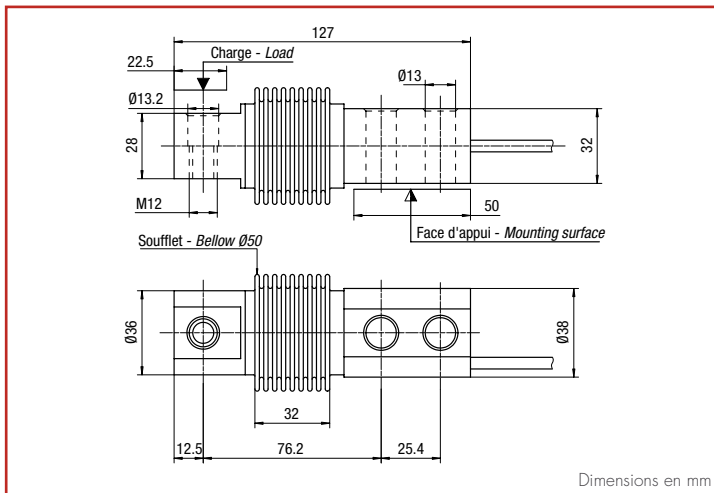
P/N	Designation	FS	v _{min.}	DC
402500	LOAD CELL F15X5 C1.5 CH 3e3	5 kg	1.5 g	R1
Approved versions OIML C3, Y = 5 000				
402400	LOAD CELL F30X10 C3 CH 5e	10 kg	2 g	R1
402410	LOAD CELL F30X20 C3 CH 5e	20 kg	4 g	R1
402420	LOAD CELL F30X50 C3 CH 5e	50 kg	10 g	R1
402430	LOAD CELL F30X100 C3 CH 5e	100 kg	20 g	R1
402440	LOAD CELL F30X200 C3 CH 5e	200 kg	40 g	R1

FS: rated capacity / v min = minimal interval (according to cert. OIML R60) / C.E. = Combined error in % of FS / DC = Code put back

F60X 2T

0.5 t ... 2 t

- FOR SPARE PART ONLY



Dimensions en mm

+ Excit.: Red | + Sign.: Black | - Sign.: Blue | - Excit.: White



Signal at FS: 2 mV/V $\pm 0.1\%$
 Combined error: $\pm 0.017\%$ FS
 Impedance (in/out): $385\ \Omega \pm 20$ / $350\ \Omega \pm 5$
 Compensated temperature range: $-10 \dots +40^\circ\text{C}$
 Overload limit: 150 % E_{max} (max.: 200 %)
 Cable/length: 4 shielded wires / 5 m
 Warranty: 3 years

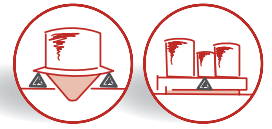
Replaces: Télémécanique SM3PX, Master K FFX

P/N	Designation	FS	v _{min.}	DC
Approved versions OIML C3, Y = 5 000				
402503	LOAD CELL F60X0.5t C3 CH 5e	500 kg	100 g	R1
402504	LOAD CELL F60X1t C3 CH 5e	1 000 kg	200 g	R1
402505	LOAD CELL F60X2t C3 CH 5e	2 000 kg	400 g	R1
Approved versions OIML C3, Y = 10 000				
402516	LOAD CELL F60X0.5t C3 CH 10e	500 kg	50 g	R1
402517	LOAD CELL F60X1t C3 CH 10e	1 000 kg	100 g	R1
402518	LOAD CELL F60X2t C3 CH 10e	2 000 kg	200 g	R1
Options:				
SP/OL	ATEX TEST OR MARKING FOR AFTERSALES LOAD CELLS: Consult us			
850278	FACTORY MUTUAL MARKING FOR SCAIME LOAD CELLS IN HAZARDOUS AREAS			
Related products:				
LOAD FOOT LFC 2t				
STABIFLEX F & FX 2 t				

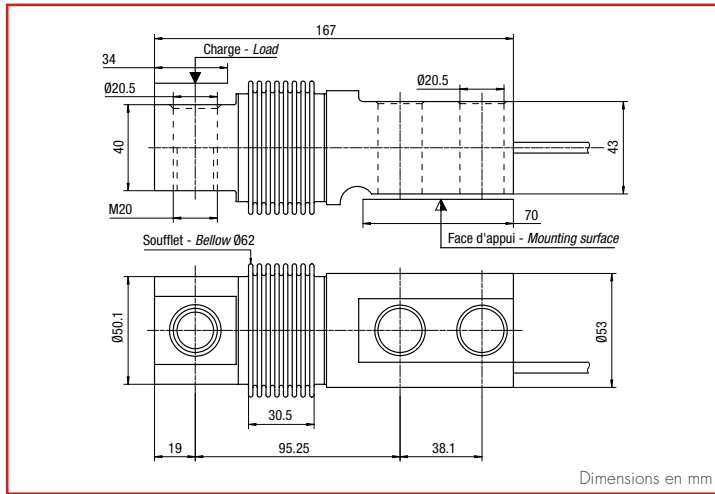
FS: rated capacity / v min = minimal interval (according to cert. OIML R60) / C.E. = Combined error in % of FS / DC = Code put back

F60X 5T

5 t



- FOR SPARE PART ONLY



+ Excit.: Red | + Sign.: Black | - Sign.: Blue | - Excit.: White



Signal at FS: 2 mV/V ±10 %
 Combined error: ±0.017 %FS
 Impedance (in/out): 385 Ω ±20 / 350 Ω ±5
 Compensated temperature range: -10 ... +40°C
 Overload limit: 150 %Emax (max.: 200 %)
 Cable/length: 4 shielded wires / 5 m
 Warranty: 3 years

Replaces: Télémécanique SM3PX, Master K FFX

P/N	Designation	FS	v _{min.}	DC
402506	Approved version OIML C3, Y = 5 000 LOAD CELL F60X5t C3 5e	5 000 kg	1 kg	R1
402519	Approved version OIML C3, Y = 10 000 LOAD CELL F60X5t C3 10e	5 000 kg	500 g	R1
SP/OL	Options: ATEX TEST OR MARKING FOR AFTERSALES LOAD CELLS: Consult us			
850278	FACTORY MUTUAL MARKING FOR SCAIME LOAD CELLS IN HAZARDOUS AREAS			R2
	Related products: LOAD FOOT LFC 5t STABIFLEX F & FX 5 t			

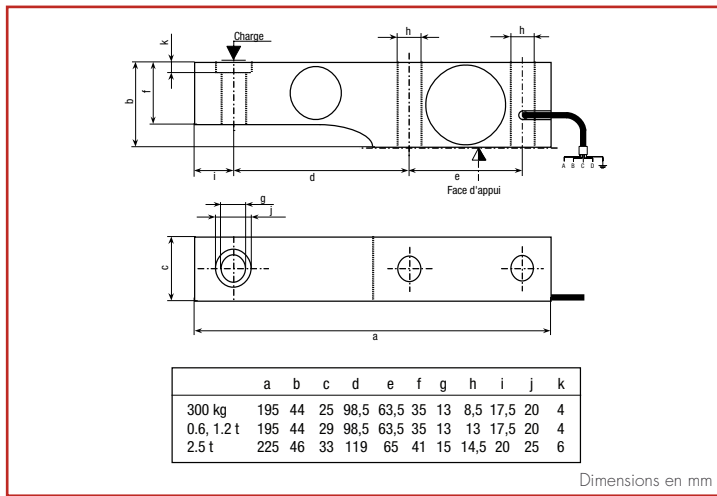
FS: rated capacity / v_{min.} = minimal interval (according to cert. OIML R60) / C.E. = Combined error in % of FS / DC = Code per back

S30D / S30X

300 kg ... 2.5 t



- FOR SPARE PART ONLY



Construction: aluminum (D) or steel (X)
Protection: rubber or welded seal
Signal for FS: 2 mV/V $\pm 1\%$
Combined error: $\pm 0.017\%$ FS, approved OIML C3
Impedance (in/out): $385 \Omega \pm 20$ / $350 \Omega \pm 5$
Compensated temperature range: -10 ... +40°C
Cable/length: 4 shielded wires / 5 m
Warranty: S30D = 1 year, S30X = 3 years

+ Excit.: Red | + Sign.: Black | - Sign.: Blue | - Excit.: White

Replace: Précia CIA3000 (shorter screws)

P/N	Designation	FS	V _{min.}	DC
VOID	LOAD CELL S30D300 C3 NH 6e	300 kg	50 g	
VOID	LOAD CELL S30D600 C3 NH 6e	600 kg	100 g	
Approved versions OIML C3, Y = 6 000				
430290	LOAD CELL S30X300 C3 CH 6e	300 kg	50 g	R2
430220	LOAD CELL S30X600 C3 CH 6e	600 kg	100 g	R2
430230	LOAD CELL S30X1200 C3 CH 6e	1 200 kg	200 g	R2
430240	LOAD CELL S30X2500 C3 CH 6e	2 500 kg	415 g	R2

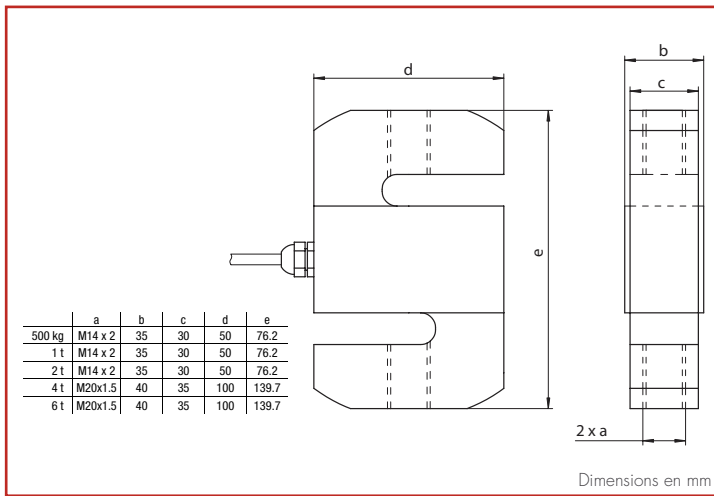
FS: rated capacity / v min = minimal interval (according to cert. OIML R60) / C.E. = Combined error in % of FS / DC = Code put back

SD25X

500 kg ... 6 t



- FOR SPARE PART ONLY



see data sheet in our website

Signal at FS: 1.2 mV/V ± 1 %
 Combined error: ±0.02 %FS
 Impedance (in/out): 1 100 Ω ±20 / 1 000 Ω ±10
 Compensated temperature range: -10 ... +40°C
 Overload limit: 150 %E_{max} (max.: 200 %)
 Cable/length: 6 shielded wires / 10 m
 Warranty: 1 year

Replaces: Sensortronics 60050, RT 9363, HBM RSCB, CAS SBA SS

P/N	Designation	FS	v _{min.}	DC
Approved versions OIML C2.5, Y = 5 000				
430300	LOAD CELL SD25X0.5t C2.5 SH 5e	0.5 t	100 g	R1
430310	LOAD CELL SD25X1t C2.5 SH 5e	1 t	200 g	R1
430320	LOAD CELL SD25X2t C2.5 SH 5e	2 t	400 g	R1
430330	LOAD CELL SD25X4t C2.5 SH 5e	4 t	800 g	R1
430340	LOAD CELL SD25X6t C2.5 SH 5e	6 t	1.2 kg	R1
Option:				
850278	FACTORY MUTUAL MARKING FOR SCAIME LOAD CELLS IN HAZARDOUS AREAS			R2
Related product:				
	LOAD CELL SD25X-BT			

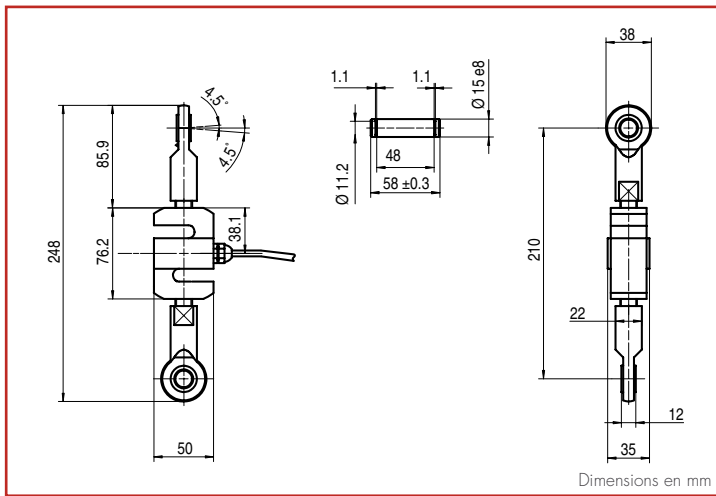
FS: rated capacity / v min = minimal interval (according to cert. OIML R60) / C.E. = Combined error in % of FS / DC = Code per block

SD25X-BT

500 kg ... 6 t



- FOR SPARE PART ONLY



Signal at FS: 1.2 mV/V ± 1 %
 Combined error: ±0.02 %FS
 Impedance (in/out): 1 100 Ω ±20 / 1 000 Ω ±5
 Compensated temperature range: -10 ... +40°C
 Overload limit: 150 %Emax (max.: 200 %)
 Cable/length: 6 shielded wires / 10 m
 Warranty: 1 year
 This load cell is delivered with its 2 rod ends pre-mounted in factory

Replaces: Sensortronics 60050, RT 9363, HBM RSCB, CAS SBA SS

P/N	Designation	FS	v _{min.}	DC
Approved versions OIML C2.5, Y = 5 000				
430305	LOAD CELL SD25X0.5t C2.5 SH 5e BT (with rod ends)	0.5 t	100 g	R1
430315	LOAD CELL SD25X1t C2.5 SH 5e BT (with rod ends)	1 t	200 g	R1
430325	LOAD CELL SD25X2t C2.5 SH 5e BT (with rod ends)	2 t	400 g	R1
430335	LOAD CELL SD25X4t C2.5 SH 5e BT (with rod ends)	4 t	800 g	R1
430345	LOAD CELL SD25X6t C2.5 SH 5e BT (with rod ends)	6 t	1.2 kg	R1
Option:				
850278	FACTORY MUTUAL MARKING FOR SCAIME LOAD CELLS IN HAZARDOUS AREAS			R2

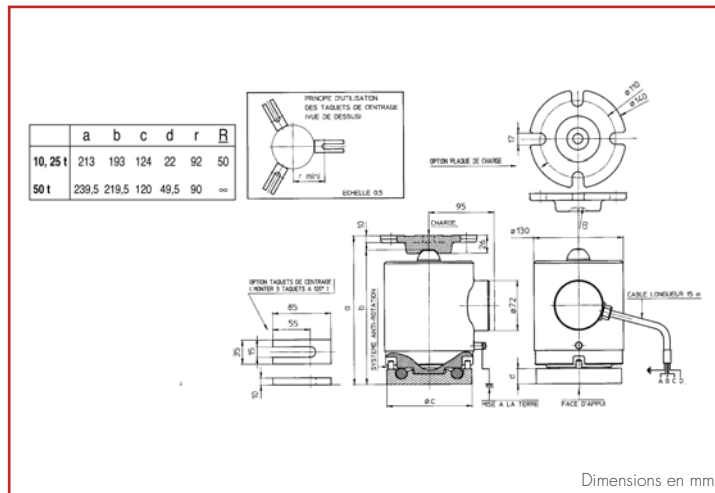
FS: rated capacity / v min = minimal interval (according to cert. OIML R60) / C.E. = Combined error in % of FS / DC = Code per block

C50ANX

10 t ... 50 t



- FOR SPARE PART ONLY



Construction: stainless steel
Protection: welded sealed, IP68
Signal for FS: 1 mV/V ±0.1 %
Combined error: ±0.017 %FS
Impedance (in/out): 815 Ω ±20 / 700 Ω ±5
Compensated temperature range: -10 ... +40°C
Overload limit: 150 %Emax (max.: 200 %)
Cable/length: 4 shielded wires / 15 m
Warranty: 3 years

+ Excit.: Red | + Sign.: White | - Sign.: Yellow | - Excit.: Blue

Replaces: Testut-Trayvou C50A et C50B, Marter-K CP50

P/N	Designation	FS	v _{min}	DC
Approved versions OIML C3, Y = 5 000				
421361	LOAD CELL C50ANX10t C3 CH 5e	10 t	2 kg	R2
421371	LOAD CELL C50ANX25t C3 CH 5e	25 t	5 kg	R2
421501	LOAD CELL C50ANX50t C3 CH 5e	50 t	10 kg	R2
Approved version OIML C3, Y = 10 000				
421364	LOAD CELL C50X20t C3 CH 10e	20 t	2 kg	R2
Accessories:				
805003	CENTERING CLAMP FOR C50			R2
203317	TOP PLATE FOR C50 10 ... 25t			R2
203318	TOP PLATE FOR C50 50t			R2

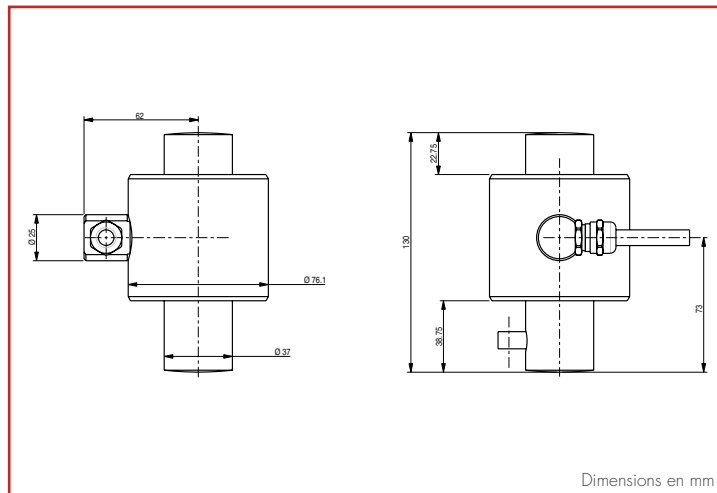
FS: rated capacity / v_{min} = minimal interval (according to cert. OIML R60) / C.E. = Combined error in % of FS / DC = Code put back

CA40X 60T

5 t ... 60 t



- FOR SPARE PART ONLY



Signal at FS: 2 mV/V
 Combined error: $\pm 0.017\%$ FS
 Impedance (in/out): $815 \Omega \pm 20 / 700 \Omega \pm 5$
 Compensated temperature range: $-10 \dots +40^\circ\text{C}$
 Overload limit: 150 %Emax (max.: 200 %)
 Cable/length: 4 shielded wires / 15 m
 Warranty: 3 years

+ Excit.: Red | + Sign.: White | - Sign.: Yellow | - Excit.: Blue

Replaces: HBM C16, GWT PR6201 (lower profile: 300 mm)

P/N	Designation	FS	v _{min.}	DC
Approved versions OIML C3, Y = 10 000				
421453	LOAD CELL CA40X5t C3 CH 10e	5 t	500 g	R1
421458	LOAD CELL CA40X10t C3 CH 10e	10 t	1 kg	R1
421463	LOAD CELL CA40X20t C3 CH 10e	20 t	2 kg	R1
421473	LOAD CELL CA40X40t C3 CH 10e	40 t	4 kg	R1
421478	LOAD CELL CA40X60t C3 CH 10e	60 t	6 kg	R1
Options:				
SP/OL	ATEX TEST OR MARKING FOR AFTERSALES LOAD CELLS: Consult us			
850278	FACTORY MUTUAL MARKING FOR SCAIME LOAD CELLS IN HAZARDOUS AREAS			R2
Accessories:				
803790	STEEL PLATES KIT FOR CA40X 5-60t (includes 2 plates and 3 excentric clamps)			R2
803780	STAINLESS STEEL PLATES KIT FOR CA40X (to be used in STABICAN assembly)			R2
803775	DUMMY LOAD CELL CA40X 5 ... 60t (requires top and bottom plates of CA40X)			R2
Related products:				
	COMPRESSION KIT STABICAN,			
	FIXED BEARING STABICAN			

FS: rated capacity / v min = minimal interval (according to cert. OIML R60) / C.E. = Combined error in % of FS / DC = Code per back

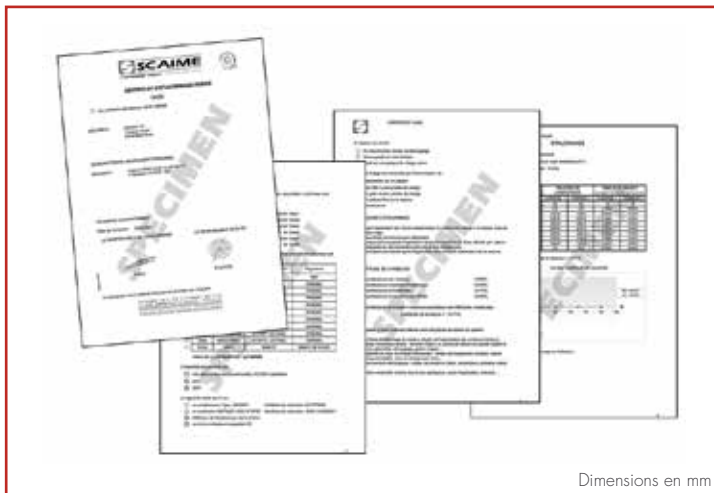


Services

CALIBRATION

of a weighing chain

- Mostly used in case of weighing systems to be installed on sites where calibration operation is not possible (heavy duty silos) or for which a high accuracy is requested
- Not available for "legal for trade applications"
- Calibration means connected to the national standards
- Guarantee of procedures certified under ISO9001 system



Calibration of a weighing chain:

- from 0-500 g to 0-6 t in tension (per load cell)
- from 0-500 g to 0-20 t in compression (per load cell)
- corner adjustment available up to 20 t (per load cell)
- measurement uncertainty: $< \pm 0.02 \%FS$

Calibration of force measurement system:

- from 0-5 N to 0-1 000 kN in tension
- from 0-5 N to 0-5 000 kN in compression
- measurement uncertainty: $< \pm 0.1 \%FS$

P/N	Designation	FS	v _{min.}	DC
	5 points calibration, 2 x loading / unloading + calibration report Carried out in tension (max. 6 t) or compression (max. 20 t)			
850020	Calibration 1 load cell F.S. = 1 kg ... 200 kg			R5
850000	Calibration 1 load cell F.S. = > 200 kg ... 5 t			R5
850010	Calibration 1 load cell F.S. = > 5 t ... 20 t			R5
	Adjustment + 5 points calibration, 2 x loading / unloading + calibration report Carried out in tension (max. 6 t) or compression (max. 20 t)			
850080	Adjustment + calibration 1 load cell F.S. = 1 kg ... 200 kg			R5
850060	Adjustment + calibration 1 load cell F.S. = > 200 kg ... 5 t			R5
850070	Adjustment + calibration 1 load cell F.S. = > 5 t ... 20 t			R5
	Adjustment + 5 points calibration, 2 x loading / unloading + calibration report Electronics and junction box adjustment + calibration + calibration report			
850085	Adjustment + calibration weighing chain 2 ... 4 load cells F.S. = 1 kg ... 200 kg			R5
850065	Adjustment + calibration weighing chain 2 ... 4 load cells F.S. = > 200 kg ... 5 t			R5
850075	Adjustment + calibration weighing chain 2 ... 4 load cells F.S. = > 5 t ... 20 t			R5
850181	Electrical adjustment of an indicator/transmitter with simulator			R5
	Options:			
	Extra cost for any additional measurement point			
	Extra cost for indicator/transmitter not from the SCAIME range			
	Calibration for torque, force, pressure, displacement sensors: Consult us			

FS: rated capacity / v_{min.} = minimal interval (according to cert. OIML R60) / C.E. = Combined error in % of FS / DC = Code put back

SERVICE

on site

- Load cells, kits and electronics installation support
- Measurement chains commissioning
- Consulting and training
- Implementation of our electronics and software's



Dimensions en mm

To proceed with the commissioning of your installation, SCAIME can intervene directly to your premises. The skills of our technical team allow us to work on your projects and problems of measurement with guaranteed success.

P/N	Designation	FS	v _{min.}	DC
850185	STANDARD FEE FOR ON-SITE SERVICES (transportation/hosting costs to be added) (transportation/hosting costs to be added)			R6

FS: rated capacity / v_{min.} = minimal interval (according to cert. OIML R60) / C.E. = Combined error in % of FS / DC = Code per back

GENERAL TERMS OF SALE

Unless otherwise agreed amongst the parties, these conditions shall apply to all our transactions, regardless of the information stated on the orders sent to us.

An order shall only be accepted after an acknowledgement of receipt of the order is issued. Our prices are established on the basis of the economic conditions on the date of their issue. After the validation period stated in our quote, prices are subject to amendment.

Place of performance shall be 74100 JUVIGNY – FRANCE.

1. CARRIAGE & PACKAGING

The packaging and transportation costs are calculated on the basis of the transport company costs in force and in accordance with the services requested (please contact us).

2. TRANSPORTATION CLAUSE

Except otherwise specified, our goods are shipped FCA Annemasse. Regardless of the method of transport and payment, our goods are shipped at the addressee's own risks, who is required to express all necessary reservations with the transport companies and to enforce its right of compensation. Reservations regarding the products must be notified within eight days of receipt of the goods.

3. PAYMENT

The products shall be billed on delivery by bank transfer payable 30 days end of month, barring any other specific agreement. Except specific agreement based on financial enquiry, the first order from a new client shall be paid on order.

No discount shall apply to early payments. In the event of the failure to make payment by the agreed due date, the seller is authorized to suspend any delivery.

In the case of specific products or studies, an interim payment of the 30% of the total, excluding VAT, of the quote, is payable by bank transfer on the date set by us in accordance with the pro forma date. The delivery period shall take effect from the receipt of said interim payment.

4. DELIVERY PERIOD

Our delivery periods are given as a guide.

They apply to the deliveries after leaving our sites, regardless of the planned method of transport.

5. CREDIT LINE

Prior to all deliveries, we reserve the right to limit the outstanding amount per client. Such limit shall generally be mentioned in our price offers and confirmed upon request. In the event that this limit is exceeded, we reserve the right to cease deliveries without any penalty.

6. DELAY PENALTIES

Following the French law 2008-776 dated August 4th 2008, any late payments compared with the contractual terms shall result in a compensation payable in accordance to Article L 441-6 of the French Code de Commerce, calculated on the basis of three times the rate of the legal interest added to a standard fee for recovery costs of 40 EUR. The penalty invoices shall be taken into account in the calculation of the outstanding amounts authorized at the date of their issue and shall be due upon mere request by us.

7. GUARANTEE

As the buyer buys at his own risks, the seller shall not be liable for any guarantee if the possession of the buyer is interfered with by the actions of a third party. The seller shall not be required to refund the price.

Unless specifically agreed in a separate agreement, our goods are guaranteed for one year with effect from the initial delivery against any fault, or for three years for certain ranges of products specified by our company.

This guarantee applies at our sites, the equipment requiring to be returned carriage paid.

Our guarantee is limited to the bringing into compliance or exchange of the equipment to the exclusion of any indemnity, including any loss of usage as a result of the unavailability of the equipment during the period of repair.

For any repairs which are outside the guarantee period, a quote shall be given in advance and they shall only be performed if agreed by the client.

The company shall not under any circumstances accept debit notes issued by the buyer corresponding to the value of returned equipment.

8. DUTIES AND TAXES

The prices stated are exclusive of any state or other government tax now or hereinafter imposed on the production, storage, sale and transportation.

Our invoices are subject to French VAT at the rate in force on the date of billing if delivery is requested on the French territory.

9. RETENTION OF TITLE

Our goods are delivered with a reservation regarding retention of title to the buyer. For any agreement made between the parties, reference to the sales terms shall imply acceptance of the retention of title clause, even if it is not expressly stated in the agreement.

Pursuant to French legislation in force, this retention of title of goods is subject the full payment of the respective bill, including, where applicable, bank charges and legal costs.

The buyer shall, within the framework of the normal activities of its company, have the right to sell to its clients the equipment bought under retention of title provided it informs the sub-buyer that the goods are subject to a retention of title clause and that the principal seller may claim the payment or return from it if the price is not paid to it on the date set. The submission of a bill of exchange shall only constitute payment when amount really collected by the bank.

It is forbidden to make any changes to the goods. Should the buyer contravene this stipulation, the seller shall, after sending a formal notice by ordinary post, be authorized to reclaim the goods still in stock.

The risks connected with the goods shall be transferred to the buyer upon delivery of the item and throughout the term of the retention of title to the benefit of the seller. The buyer undertakes to insure the goods in favor of the appropriate beneficiary against all the risks that they may incur and cause from the point of their delivery.

In order to identify the goods, where applicable, the buyer must follow the individualization procedures used for the delivery. Such conditions shall be stated in the future agreements made between the parties.

10. FORCE MAJEURE

War, riots, fire, strikes, accidents of any type, and in general all the costs of a sufficiently serious nature occurring at our factories or those of our suppliers, as well the inability to receive our raw materials or to make our deliveries as a result of transport difficulties or any other comparable event shall give rise to exemption in the event of force majeure and shall suspend the performance; the suspension period shall be added to the fixed period initially stipulated.

11. SETTLEMENT OF DISPUTES

Any possible disputes fall within the exclusive jurisdiction of the Tribunal de Commerce [Commercial Court] of Thonon-les-Bains (74) even in the event of more than one defendant and a claim under the guarantee.



SCAIME SAS - 294, RUE GEORGES CHARPAK - CS 50501 - 74105 ANNEMASSE CEDEX - FRANCE

Headquarter: Technosite Altéa - 294, Rue Georges Charpak - 74100 JUVIGNY - FRANCE

Tél. : +33 (0)4 50 87 78 64 - Fax : +33 (0)4 50 87 78 46 - info@scaime.com - www.scaime.com

Download all our datasheets and brochures on our website...

