

# 3/2 Valve Series 343 ND 4, G 1/8

Mechanical and manual actuation



## Technical Data

Valve type	Poppet valve
Working pressure	-1 to 10 bar
Flow at 6 bar and $\Delta p$ (pressure drop) 1 bar	Qn 300 NI/min
C-value	1.0
Temperature range	-20° C to +70° C
Pressure medium	Air, lubricated or non-lubricated

Material	Valve body	Brass
	Control device	See respective valve
	Seals	Oil resistant rubber



## Technical Information

The valves can be connected either normally closed or normally open.

Code No.	Symbol	Figure	Control device	Control device material	Control force/Torque	Weight [kg]	Code no.
		1	Manual push button	Plastic button sealed with rubber bellows	47 N	0,230	343 001 000 0
		2	Mechanical push button	Hardened steel button sealed with rubber bellows	47 N	0,230	343 002 000 0
		3	Handle	Impact resistant plastic	0,29 Nm	0,280	343 003 000 0
		4	Handle	Impact resistant plastic	0,18 Nm	0,280	343 004 000 0
		5	Roller	Zinc alloy arm. Acetal plastic roller runs on a stainless axle.	0,29 Nm	0,310	343 005 000 0
		6	Roller, one control direction	Zinc alloy arm. Acetal plastic roller runs on a stainless axle.	0,29 Nm	0,310	343 007 000 0
		7	Spring shackle	Zinc alloy spring shackle	0,29 Nm	0,280	343 025 000 0
		8	Spring shackle, one control direction	Zinc alloy spring shackle	0,29 Nm	0,280	343 027 000 0
		9	Roller lever	Steel arm. Acetal plastic roller runs on a stainless axle.	0,29 Nm	0,260	343 028 000 0
		10	Finger lever	Acetal plastic arm. Screws and spindle of stainless steel.	27 N	0,220	343 030 000 0

## Accessories

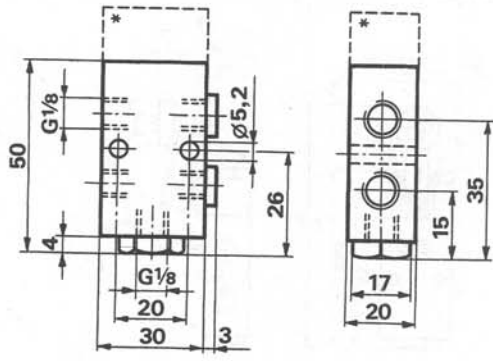
Figure	Description	Weight [kg]	Code no.
11	Mounting brackets*	0,050	343 040 000 0
-	Spare part, seal kit	-	049 040 630 1

\* Material: Galvanized sheet steel.  
Delivered in pairs with screws and nuts.

# 3/2 Valve Series 343 ND 4, G 1/8

Mechanical and manual actuation

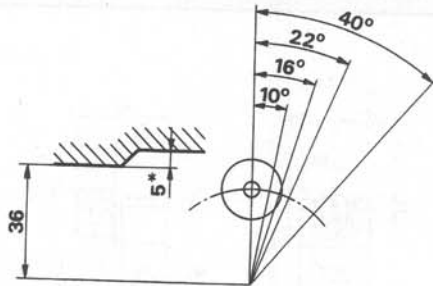
**Common dimensions for all valve types**



\*Alternative control head.

4

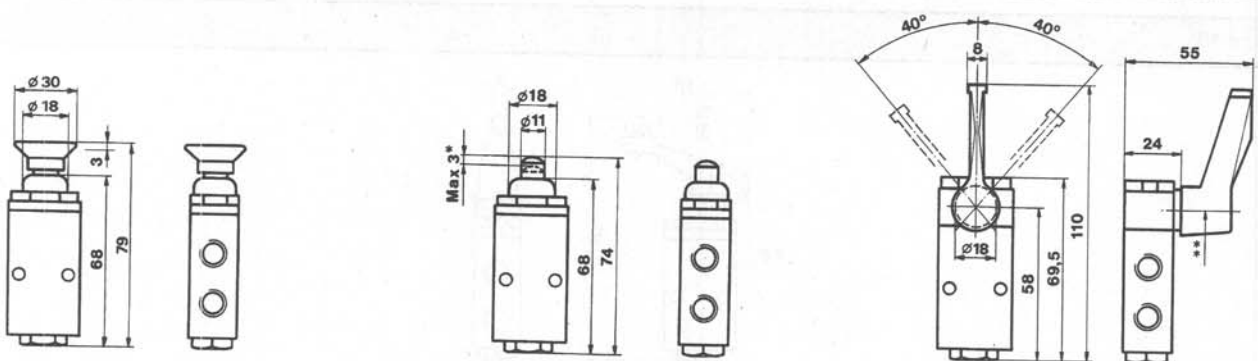
**Valve functions at various degrees of actuation for 343/5, 343/7, 343/25, 343/27 and 343/28**



\*Suitable cam height.

- 0-10° Flow between ports 2 and 3.
- 10-16° All flow paths closed.
- 16-22° Flow between ports 1 and 2. Maximum flow at 22°.
- 40° Maximum discharge.

**Figures 1, 2, and 3**

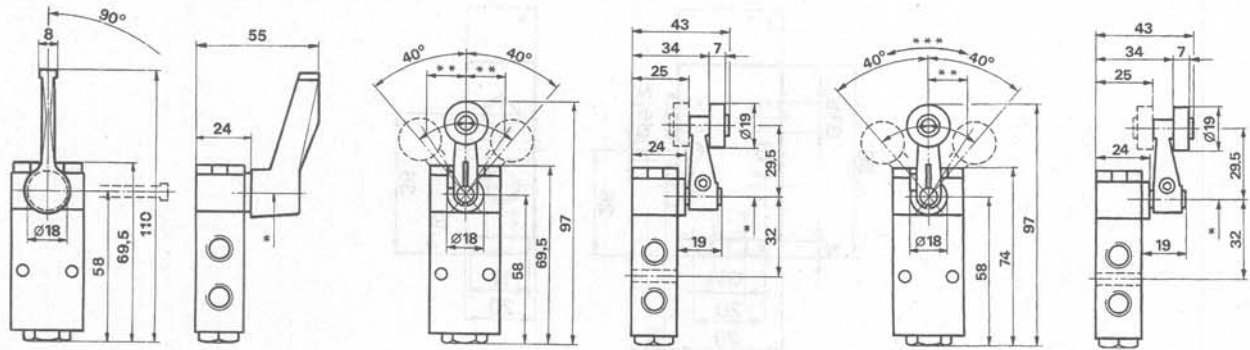


- \* Deflection for maximum flow 1,6 mm.
- \*\* Spline pitch 15°.

# 3/2 Valve Series 343 ND 4, G 1/8

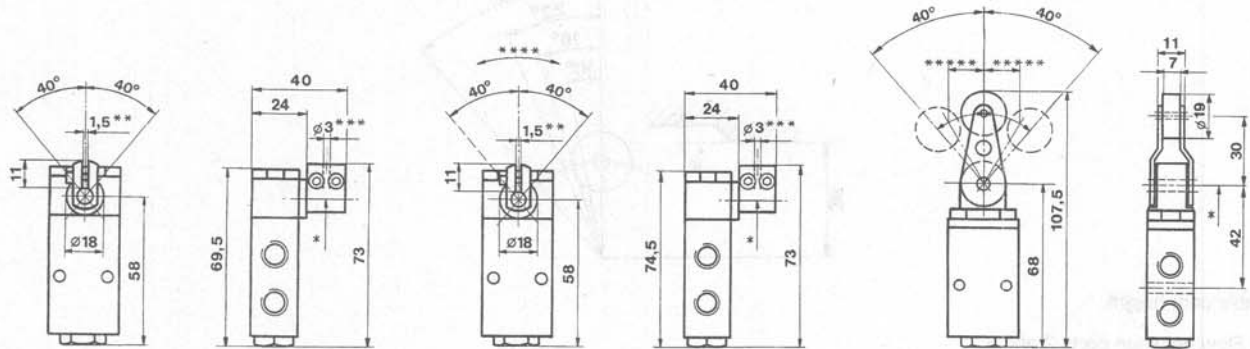
Mechanical and manual actuation

Figures 4, 5 and 6



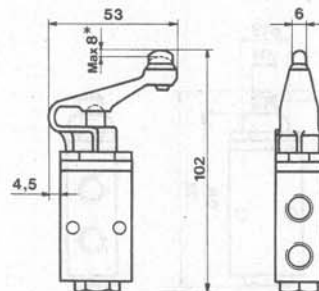
- \* Spline pitch 15°.
- \*\* Suitable deflection 15 mm.
- \*\*\* Signal right, free travel left.

Figures 7, 8 and 9



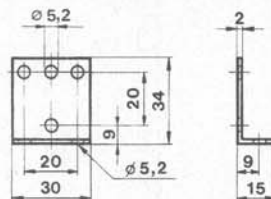
- \* Spline pitch 30°.
- \*\* For leaf spring.
- \*\*\* For cord.
- \*\*\*\* Signal right, free travel left
- \*\*\*\*\* Suitable deflection 15 mm

Figure 10



- \* Deflection for maximum flow 4,5 mm.

Accessories, figure 11



# 4/2 and 4/3 Valve Type 018, ND4, G1/8

Products

4/2, manual actuation, bistable

See page 4.28

4/3, manual actuation

See page 4.29

