

AC1-2W

110 x 53 x 75 mm



Two channel
universal Controller,
ON/OFF or PID

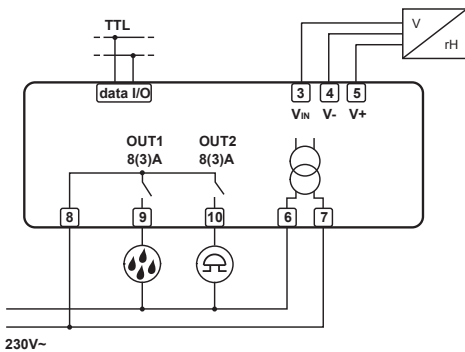
Main Features

- Wall-mount controller
- Runs on mains power supply
- PID with autotuning or ON/OFF control
- Input for 0÷1V, PTC/NTC10K
- 0.1 / 1°C or 1°F resolution
- Selectable Refrigerating/Heating (Dehumidifying/Humidifying) control
- Absolute or relative temperature alarms
- ON/OFF button on front
- Connectivity to LAE TAB supervisory systems

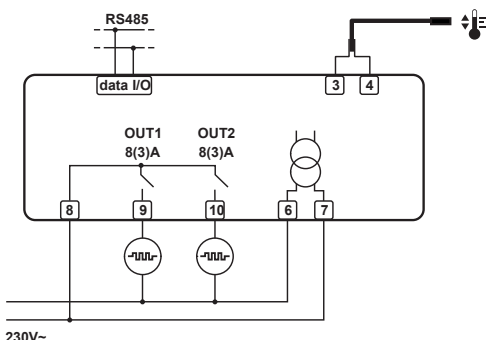
Applications

Temperature: control of small cold stores, heating systems, bains-marie, ovens, laboratory equipment.

Humidity: control of greenhouses, seasoning cells, cold rooms, air-conditioned rooms.



AC1-2WAQ2RE-A



AC1-2WTQ2RE-B

AC1-2W series

Functions		AC1-2WT...	AC1-2WA...
Input type	PTC	NTC10K*	0÷1V
Range	-50÷150°C -60÷300°F	-40÷125°C -40÷260°F	Configurable in setup
Accuracy	±0.3°C	±0.3°C	±3mV
Resolution	0.1 / 1°C / 1°F		0.1 / 1
Ambient temperature	-10÷50°C		

[a]-50÷150°C; [b] remaining range.

* The standard NTC10K is the SN4B20P1

	AC1-2W	T	Q	2	R	E	-B
		(1)	(2)	(3)	(4)	(5)	(6)
Pos.	Function	Description					
(1)	Input	A = 0÷1V; T = PTC / NTC10K					
(2)	Connections	Q = Detachable screw terminals					
(3)	Output No.	1 = one; 2 = two					
(4)	Output type	R = relay					
(5)	Supply	E = 230Vac 50/60Hz 50/60Hz 3 W					
(6)	Serial comm.	Nil = no; -A = TTL; -B = RS485					

How to order:

➤ AC1-2WTQ2RE-B (PTC/NTC10K input, detachable screw terminals, 2 relays, 230Vac supply voltage, RS485 port)

➤ AC1-2WAQ2RE-A (0÷1V input, detachable screw terminals, 2 relays, 230Vac/dc supply voltage, TTL port)

➤ In order to know versions available, please consult LAE or our local dealer.