

# RTS151KEY(A) Remote Test Station

3825 Ohio Avenue, St. Charles, Illinois 60174  
1.800.SENSOR2; Fax: 630.377.6495  
www.systemsensor.com

**SPECIFICATIONS**

Dimensions:	4.6" H × 2.75" W × 1.8" D
Weight:	0.24 Lbs.
<b>Power Requirements</b>	
Power LED (Green):	14 – 35 VDC, 12 mA maximum
Alarm LED (Red):	2.8 – 32 VDC, 12 mA maximum
Alarm Response Time:	40 seconds maximum
Temperature:	-10°C to 60°C (14°F to 140°F)
Humidity:	95% relative humidity, noncondensing Max
Listing:	UL, FM, CE

NOTE: RTS151KEY(A) replaces RTS451KEY.

NOTICE: This manual shall be left with the owner/user of this equipment.

NOTE: A test coil is required only for use with D2/DNR/DH400/DH500 models.

For D2 models order part # DCOIL. For DH400/500 models order part #Coil.

**GENERAL INFORMATION**

The System Sensor RTS151KEY(A) is an automatic fire detector accessory designed to test remotely located duct and beam detectors. For 4-wire detectors, the RTS151KEY(A) features a multi-colored LED that alternates between steady green and red. Green indicates power and that the detector board is in place. Red indicates alarm. For 2-wire detectors, the LED will show red for alarm. Consult the detector installation instructions for additional information.

The National Fire Protection Association has published codes, standards, and recommended practices for the installation and use of this product. It is recommended that the installer be familiar with these requirements, with local codes, and any special requirements of the local authority having jurisdiction.

**RTS151 CONTENTS**

- 1 RTS151KEY(A) remote test station
- 1 screw pack (2 mounting screws)
- 2 Keys

**OPERATION**

**Test Function**

Insert the key and turn clockwise to the "TEST" position.

**Alarm Indication**

With the key in the "TEST" position, some time will elapse (40 seconds maximum) depending on the detector type, before the alarm indicating LED will turn red.

**Reset Function**

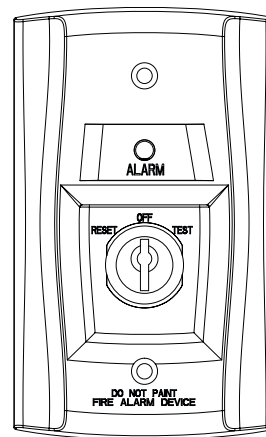
Turn the key counterclockwise to the "RESET" position and hold. The LED should turn off. Then, turn the key back to the "NORMAL" position and remove. The RTS151KEY(A) is capable of resetting only certain models of detectors. Refer to the detector installation instructions for additional information.

**Wiring Instructions**

Consult the appropriate detector installation instructions for the applicable wiring diagram. The RTS151KEY(A) mounts to a single gang box (2 1/2" minimum depth), or directly to the wall or ceiling.

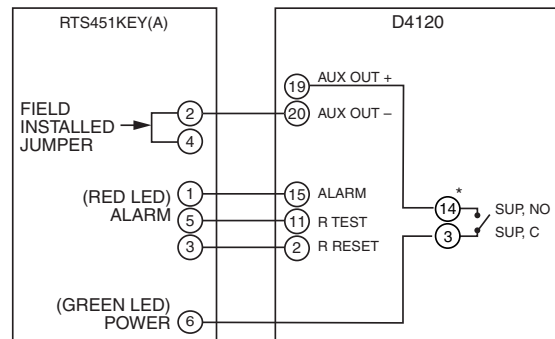
In Canadian applications, the RTS151KEY(A) is intended to be located in the same room as the smoke detector and within 60 feet of the unit.

**FIGURE 1. RTS151KEY(A)**



H0195-01

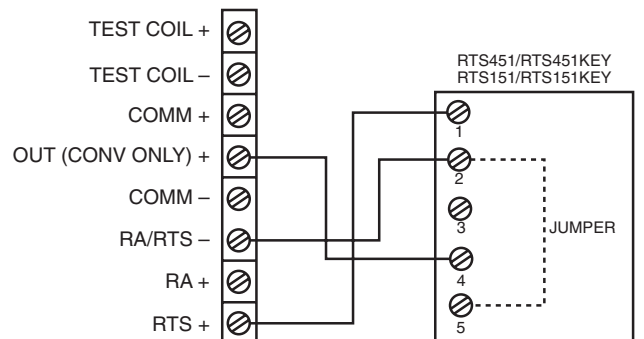
**FIGURE 2: WIRING DIAGRAM FOR RTS151KEY(A) TO D4120 4-WIRE DUCT SMOKE DETECTOR:**



\* Sup. contacts cannot be used if they are wired to control panel.

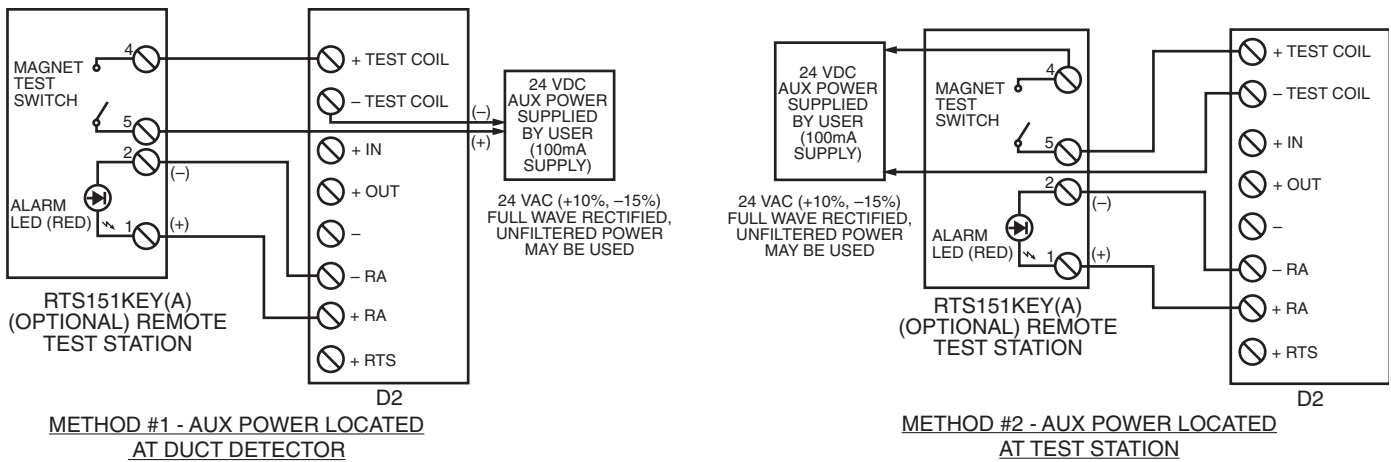
H0582-21

**FIGURE 3: WIRING DIAGRAM FOR RTS151KEY(A) TO DNR 2-WIRE DUCT SMOKE DETECTOR WITH REMOTE TEST CAPABLE HEAD:**



H0633-00

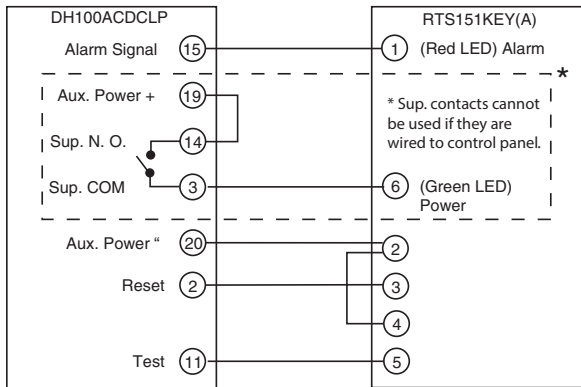
**FIGURE 4: WIRING DIAGRAM FOR RTS151KEY(A) TO D2 2-WIRE DUCT SMOKE DETECTOR:**



**NOTE: THE USE OF THE RTS151KEY(A) REQUIRES THE INSTALLATION OF AN ACCESSORY COIL, DCOIL, SOLD SEPARATELY.**

H0612-12

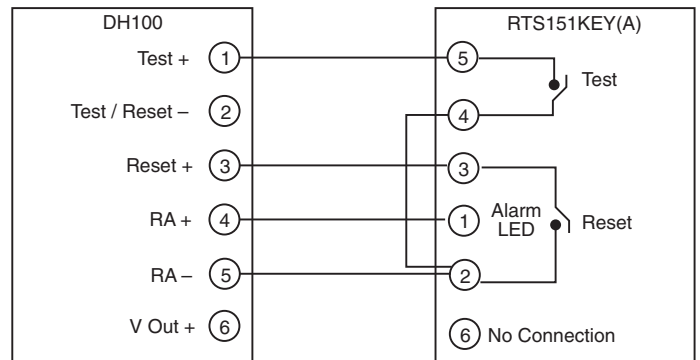
**FIGURE 5. WIRING DIAGRAM FOR RTS151KEY(A) TO DH100ACDC 4-WIRE DUCT SMOKE DETECTOR:**



H0156-08

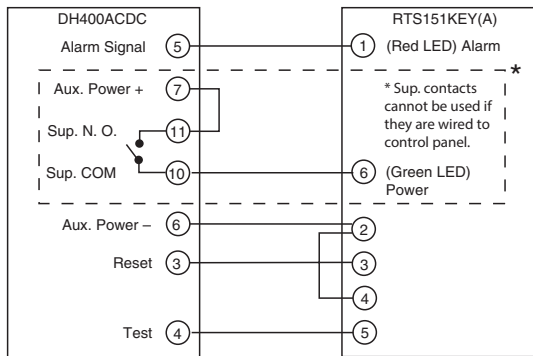
**FIGURE 6. WIRING DIAGRAM FOR RTS151KEY(A) TO DH100 2-WIRE DUCT SMOKE DETECTOR:**

NOTE: Terminal 6 of the RTS151KEY(A) is not used when wired to a 2-wire detector.



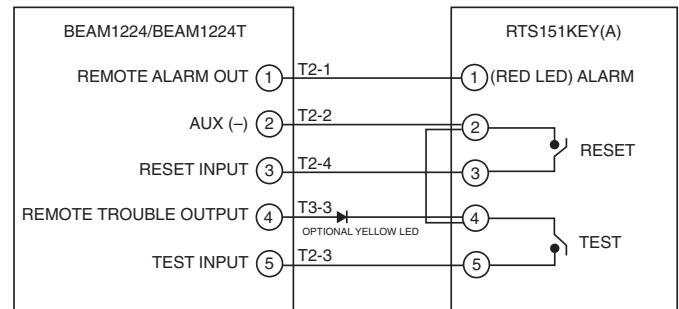
H0193-05

**FIGURE 7. WIRING DIAGRAM FOR RTS151KEY(A) TO DH400ACDC DUCT SMOKE DETECTOR:**



H0156-09

**FIGURE 8. WIRING DIAGRAM FOR RTS151KEY(A) TO BEAM1224/BEAM1224T SMOKE DETECTOR:**



NOTE: RTS151KEY(A) CAN BE USED WITH INTELLIGENT BEAM DETECTOR PRODUCTS. CONSULT INTELLIGENT BEAM DETECTOR MANUAL FOR ADDITIONAL INSTRUCTIONS

H0585-04

**THREE-YEAR LIMITED WARRANTY**

System Sensor warrants its enclosed product to be free from defects in materials and workmanship under normal use and service for a period of three years from date of manufacture. System Sensor makes no other express warranty for the enclosed product. No agent, representative, dealer, or employee of the Company has the authority to increase or alter the obligations or limitations of this Warranty. The Company's obligation of this Warranty shall be limited to the replacement of any part of the product which is found to be defective in materials or workmanship under normal use and service during the three year period commencing with the date of manufacture. After phoning System Sensor's toll free number 800-SENSOR2 (736-7672) for a Return Authorization number,

send defective units postage prepaid to: Honeywell, 12220 Rojas Drive, Suite 700, El Paso TX 79936, USA. Please include a note describing the malfunction and suspected cause of failure. The Company shall not be obligated to replace units which are found to be defective because of damage, unreasonable use, modifications, or alterations occurring after the date of manufacture. In no case shall the Company be liable for any consequential or incidental damages for breach of this or any other Warranty, expressed or implied whatsoever, even if the loss or damage is caused by the Company's negligence or fault. Some states do not allow the exclusion or limitation of incidental or consequential damages, so the above limitation or exclusion may not apply to you. This Warranty gives you specific legal rights, and you may also have other rights which vary from state to state.