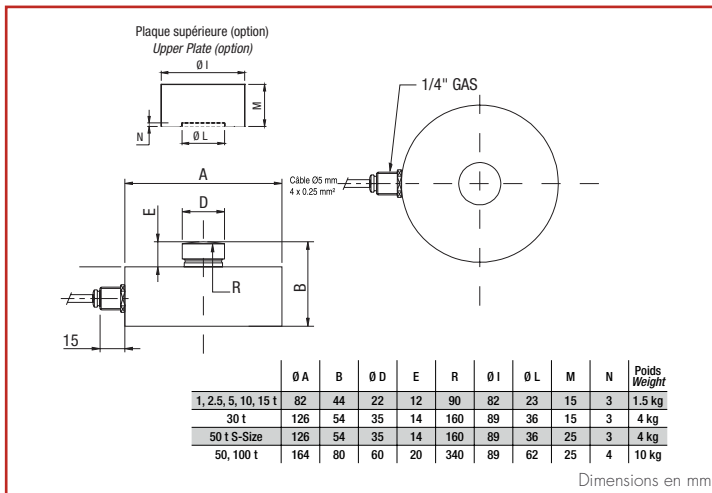


R10X

1 t ... 100 t



- Made of stainless steel hermetically welded IP68
- Spherical load button
- Ideally suited for any industrial weighing application
- High temperature version (+130°C)(HT) on request



Signal at FS: 2 mV/V ±0.2%
 Combined error: ±0.05 %FS (1 000 d)
 Impedance (in/out): 700 Ω ±20 / 700 Ω ±5
 Compensated temperature range: -10 ... +50°C
 Overload limit: 150 %Emax (max.: 300 %)
 Cable/length: 4 shielded wires / 10 m
 Warranty: 3 years

+ Excit.: Red | + Sign.: Green | - Sign.: White | - Excit.: Black

P/N	Designation	FS	C.E.	DC
430595	LOAD CELL R10X 1t	1 t	< ± 0.1 %	R2
430596	LOAD CELL R10X 2.5t	2.5 t	< ± 0.1 %	R2
430597	LOAD CELL R10X 5t	5 t	< ± 0.1 %	R2
430598	LOAD CELL R10X 10t	10 t	< ± 0.1 %	R2
430584	LOAD CELL R10X 15t	15 t	< ± 0.1 %	R2
430585	LOAD CELL R10X 30t	30 t	< ± 0.1 %	R2
430594	LOAD CELL R10X 50t S-SIZE	50 t	< ± 0.1 %	R2
632228	LOAD CELL R10X 50t	50 t	< ± 0.1 %	R2
632229	LOAD CELL R10X 100t	100 t	< ± 0.1 %	R2
Options:				
850203	OPTIONAL PROTECTIVE COATING			R1
SP/OL	OPTIONAL HIGH TEMPERATURE FOR R10X - Service temperature range -20 ... +125°C			R2
850272	"SI" TEST FOR LOAD CELLS ATEX & IECEx - Ⓢ II 1 G/D, Ex ia IIC T6 Ga, Ex ia IIIC T80°C Da, IP6X, -20°C < Ta < +60°C (zone 0/20)			R2
850273	"n" TEST FOR LOAD CELLS ATEX & IECEx - Ⓢ II 3 G, Ex nA IIC T6 Gc, -20°C < Ta < +60°C (zone 2)			R2
850274	"DUST" MARKING FOR LOAD CELL ATEX & IECEx - Ⓢ II 1 D, Ex ia IIIC T125°C Da, IP6X, -20°C < Ta < +60°C (zones 20)			R2
850278	FACTORY MUTUAL MARKING FOR SCAIME LOAD CELLS IN HAZARDOUS AREAS			R2
	"GOSTEx" TEST & MARKING FOR SCAIME LOAD CELLS IN HAZARDOUS AREAS: Consult us			
Related products:				
	SILOKITR, SILOSAFER & RX, PLATES KIT			

FS: rated capacity / v min = minimal interval (according to cert. OIML R60) / C.E. = Combined error in % of FS / DC = Code put back

R10X PLATES KIT

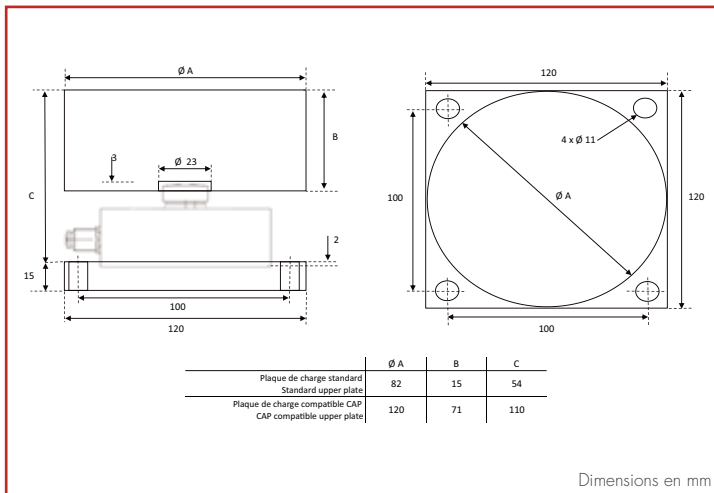
1 t ... 15 t



- Made of zinc plated steel
- Designed for tank weighing
- Same fastening than CAP plates
- Plate and baseplate sold separately
- See R10X for standard R10X plates



Load cell sold separately



For load cell: R10X 1 t ... 15 t

Replace: MasterK CAP

P/N	Designation	FS	v _{min.}	DC
632263	UPPER PLATE R10X 1-15t			R2
632264	UPPER PLATE R10X 30t			R2
720679	UPPER PLATE R10X 50t S-size			R2
632265	UPPER PLATE R10X 50-100t			R2
	Compatible CAP 1-15 t Pesage Promotion			
632271	UPPER PLATE R10X 1-15t TYPE CAP			R2
	Accessory:			
632272	BASE PLATE FOR R10X 1-15t - Compatible with CAP 1-15 t Pesage Promotion			R2

FS: rated capacity / v min = minimal interval (according to cert. OIML R60) / C.E. = Combined error in % of FS / DC = Code per block

SILOKIT-RX

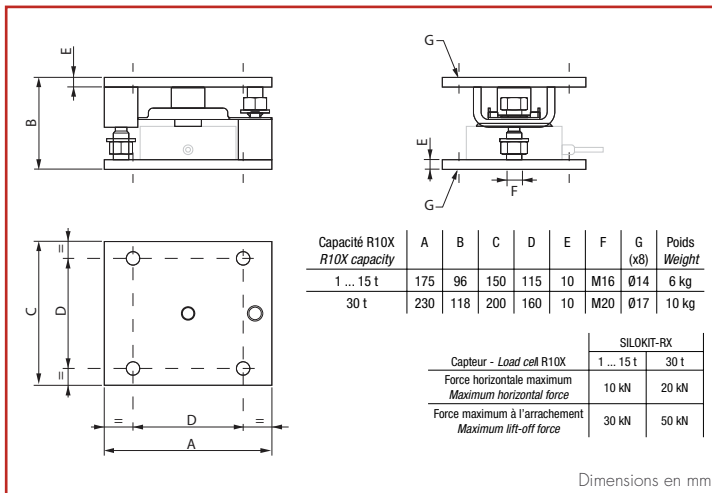
1 t ... 30 t



- Designed for tank or silo weighing
- Made of stainless steel
- Lift-off prevention device included
- Prevention against lateral forces
- Compact design and easy installation



Load cell sold separately



For load cell: R10X 1 ... 30 t

P/N	Designation	FS	v _{min.}	DC
632210	SILOKITR 15t (compression kit including side and lifting stops for R10X 1 ... 15 t)			R2
632212	SILOKITR 30t (compression kit including side and lifting stops for R10X 30 t)			R2

FS: rated capacity / v min = minimal interval (according to cert. OIML R60) / C.E. = Combined error in % of FS / DC = Code p/n back