

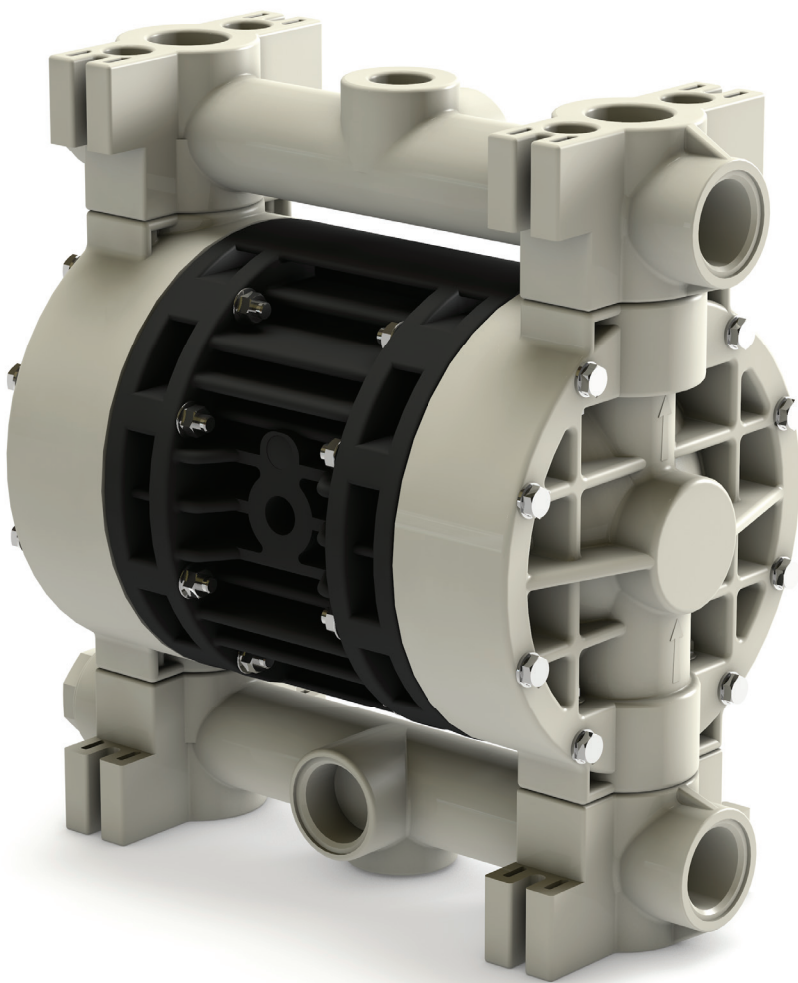
DIAPHRAGM PUMPS


BOXER 150

MADE IN ITALY



- **Made in Italy product**
- **Patented** stall protection pneumatic circuit
- Works with **non**-lubricated air
- **Self priming**
- Runs dry without damage
- Possibility of adjusting the pumping speed
- Versatility of use
- Wide range of materials compatible with the pumped fluid
- Particularly suitable for heavy duty applications
- ATEX zone 1 (*on request*) - ATEX zone 2 standard
- Customisable suction/delivery fitting position (*on request*)
- Available with NPT connections (*on request*)
- Available with clamp / din connections (*on request, only for stainless steel pumps*)
- Diaphragms with "long life" profile
- Diaphragms in various materials
- Suitable for pumping high viscosity fluids
- High performance
- High power and sturdiness
- Continuous operation: YES
- Warranty: 1 year - according to our general conditions of sale
- Spare parts: to identify the spare parts check the illustrations at the end of the operation and maintenance manual



 **STANDARD:** II 3/3 GD c IIB T135°C (zone 2)
CONDUCT: II 2/2 GD c IIB T135°C (zone 1)

Intake/delivery connections G 1" 1/4 f o DN 32 (*) - flow rate 220 l/min

Construction materials PP - PVDF - Alu - AISI 316

(*) NPT connections on request

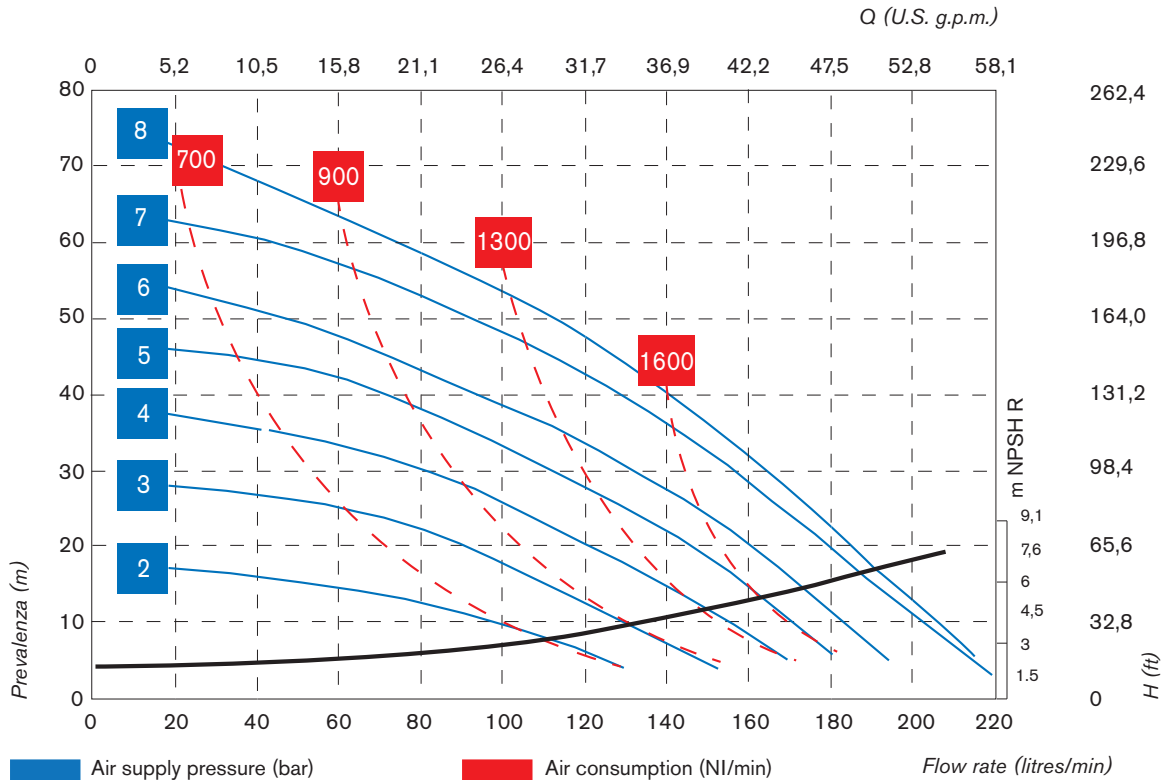


DIAPHRAGM PUMPS

BOXER 150



STANDARD: II 3/3 GD c IIB T135°C (zone 2)
CONDUCT: II 2/2 GD c IIB T135°C (zone 1)



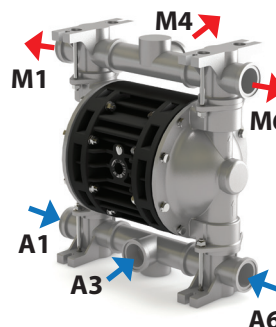
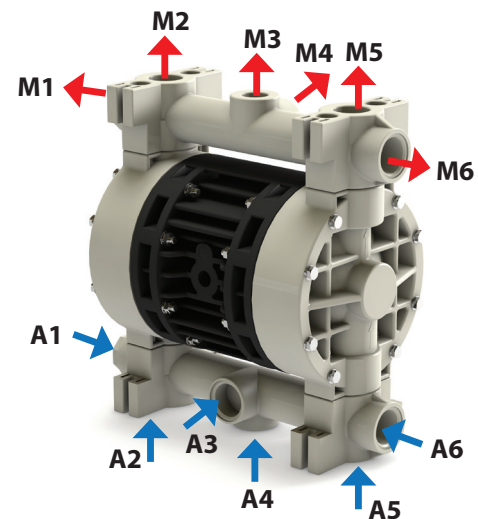
* The curves and performance values refer to pumps with submerged suction and a free delivery outlet with water at 20°C, and vary according to the construction material. ** Attention: average values refer to the various configurations of materials for balls, ball seats and diaphragms.

Guaranteed head/flow rate according to ISO 9906

Intake/delivery connections	G 1" 1/4 f o DN 32 (*)
Air connection	G 1/2" f
Max. flow rate*	220 l/min
Max. air supply pressure	8 bar
Max. head*	80 m
Max. self-priming capacity**	4 m
Max. stored neg. suction	9,5
Max. diameter of passing solids	5 mm
Noise**	75 dB
Displacement per cycle	340 cc
Max. viscosity	40.000 cps

(*) NPT connections on request

Construction materials and net weight	PP	12 Kg	Temp. 3°C min.	65°C max.
	PP+CF	12 Kg	Temp. 3°C min.	65°C max.
	PVDF	14 Kg	Temp. 3°C min.	95°C max.
	Alu	16 Kg	Temp. 3°C min.	95°C max.
	AISI 316	21 Kg	Temp. 3°C min.	95°C max.



BOXER150 (PLASTIC): A1-A2-A3-A4-A5-A6-M1-M2-M3-M4-M5-M6
 BOXER150 (Alu): A1-A2-A3-A4-A5-A6-M1-M2-M3-M4-M5-M6

BOXER150 (AISI 316): A1-A3-A6 - M1-M4-M6

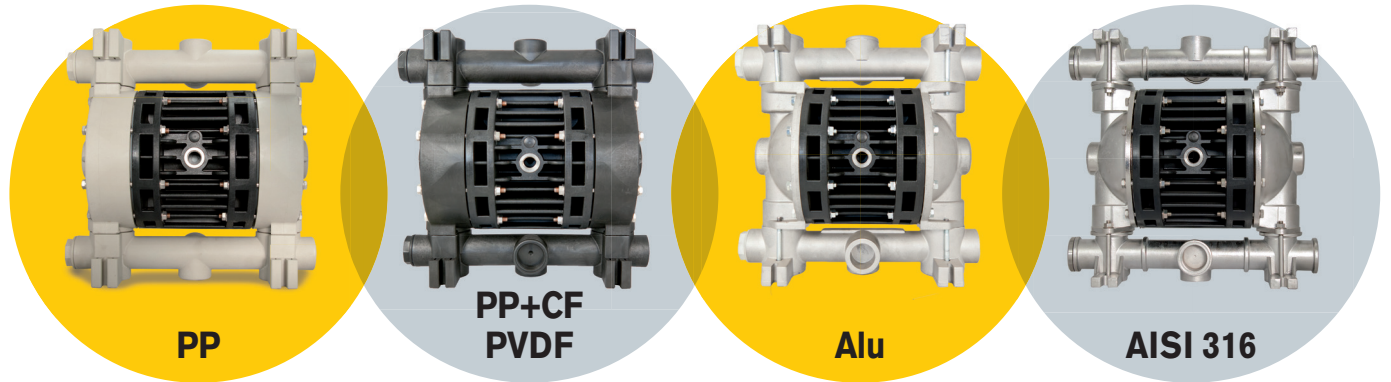
DIAPHRAGM PUMPS

BOXER 150

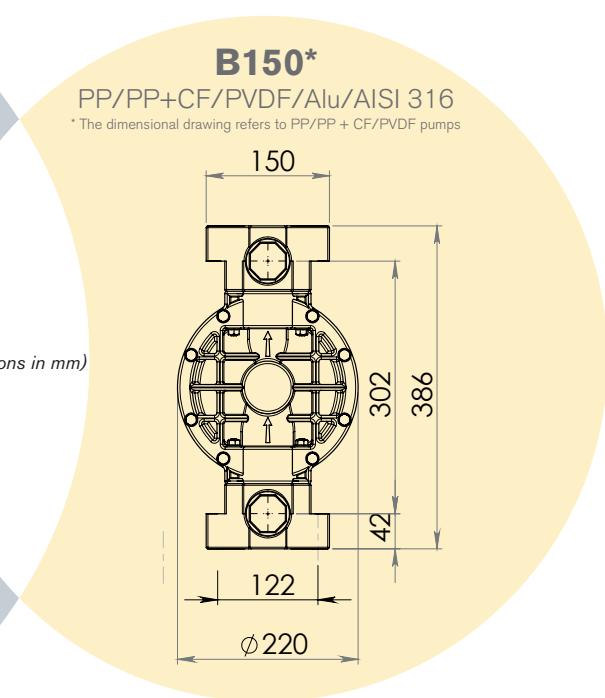
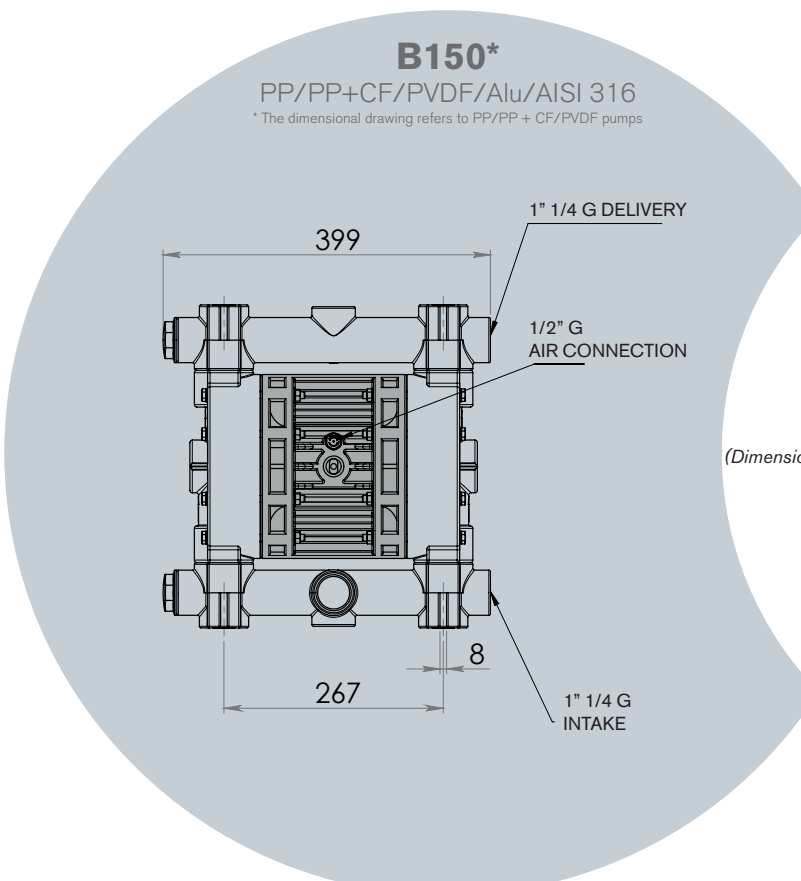
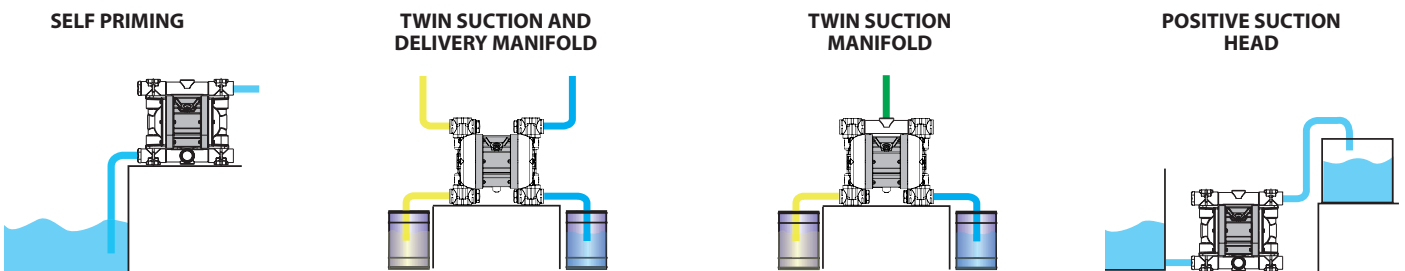


Ex STANDARD: II 3/3 GD c IIB T135°C (zone 2)
 CONDUCT: II 2/2 GD c IIB T135°C (zone 1)

AVAILABLE MATERIALS



INSTALLATIONS



Packaging: cardboard box - 29 x 47 x 46 cm - weight: 1.4 Kg
 (the weight only refers to the packaging without the pump inside).

DIAPHRAGM PUMPS

BOXER 150



Ex STANDARD: II 3/3 GD c IIB T135°C (zone 2)
 CONDUCT: II 2/2 GD c IIB T135°C (zone 1)

BOXER COMPOSITION CODE

ex. **IB150P-HTTPV--**

Internal Exchanger, Boxer 150, body PP, air side diaphragm Hytrel®, fluid side diaphragm PTFE, balls PTFE, ball seats PP, O-Ring Viton®.

I	B150	P	H	T	T	P	V	-	-
INTERNAL EXCHANGER	PUMP MODEL	PUMP BODY	AIR SIDE DIAPHRAGM	FLUID SIDE DIAPHRAGM	BALLS	BALL SEATS	O-RING	TWIN MANIFOLD	CONDUCT VERSION
I	B150 - Boxer 150	P - PP PC - PP + CF FC - PVDF + CF AL - Alu A - AISI 316	H - Hytrel® M - Santoprene® D - EPDM N - NBR	T - PTFE*	T - PTFE A - AISI 316 D - EPDM N - NBR	P - Polypropylene F - PVDF A - AISI 316 R - PPS-V I - HMWHDPE	T - PTFE D - EPDM V - Viton® N - NBR	X	C

*) Cover diaphragms (only on Hytrel® and Santoprene® diaphragms) cannot be fitted individually.

APPLICATIONS

