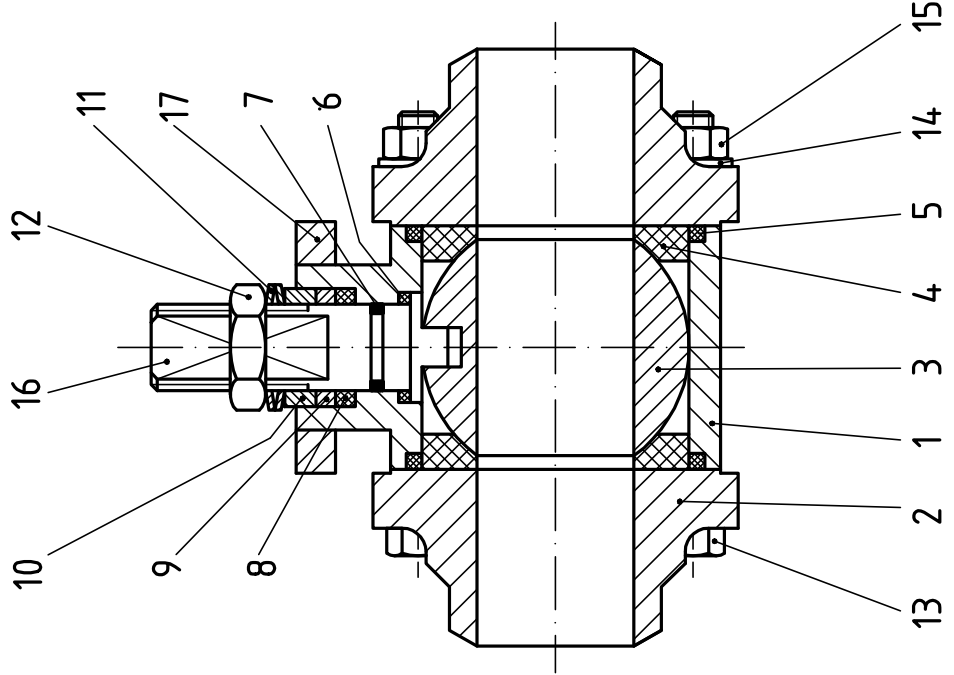


F E D C B A

1 2 3 4 5 6 7 8



Alstom-drawing-no.
 HTCT 620327
 HTCT 438548 ①
 HTCT 624641 ②
 HTCT 435414 ③



DRAWING-N°:
 9.030.100.007.00.03
 DOCU-N°:
 0303792-03-GB-02-2D
 EDP-N°:
 030.18100020.3792

2002	DATE	NAME	MATERIAL
DRAWN	05.02	Gayk	Page 2/2
CHECKED			
NORM			
SCALE			
-			
DIMENSIONS WITHOUT TOLERANCES ACC. TO:			
EN ISO 724 1/14			
EN ISO 724 1/4			
EN 1468			
REPLACEMENT FOR: HTCT 427060			
REPLACED BY:			

Ball valve EDS-V
 4" (DN100) ANSI150

REVISION	DATE	NAME	N°
1	05.02.08	Wh.	HTCT No. add.
2	07.12.09	Wh.	HTCT624641 add.
3	28.03.13	Wh.	HTCT435414 add.
4			
5			
6			
7			

Test content
 Pressure tests according
 EN 12266-1, P10, P11, P12
 ☉ with material-test certificate EN 10204-3.1

17	1	Mounting plate	Steel
16	1	Stem	Stainless steel
15	6	Nut	Steel
14	6	Disc	Steel
13	6	Tension	Steel
12	1	Nut	Steel
11	2	Spring	Steel
10	1	Thrust collar	Steel
9	1	Ring	Steel
8	1	Stem sealing	PTFE
7	1	O-ring	FPM
6	1	Stem disc	PTFE
5	2	Seal ring	PTFE
4	2	Seal ring	PTFE
3	1	Ball	Stainless steel
2	2	Weld end	Stainless steel ☉
1	1	Body	Stainless steel ☉
Pos. no.	Piece	Part name	Material

F E D C B A

8 7 6 5 4 3 2 1