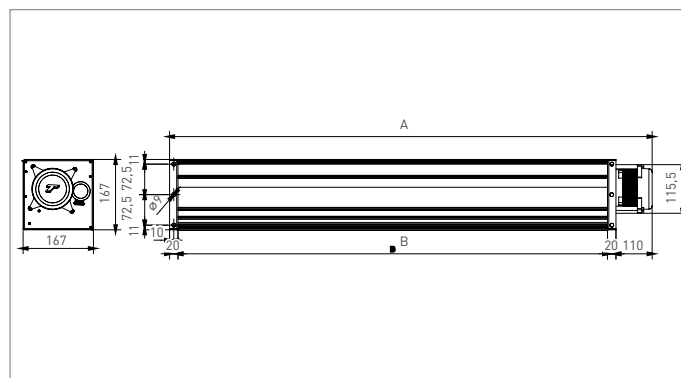
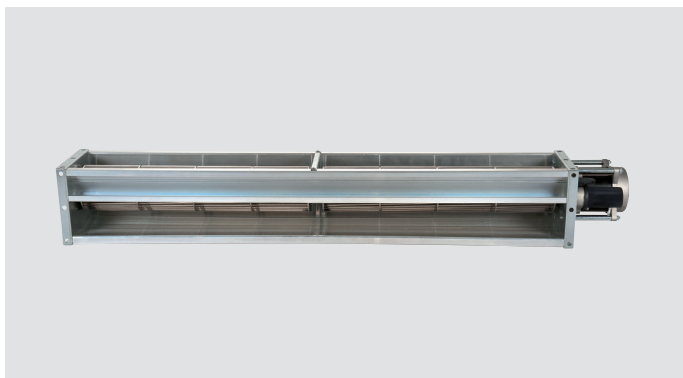


TG1000 JUMBOFAN



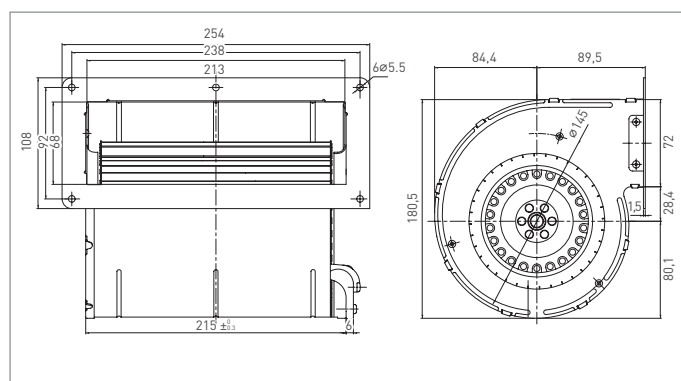
TG1000

TECHNICAL SPECIFICATIONS / SPECIFICHE TECNICHE

| MODEL MODELLO | ∅ (MM) | A (MM) | B (MM) | POWER/CURRENT POTENZA/CORRENTE (W) / (A) | POWER ABSORBED POTENZA ASSORBITA (W) | FREQUENCY FREQUENZA (Hz) | SPEED VELOCITÀ (RPM) | AIR FLOW PORTATA (M ³ /H) |
|------------------|-----------|-----------|-----------|--|--|--------------------------------|----------------------------|--|
| TGA1000 | 100 | 1020 | 1060 | 230 VAC / 1,18 A | 191 | 50 | 1460 | 2340 |
| TG01000 | 100 | 1020 | 1060 | 230 VAC / 1,18 A | 191 | 50 | 1460 | 2340 |

Insulation class / Classe d'isolamento: B

CENTRIFUGAL FAN VENTILATORE CENTRIFUGO



CTFG130FL-2F

TECHNICAL SPECIFICATIONS / SPECIFICHE TECNICHE

| MODEL MODELLO | ∅ (MM) | POWER/CURRENT POTENZA/CORRENTE (W) / (A) | POWER ABSORBED POTENZA ASSORBITA (W) | FREQUENCY FREQUENZA (Hz) | SPEED VELOCITÀ (RPM) | AIR FLOW PORTATA (M ³ /H) |
|------------------|-----------|--|--|--------------------------------|----------------------------|--|
| CTFG130FL-2F | 130 | 230 VAC / 0,90 A | 200 | 50 | 1400 | 660 |

Insulation class / Classe d'isolamento: F