

Application data

Products		Coaxial
Area of use		Europe (50 Hz)
Input power	[kW]	1.50
Motor type		HB - Standard asynchronous three-phase motor
Transmission ratio i		3.80 - 3.80

Designation: MR 2I 50 UC2A - 24x200 - 4.1
 Mounting position B3
 HB 90L 4 230.400-50 B5

Coaxial gearmotor catalog E technical data

Transmission ratio i			4.10
Output speed n_2		[min ⁻¹]	344.30
Input speed n_1		[min ⁻¹]	1,410
Input power P_1		[kW]	1.50
Output torque M_2		[N m]	40
Service factor f_s			2.87
Efficiency			0.96
Mass of gearmotor (without motor)		[kg]	12.74
Moment of inertia J_1		[kg m ²]	0.0001
Approximate lubricant quantity		[l]	0.80
ISO viscosity grade (ambient temp. 10-40 °C)		[cSt]	150
Input coupling dimensions		[∅ D x P]	24x200
Nominal data			
Nominal input power P_{N1}		[kW]	4.33
Nominal output power P_{N2}		[kW]	4.16
Nominal output torque M_{N2}		[N m]	115
Maximum output torque M_{2max}		[N m]	231
Gearmotor supplied with oil			
Painting: RAL5010 Blue, C3 ISO 12944-2			
Whole mass (gearmotor + motor)		[kg]	28.74

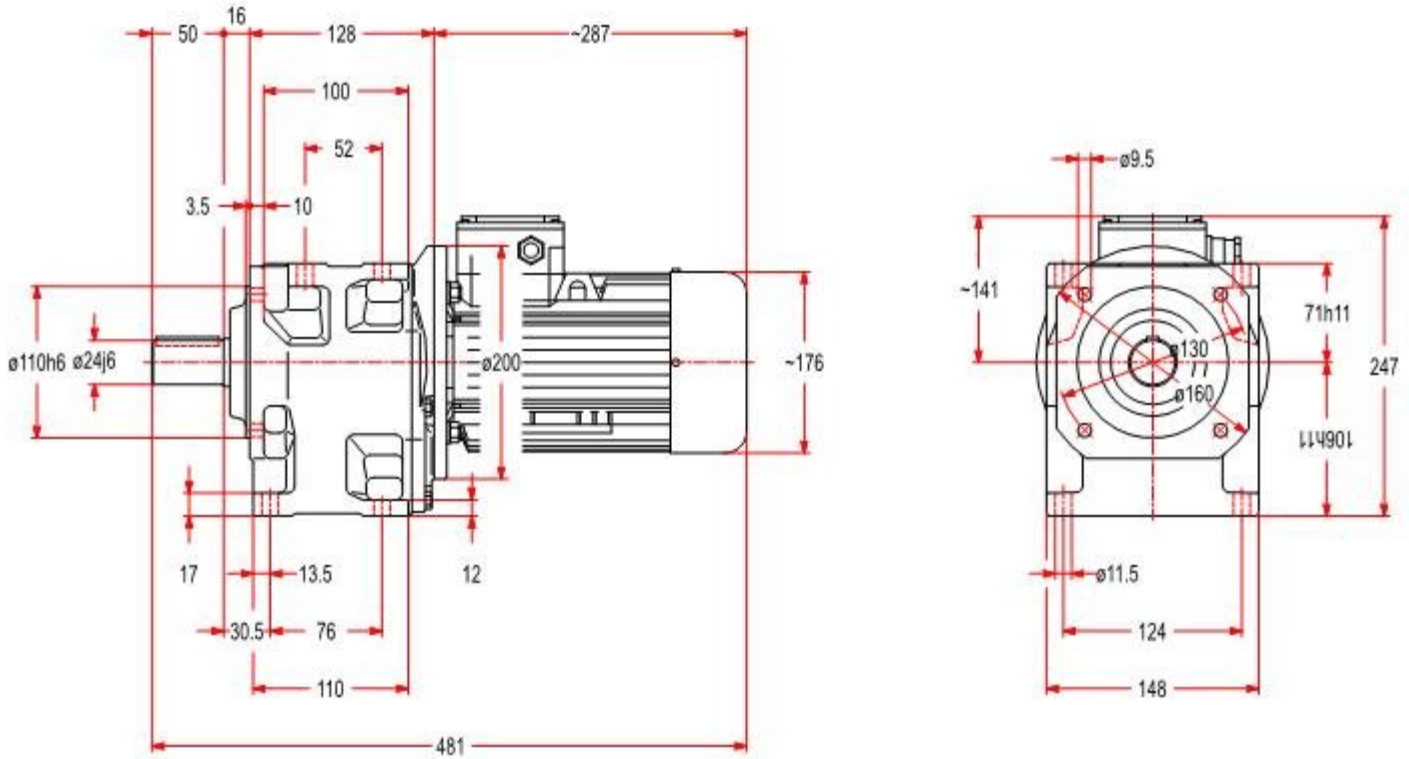
Designation: HB 90L 4 230.400-50 B5

Electric motor technical data TX catalog

Type		HB 90L 4
Coupling dimensions \varnothing D x P		24x200
Power supply	V-Hz	230.400 - 50
Nominal power P_N	[kW]	1.50
Nominal speed n	[min ⁻¹]	1,410
Motor mass	[kg]	16.00
Directive		ErP
Efficiency class		S3 70%
Insulation class		F
Temperature rise class		B
Protection grade		IP 55
Duty cycle		S3 70%
Refrigeration method IC STD		IC411
Synchronous speed	[min ⁻¹]	1,500
Power factor $\cos\phi$		0.710
Moment of inertia J_0	[kg m ²]	0.0034
Efficiency		
100 %		77.20
75 %		79.00
50 %		74.50
Nominal data		
Nominal torque M_N	[N m]	10.20
Nominal starting torque M_S		3.20
Maximum torque M_{max}		3.60
Rated current	[A]	3.90
Starting current ratio		5.20

Painting: RAL5010 Blue, C3 ISO 12944-2

Main dimensions [mm] (for accessories, see following pages)



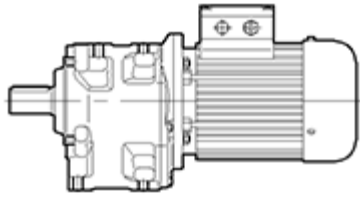
Information

Short bolt M 10 x 30 - Long bolt M 10 x 35
Bolts UNI 5588: M 10

Product liability, application considerations

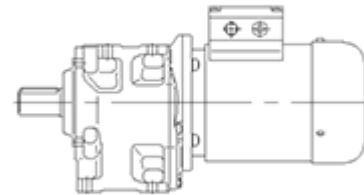
The customer is responsible for the correct selection and application of product in view of its industrial and/or commercial needs, unless the use has been recommended by technical qualified personnel of Rossi, who were duly informed about customer's application purposes. In this case all the necessary data required for the selection shall be communicated exactly and in writing by the customer, stated in the order and confirmed by Rossi. The customer is always responsible for the safety of product applications. Every care has been taken in the drawing up of the catalog to ensure the accuracy of the information contained in this publication, however Rossi can accept no responsibility for any errors, omissions or outdated data. Due to the constant evolution of the state of the art, Rossi reserves the right to make any modification whenever to this publication contents. The responsibility for the product selection is of the customer, excluding different agreements duly legalized in writing and undersigned by the Parties.

Design: UC2A

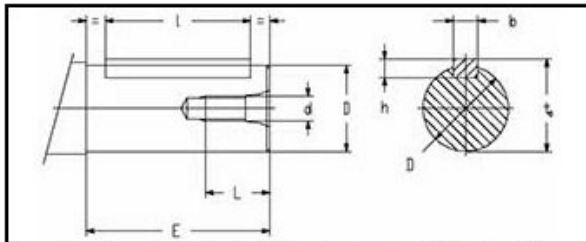


● groove side

Mounting position: B3



Standard low speed shaft



D	E ¹⁾	d	b x h x l ¹⁾	h	L	t ₀
Ø24 j6	50 (36)	M8	8 x 7 x 45 (25)	4	21	27.2

1) Values in brackets are for short shaft end

Terminal box position: TB3

