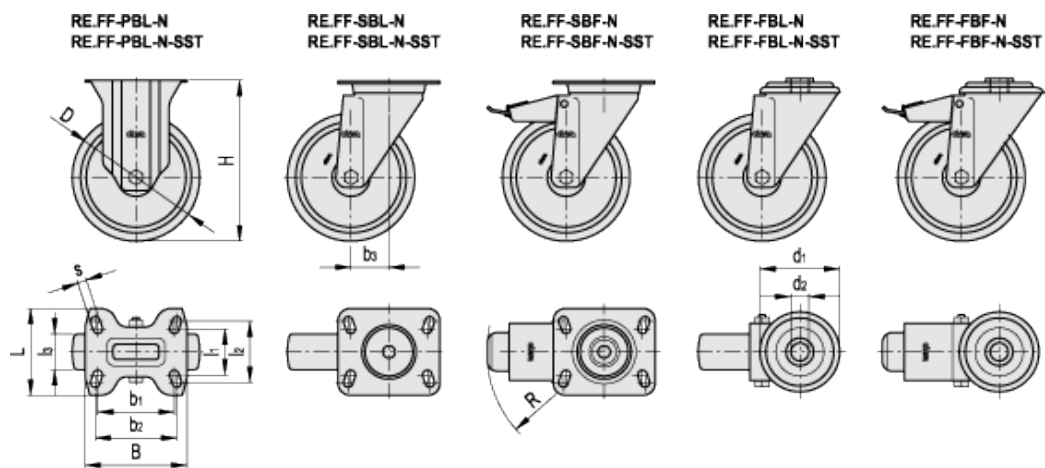


RE.FF-N

Injected polyurethane wheels with steel sheet bracket



INOX
Stainless Steel



technical informations

Covering

Injected polyurethane, hardness 55 Shore D.

Wheel centre body

Polyamide-based technopolymer (PA). Resistant to solvents, oils, greases and other chemical agents.

Hub

Directly made into the centre.

Axle set

Calibrated precision tube. The tube serves as a spacer, is tightened to the bracket with screw and nut to a un predetermined torque value.
The wheel hub rotates onto the tube freely.

Fixed plate bracket

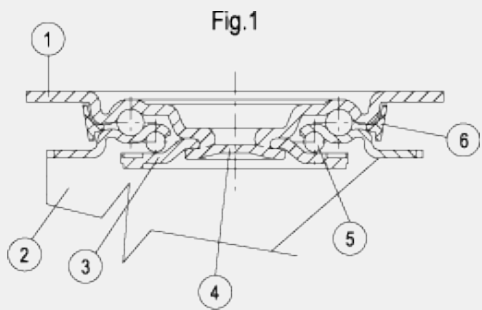
Zinc-plated steel or AISI 304 stainless steel (SST version) sheet, the bracket is designed to withstand loads up to 3000N.

Turning plate bracket

Zinc-plated steel or AISI 304 stainless steel (SST version) sheet, the bracket is designed to withstand loads up to 3000N. The presence of two ball turns and the direct contact between the plate and the ball race ring with built-in pin ensure excellent manoeuvrability and very limited clearance (see fig. 1).

Does not require maintenance. It consists of:

- 1) fitting plate: electrolytically zinc-plated steel or AISI 304 stainless steel sheet;
- 2) fork: electrolytically zinc-plated steel or AISI 304 stainless steel sheet;
- 3) ball race ring: electrolytically zinc-plated steel or AISI 304 stainless steel sheet;
- 4) central pin: incorporated in the plate, cold reflanged;
- 5) rotation system: dual grease-lubricated ring of ball;
- 6) dust seal: RAL 7015 dark grey technopolymer.



Front-actuated brake

Total brake that locks the wheel and bracket rotation.

The optimised dimensions and the retractable pedal ensure minimal space occupied and maximum actuation ease. Hardened carbon steel or stainless steel (SST version) spring.

The trolley must be turned to use the device.

The brake is simple and effective to use: it is actuated and released by a simple action from the top downward at the tip of two separate pedals, thus ensuring the utmost manoeuvring comfort. The braking efficacy may be adjusted with a socket head screw M8.

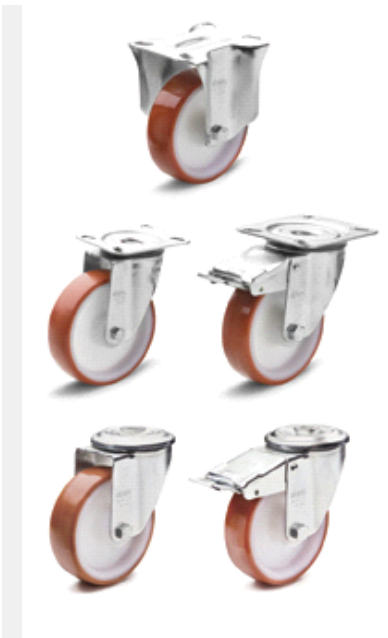
Standard executions

- PBL-N: fixed plate bracket, without brake.
- SBL-N: turning plate bracket, without brake.
- SBF-N: turning plate bracket, with brake.
- FBL-N: turning plate bracket with centre pass-through hole, without brake.
- FBF-N: turning plate bracket and pass-through hole, with brake.

- PBL-N-SST: fixed plate bracket, without brake.
- SBL-N-SST: turning plate bracket, without brake.
- SBF-N-SST: turning plate bracket, with brake.
- FBL-N-SST: turning plate bracket with centre pass-through hole, without brake.
- FBF-N-SST: turning plate bracket and pass-through hole, with brake.

Applications

Excellent rolling resistance and elasticity, good wear and tearing resistance. For further information see [RE.FF](#) wheel.



Standard Elements		Main dimensions														Rolling resistance #	Dynamic carrying capacity #	Weight	
Code	Description	D	l ₃	H	B	L	s	b ₁	l ₁	b ₂	l ₂	b ₃	R	d ₁	d ₂	[N]	[N]	g	
451151	RE.FF-080-PBL-N	80	30	107	100	85	9	75	45	80	60	-	-	-	-	1200	1200	380	
451156	RE.FF-100-PBL-N	100	30	128	100	85	9	75	45	80	60	-	-	-	-	1700	1700	430	
451161	RE.FF-125-PBL-N	125	35	156	100	85	9	75	45	80	60	-	-	-	-	2300	2200	660	
451166	RE.FF-150-PBL-N	150	45	194	140	114	11	105	73	105	85	-	-	-	-	2800	3000	1460	
451051	RE.FF-080-SBL-N	80	30	107	100	85	9	75	45	80	60	39	-	-	-	1200	1200	620	
451056	RE.FF-100-SBL-N	100	30	128	100	85	9	75	45	80	60	35	-	-	-	1700	1700	740	
451061	RE.FF-125-SBL-N	125	35	156	100	85	9	75	45	80	60	37	-	-	-	2300	2200	910	
451066	RE.FF-150-SBL-N	150	45	194	140	110	11	105	73	105	87	56	-	-	-	2800	3000	1830	
451101	RE.FF-080-SBF-N	80	30	107	100	85	9	75	45	80	60	39	120	-	-	1200	1200	810	
451106	RE.FF-100-SBF-N	100	30	128	100	85	9	75	45	80	60	35	120	-	-	1700	1700	890	
451111	RE.FF-125-SBF-N	125	35	156	100	85	9	75	45	80	60	37	120	-	-	2300	2200	1050	
451116	RE.FF-150-SBF-N	150	45	194	140	110	11	105	73	105	87	56	156	-	-	2800	3000	2110	
451171	RE.FF-80-FBL-N	80	30	107	-	-	-	-	-	-	-	-	39	-	73	12	1200	1200	550
451173	RE.FF-100-FBL-N	100	30	128	-	-	-	-	-	-	-	-	35	-	73	12	1700	1700	670
451176	RE.FF-125-FBL-N	125	35	156	-	-	-	-	-	-	-	-	37	-	73	12	2300	2200	850
451179	RE.FF-150-FBL-N	150	45	188	-	-	-	-	-	-	-	-	56	-	102	20	2800	3000	1690
451181	RE.FF-80-FBF-N	80	30	107	-	-	-	-	-	-	-	-	39	120	73	12	1200	1200	730
451183	RE.FF-100-FBF-N	100	30	128	-	-	-	-	-	-	-	-	35	120	73	12	1700	1700	880
451186	RE.FF-125-FBF-N	125	35	156	-	-	-	-	-	-	-	-	37	120	73	12	2300	2200	1000
451189	RE.FF-150-FBF-N	150	45	188	-	-	-	-	-	-	-	-	56	156	102	20	2800	3000	1980

See [Technical Data](#) for rolling resistance and dynamic carrying capacity.

Standard Elements		Main Dimensions														Rolling resistance #	Dynamic carrying capacity #	Weight	
Code	Description	D	l ₃	H	B	L	s	b ₁	l ₁	b ₂	l ₂	b ₃	R	d ₁	d ₂	[N]	[N]	g	
451301	RE.FF-080-PBL-N-SST	80	30	107	100	85	9	75	45	80	60	-	-	-	-	1200	1200	35C	
451306	RE.FF-100-PBL-N-SST	100	30	128	100	85	9	75	45	80	60	-	-	-	-	1700	1700	40C	
451311	RE.FF-125-PBL-N-SST	125	35	156	100	85	9	75	45	80	60	-	-	-	-	2300	2200	64C	
451201	RE.FF-080-SBL-N-SST	80	30	107	100	85	9	75	45	80	60	39	-	-	-	1200	1200	61C	
451206	RE.FF-100-SBL-N-SST	100	30	128	100	85	9	75	45	80	60	35	-	-	-	1700	1700	65C	
451211	RE.FF-125-SBL-N-SST	125	35	156	100	85	9	75	45	80	60	37	-	-	-	2300	2200	81C	
451251	RE.FF-080-SBF-N-SST	80	30	107	100	85	9	75	45	80	60	39	120	-	-	1200	1200	78C	
451256	RE.FF-100-SBF-N-SST	100	30	128	100	85	9	75	45	80	60	35	120	-	-	1700	1700	83C	
451261	RE.FF-125-SBF-N-SST	125	35	156	100	85	9	75	45	80	60	37	120	-	-	2300	2200	95C	
451351	RE.FF-080-FBL-N-SST	80	30	107	-	-	-	-	-	-	-	-	39	-	73	12	1200	1200	55C
451353	RE.FF-100-FBL-N-SST	100	30	128	-	-	-	-	-	-	-	-	35	-	73	12	1700	1700	67C
451356	RE.FF-125-FBL-N-SST	125	35	156	-	-	-	-	-	-	-	-	37	-	73	12	2300	2200	85C
451361	RE.FF-080-FBF-N-SST	80	30	107	-	-	-	-	-	-	-	-	39	120	73	12	1200	1200	55C
451363	RE.FF-100-FBF-N-SST	100	30	128	-	-	-	-	-	-	-	-	35	120	73	12	1700	1700	67C
451366	RE.FF-125-FBF-N-SST	125	35	156	-	-	-	-	-	-	-	-	37	120	73	12	2300	2200	86C

See [Technical Data](#) for rolling resistance and dynamic carrying capacity.



ELESA and GANTER models all rights reserved in accordance with the law. Always mention the source when reproducing our drawings.

STANDARD MACHINE ELEMENTS WORLDWIDE