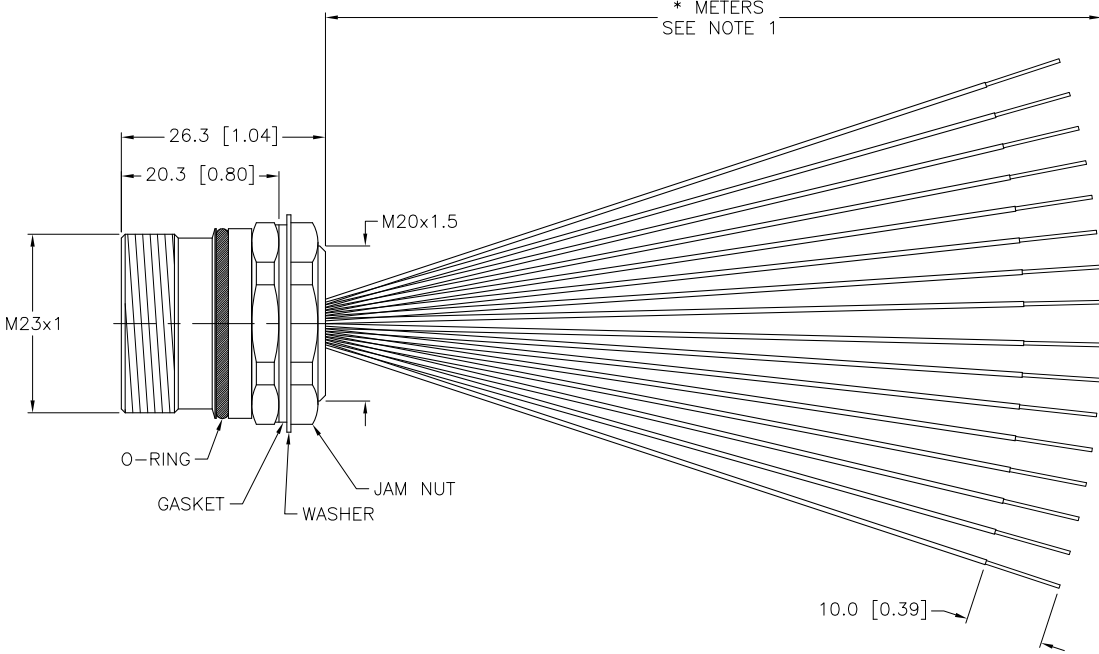
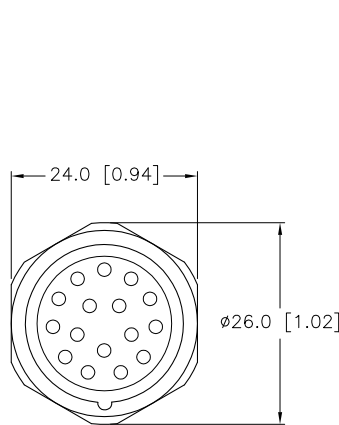


**SPECIFICATIONS**

CONTACT CARRIER MATERIAL/COLOR	NYLON or PBT/GRAY
CONTACT MATERIAL/PLATING	BRASS/GOLD
CONNECTOR HOUSING MATERIAL/FINISH	STAINLESS STEEL/PASSIVATED
O-RING/GASKET MATERIAL	RUBBER (NBR or FPM)
RATED CURRENT [A]	3.0 A
RATED VOLTAGE [V]	300 V
CONDUCTOR INSULATION MATERIAL	PVC
NUMBER OF CONDUCTORS (AWG)	16x22 AWG
TEMPERATURE RANGE	-40°C TO +105°C (-40°F TO +221°F)
PROTECTION CLASS	IEC IP67
MAXIMUM PANEL THICKNESS	3.5 [0.138]



CABLE LENGTH	TOLERANCE
ALL LENGTHS	+ 4% (OR 50mm) OF LENGTH - 0% (OR 0mm) OF LENGTH WHICHEVER IS GREATER
STRIP LENGTH	TOLERANCE
0-7mm	±0.5mm
8-29mm	±1.0mm
30-49mm	±2.0mm
50-69mm	±3.0mm
70-100mm	±4.0mm
OVER 100mm	±5.0mm

**SOURCE DRAWING - FOR REFERENCE ONLY**

NOTES:  
1. "\*" INDICATES LEAD LENGTH IN METERS. CONTACT TURCK TO ORDER SPECIFIC LENGTHS.

RELATED DOCUMENTS 1. 2. 3. 4.	3RD ANGLE PROJECTION	THIS DRAWING IS PROPERTY OF TURCK INC. USE OF THIS DOCUMENT WITHOUT WRITTEN PERMISSION IS PROHIBITED.	 High Technology Sensors and Automation Controls		3000 CAMPUS DRIVE MINNEAPOLIS, MN 55441 1-800-544-7769 (763) 553-7300 (763) 553-0708 fax turck.com
	MATERIAL SEE SPECIFICATIONS		DRFT RWC	DATE 03/02/06	DESCRIPTION CSNFV 16-16-*
FINISH SEE SPECIFICATIONS	ALL DIMENSIONS DISPLAYED ON THIS DRAWING ARE FOR REFERENCE ONLY	UNIT OF MEASUREMENT <b>MILLIMETER [ INCH ]</b>	DSGN	SCALE 1=1.0	IDENTIFICATION NO.
CONTACT TURCK FOR MORE INFORMATION	DO NOT SCALE THIS DRAWING	FILE: 777009567	REV B	SHEET 1 OF 1	

B	UPDATE DRAWING TO M23 STANDARDS, SEE ECO	RWC	06/21/10	31201
REV	DESCRIPTION	BY	DATE	ECO NO.