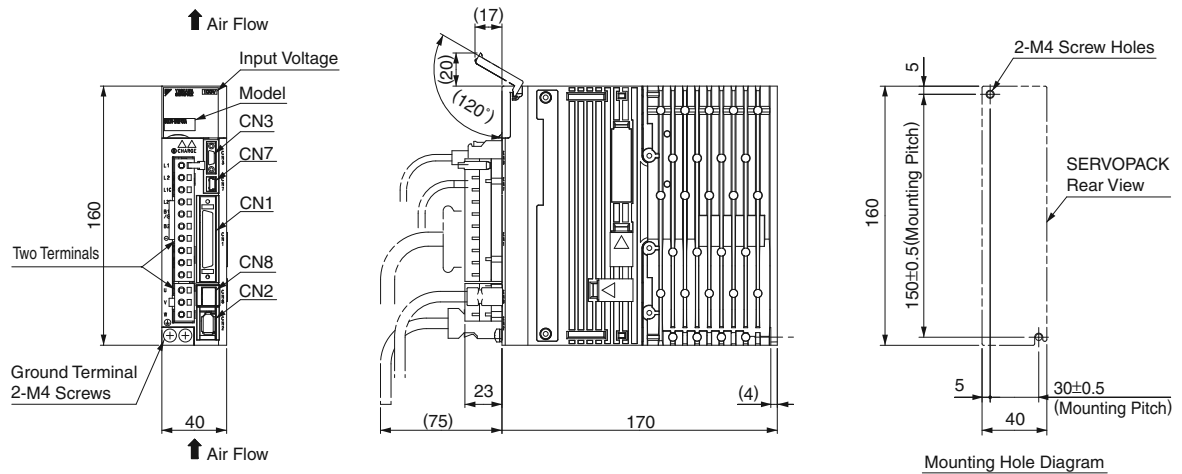


External Dimensions Units: mm

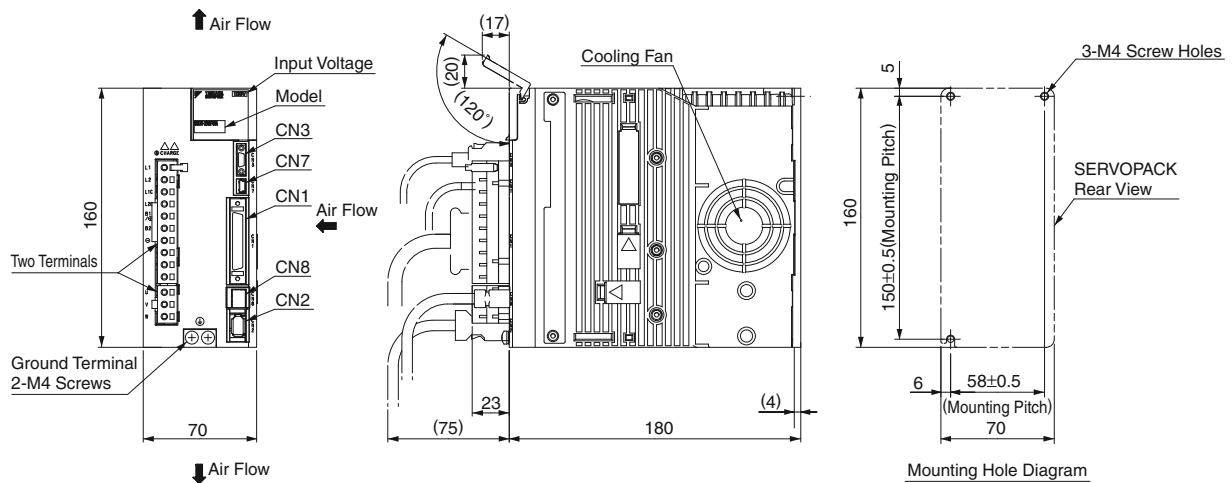
● Base-mounted SERVOPACKs

(1) Single-phase 100 VAC, Model: SGD V-R70F0□A, -R90F0□A, and -2R1F0□A



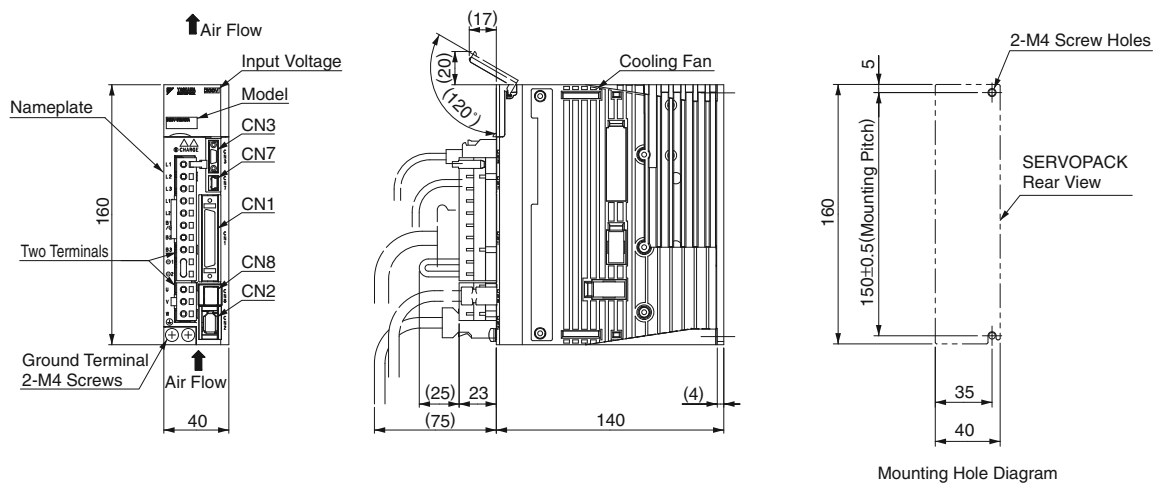
Approx. Mass: 1.1 kg

(2) Single-phase 100 VAC, Model: SGD V-2R8F0□A



Approx. Mass: 1.5 kg

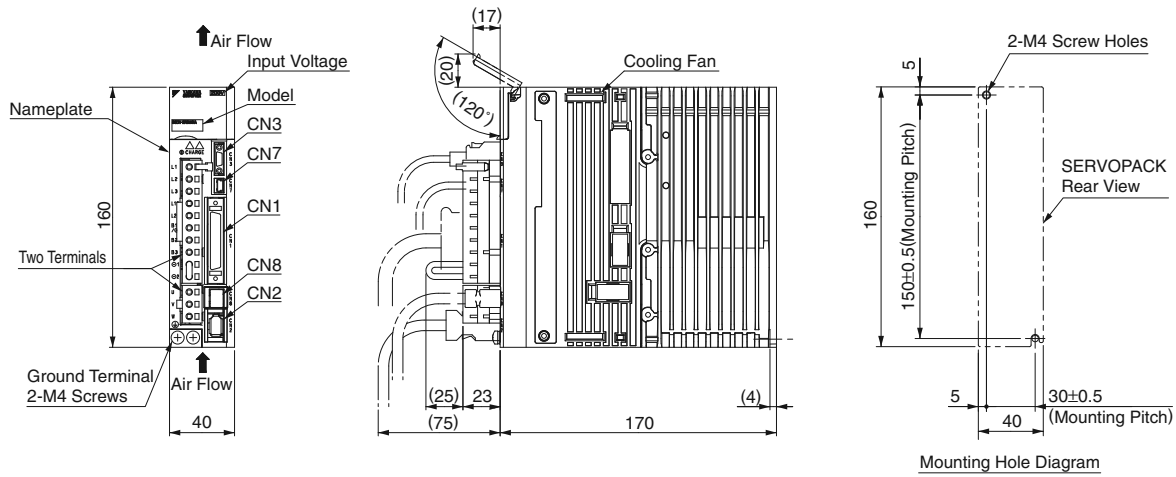
(3) Three-phase 200 VAC, Model: SGD V-R70A0□A, -R90A0□A, and -1R6A0□A



Approx. Mass: 0.9 kg

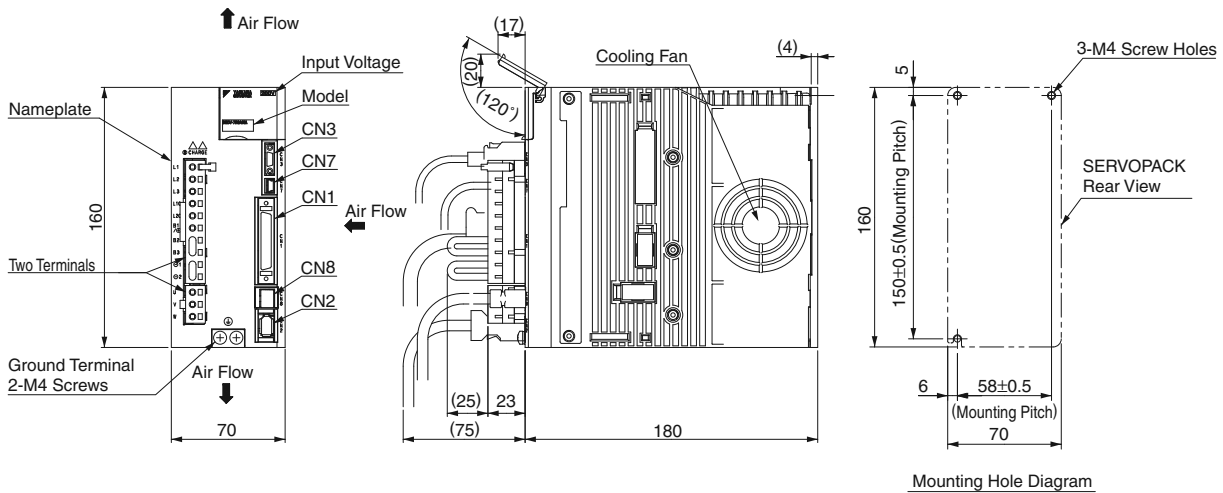
External Dimensions Units: mm

(4) Three-phase 200 VAC, Model: SGDV-2R8A0□A



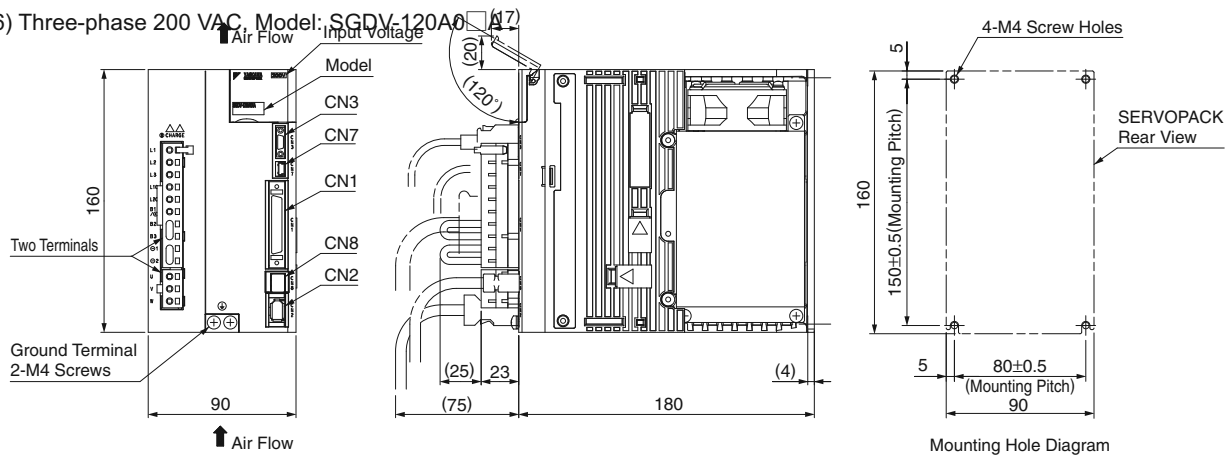
Approx. Mass: 1.0 kg

(5) Three-phase 200 VAC, Model: SGDV-3R8A0□A, -5R5A0□A, and 7R6A0□A



Approx. Mass: 1.5 kg

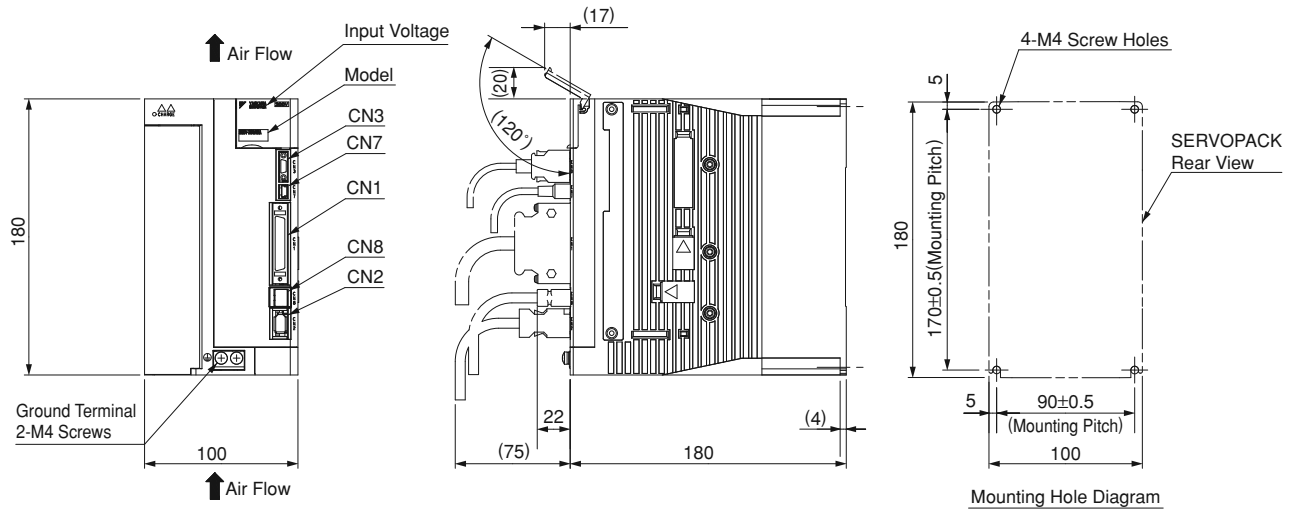
(6) Three-phase 200 VAC, Model: SGDV-120A0□A



Approx. Mass: 2.4 kg

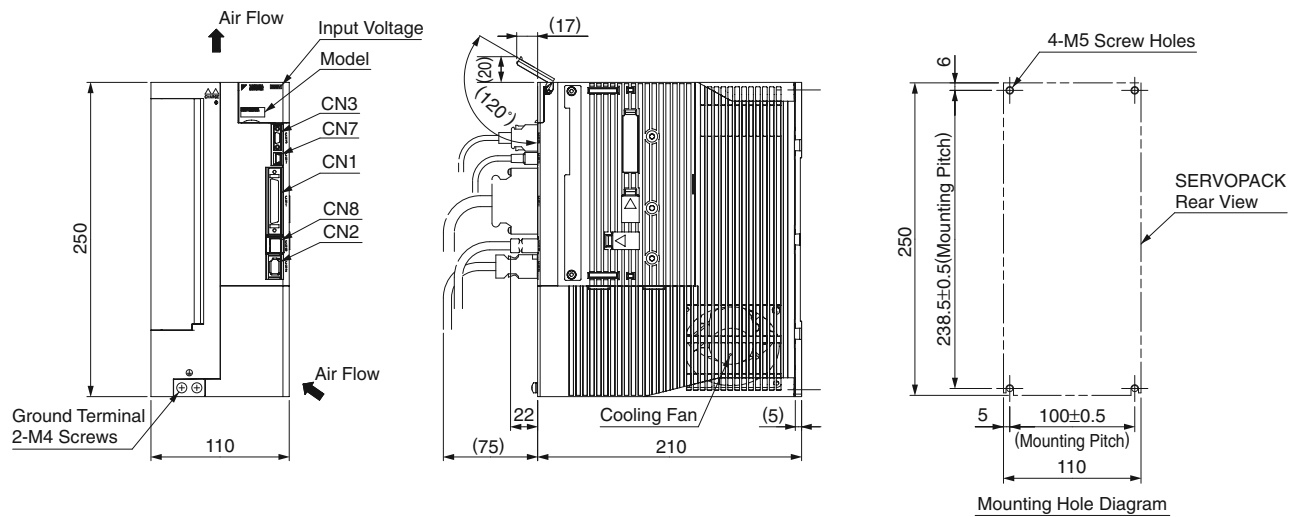
External Dimensions Units: mm

- (7) Single-phase 200 VAC, Model: SGDV-120A0□A008000 (1.5 kW, single-phase input type)
 Three-phase 200 VAC, Model: SGDV-180A0□A and -200A0□A



Approx. Mass: 2.8 kg

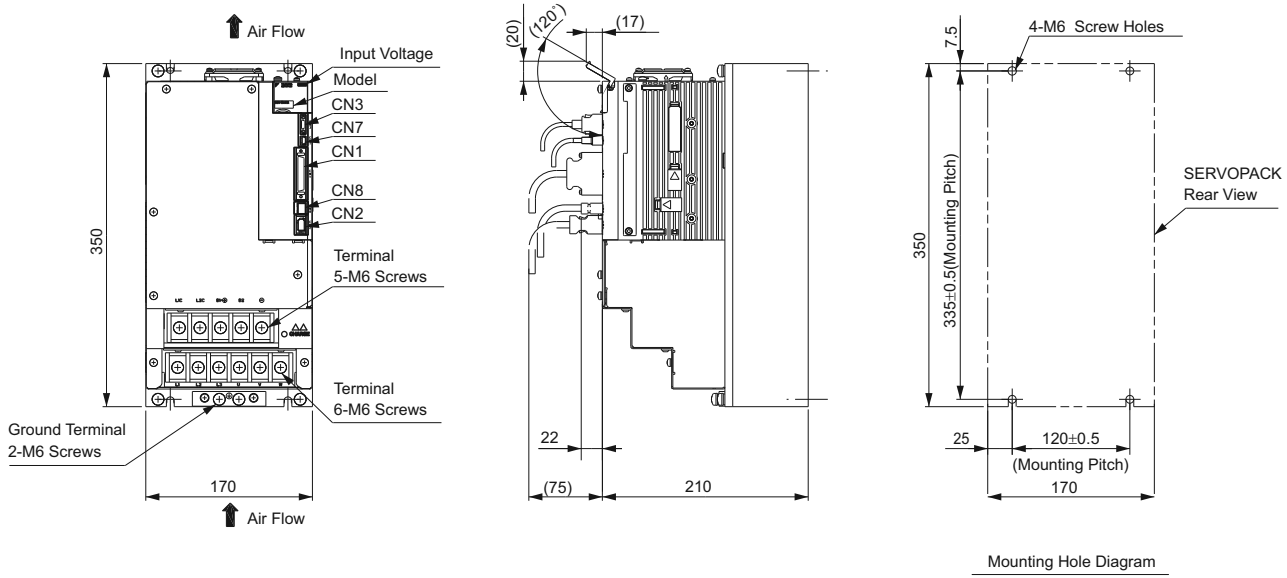
- (8) Three-phase 200 VAC, Model: SGDV-330A0□A



Approx. Mass: 4.6 kg

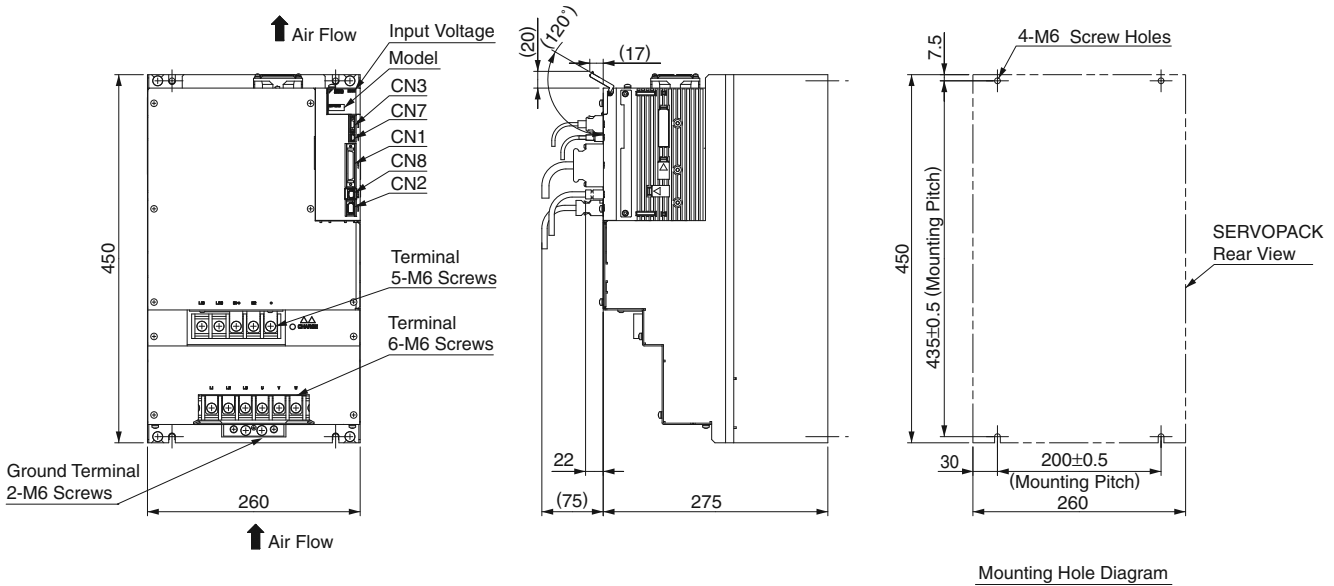
External Dimensions Units: mm

(9) Three-phase 200 VAC, Model: SGDV-470A0□A and -550A0□A



Approx. Mass: 10.2 kg

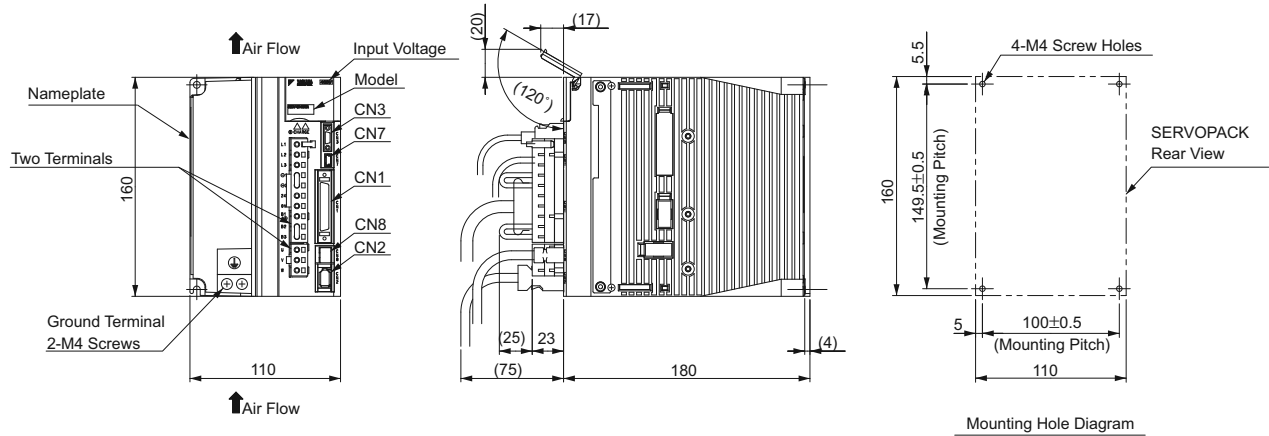
(10) Three-phase 200 VAC, Model: SGDV-590A0□A and -780A0□A



Approx. Mass: 21.0 kg

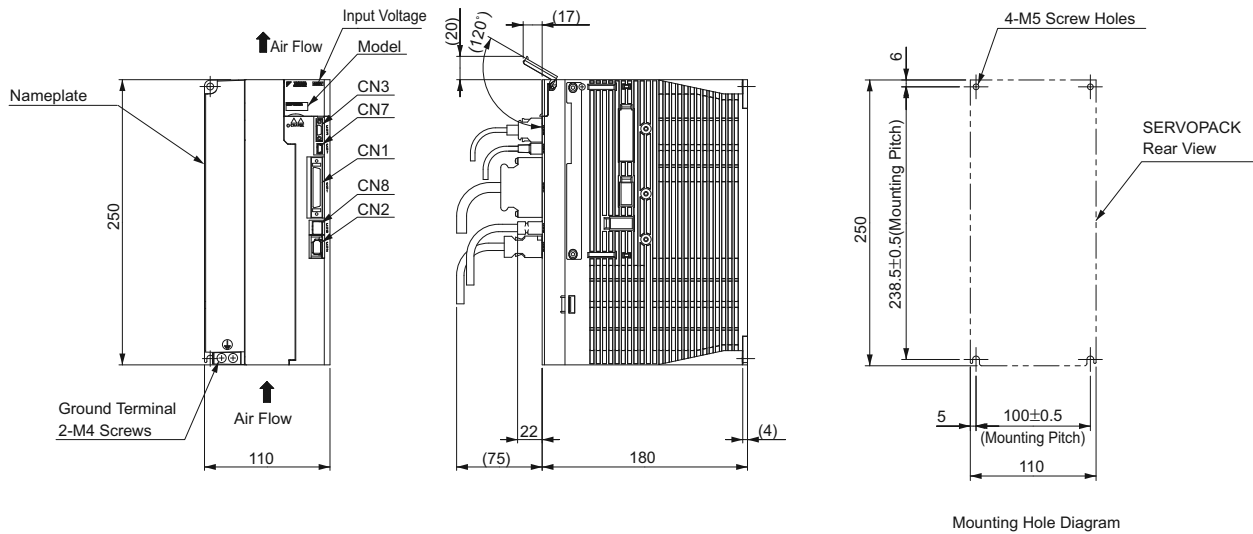
External Dimensions Units: mm

(11) Three-phase 400 VAC, Model: SGDV-1R9D0□A, -3R5D0□A, and -5R4D0□A



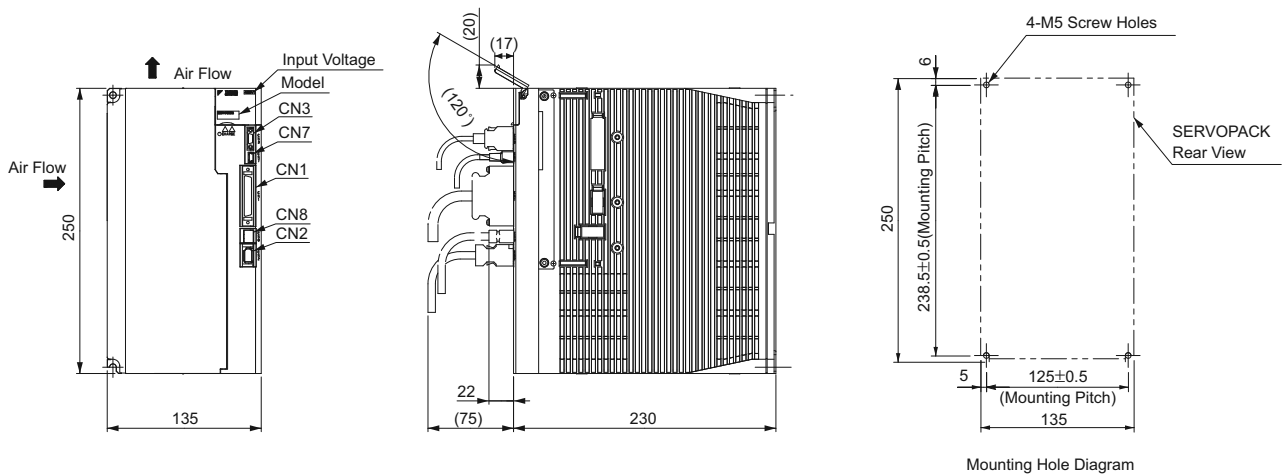
Approx. Mass: 2.7 kg

(12) Three-phase 400 VAC, Model: SGDV-8R4D0□A and -120D0□A



Approx. Mass: 3.7 kg

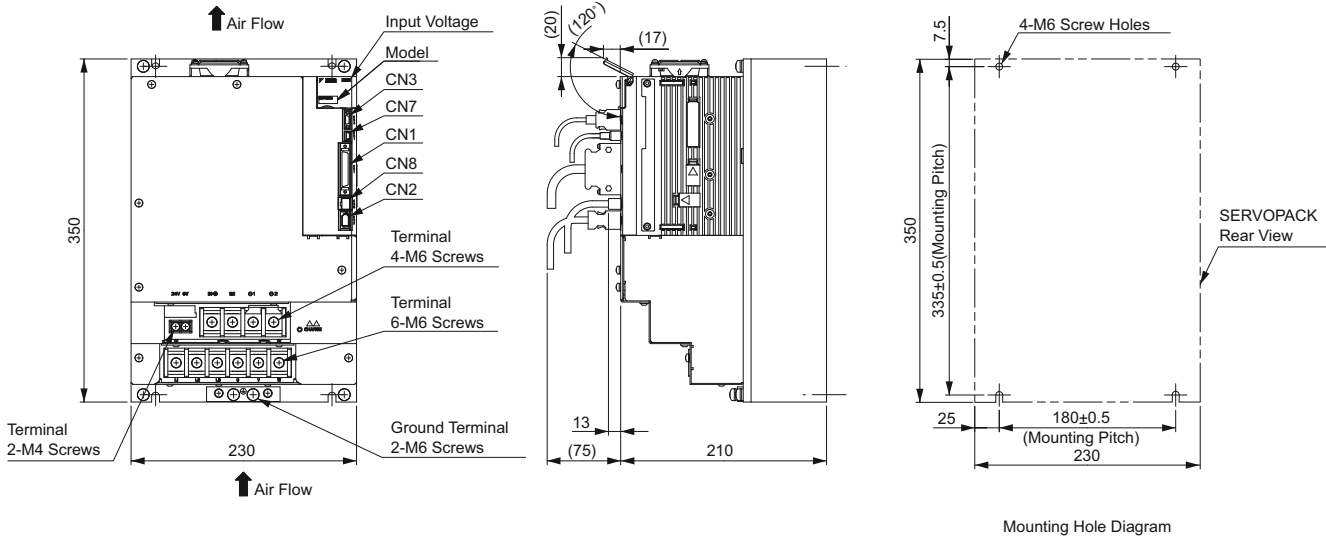
(13) Three-phase 400 VAC, Model: SGDV-170D0□A



Approx. Mass: 5.6 kg

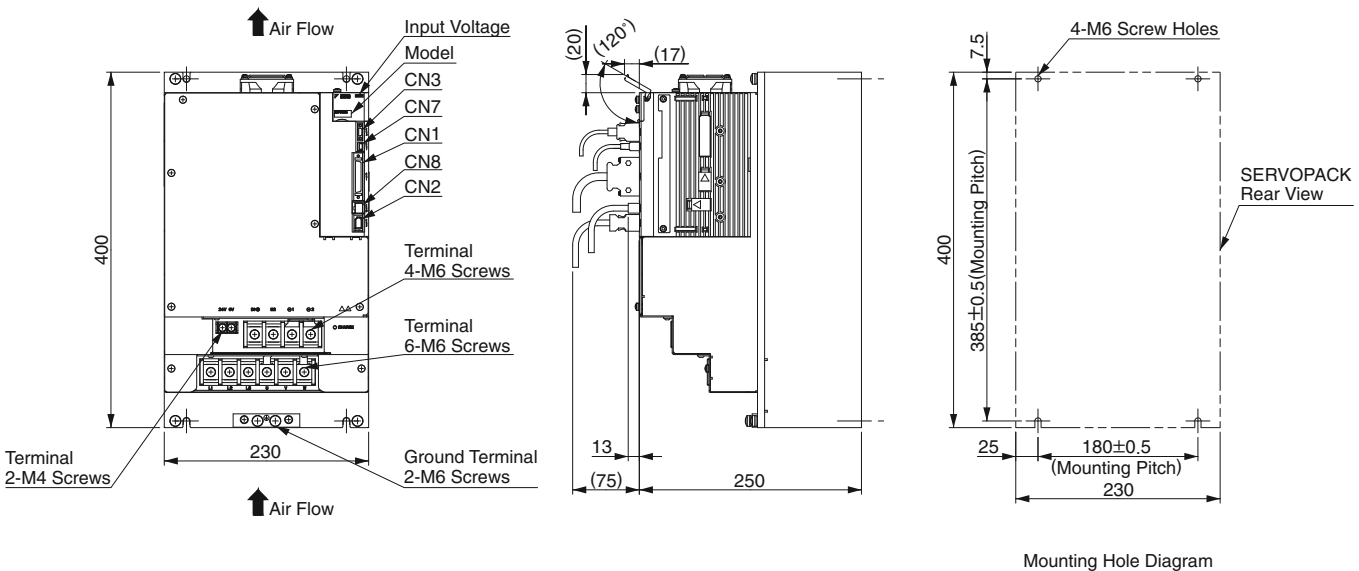
External Dimensions Units: mm

(14) Three-phase 400 VAC, Model: SGDV-210D0□A and -260D0□A



Approx. Mass: 11.3 kg

(15) Three-phase 400 VAC, Model: SGDV-280D0□A and -370D0□A



Approx. Mass: 16.2 kg

Connectors for Base-mounted SERVOPACKs

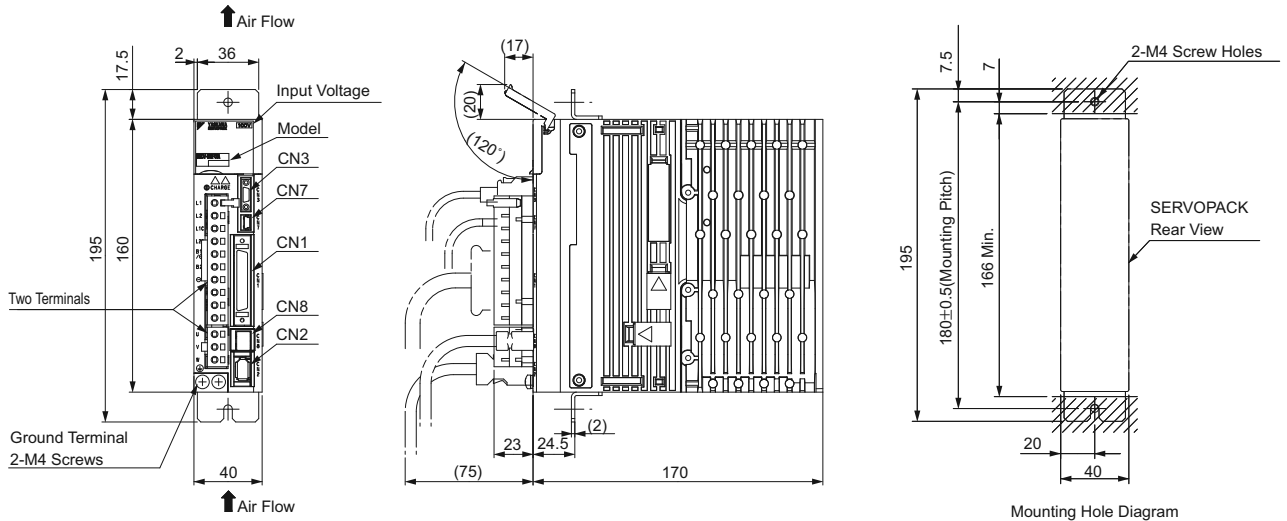
Port	Model	Pin	Manufacturer
CN1	10250-52A2PL	50	Sumitomo 3M Ltd.
CN2	53984-0671	6	Molex Japan Co., Ltd.
CN3	HDR-EC14LFDTN-SLE-PLUS	14	Honda Tsushin Kogyo Co., Ltd.
CN7	MNC23-5K5H00	5	ADVANCED-CONNECTEK INC.
CN8	1981080-1	8	Tyco Electronics AMP K.K.

Note: The connectors above or their equivalents are used for SERVOPACKs.

External Dimensions Units: mm

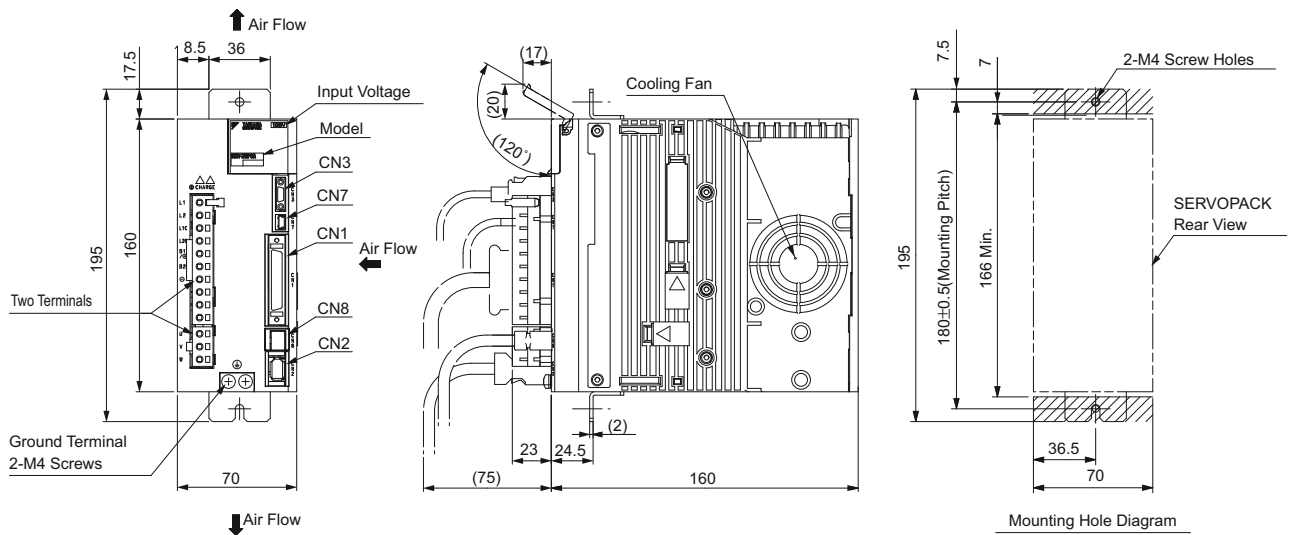
● Rack-mounted SERVOPACKs (6 kW or more models: duct-ventilated)

(1) Single-phase 100 ACV, Model: SGDV-R70F0□A001, -R90F0□A001, and -2R1F0□A001



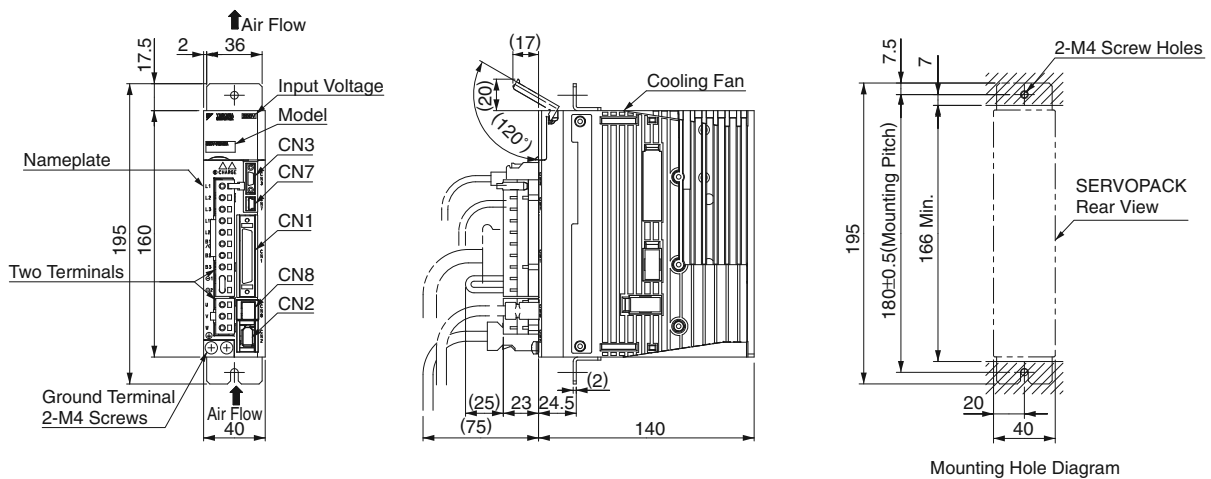
Approx. Mass: 1.1 kg

(2) Single-phase 100 VAC, Model: SGDV-2R8F0□A001



Approx. Mass: 1.5 kg

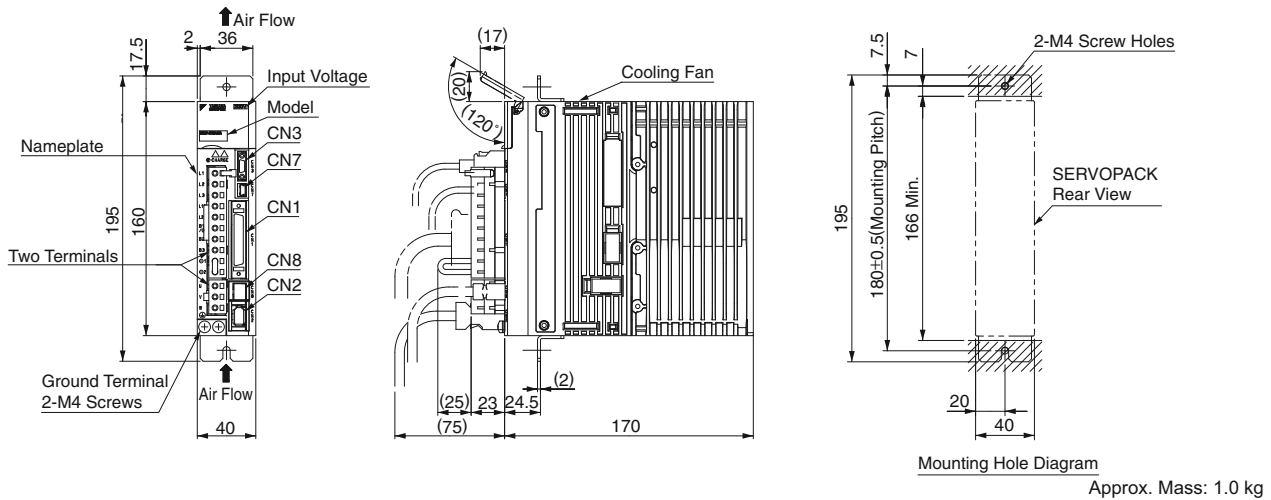
(3) Three-phase 200 VAC, Model: SGDV-R70A0□A001, -R90A0□A001, and -1R6A0□A001



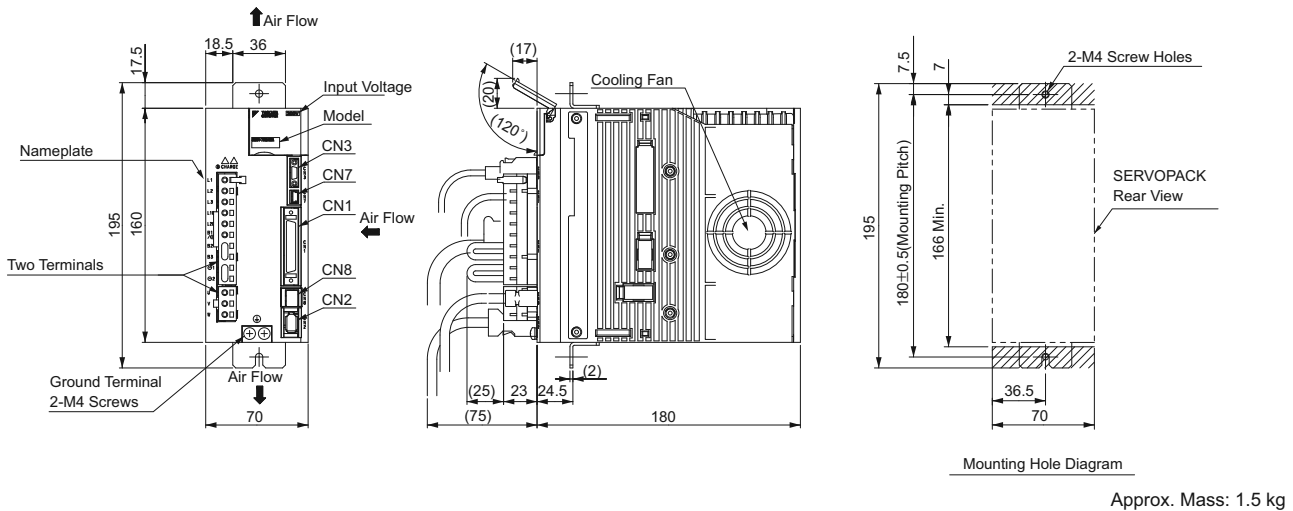
Approx. Mass: 0.9 kg

External Dimensions Units: mm

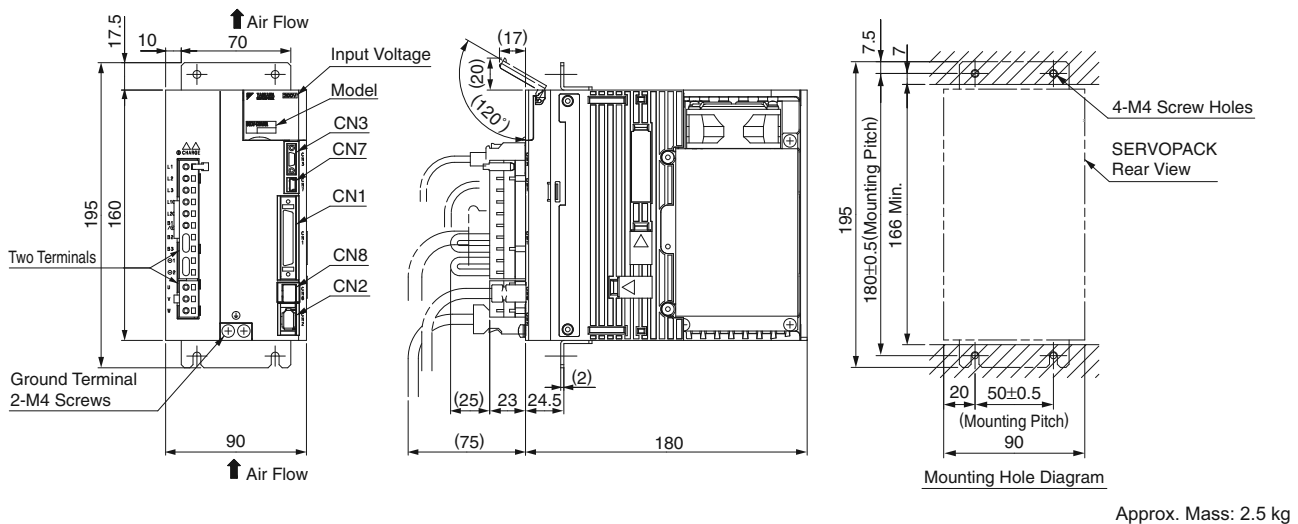
(4) Three-phase 200 VAC, Model: SGDV-2R8A0□A001



(5) Three-phase 200 VAC, Model: SGDV-3R8A0□A001, -5R5A0□A001, and -7R6A□0A001

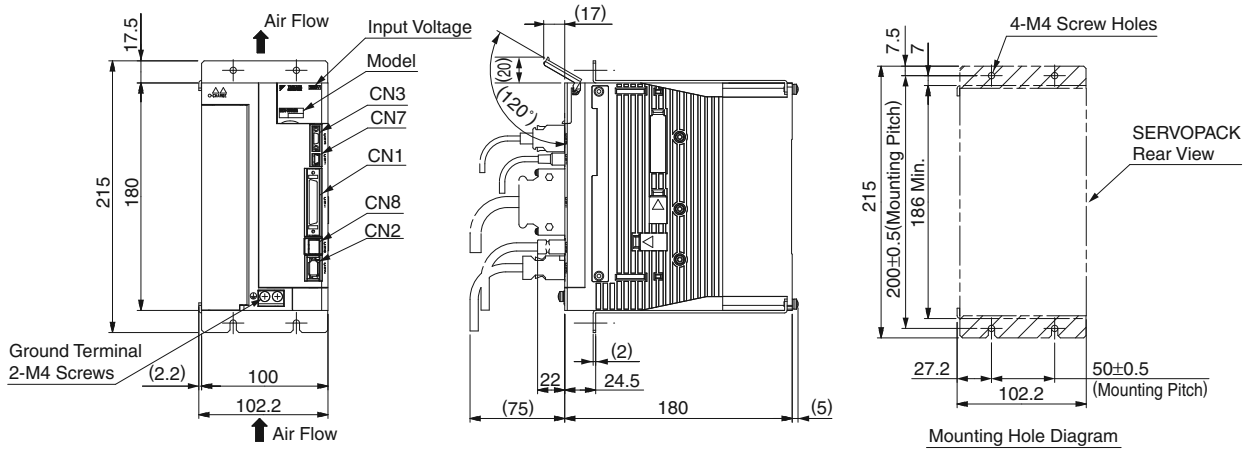


(6) Three-phase 200 VAC, Model: SGDV-120A0□A001



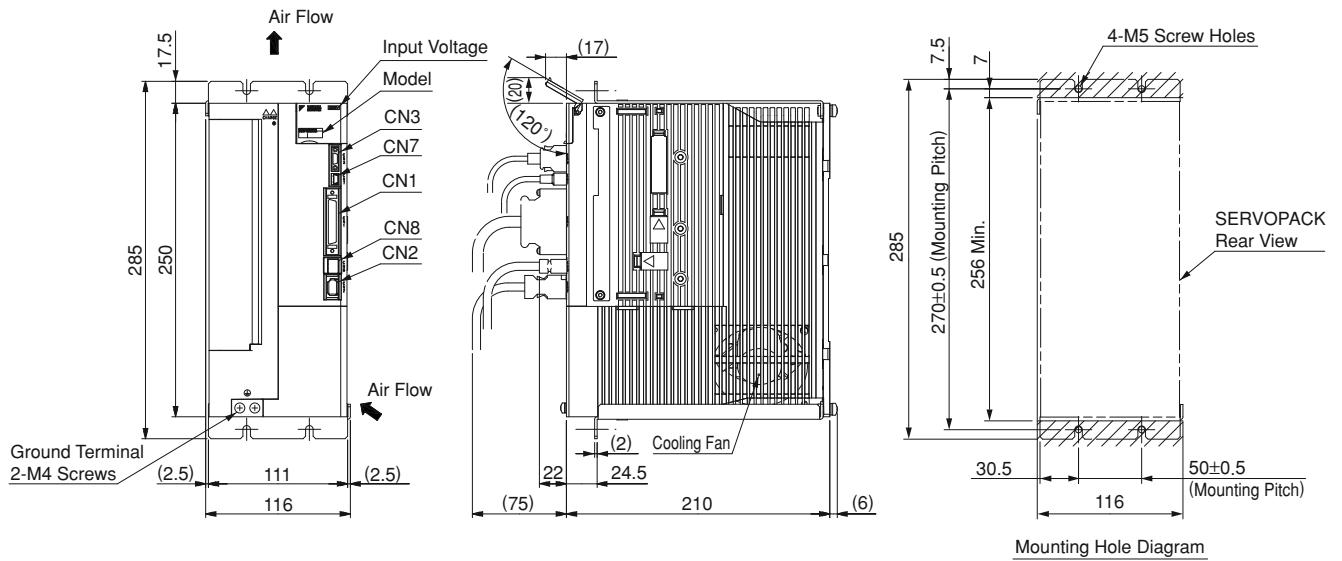
External Dimensions Units: mm

- (7) Single-phase 200 VAC, Model: SGDV-120A0□A009000 (1.5 kW, single-phase input type)
 Three-phase 200 VAC, Model: SGDV-180A0□A001 and -200A0□A001



Approx. Mass: 3.1 kg

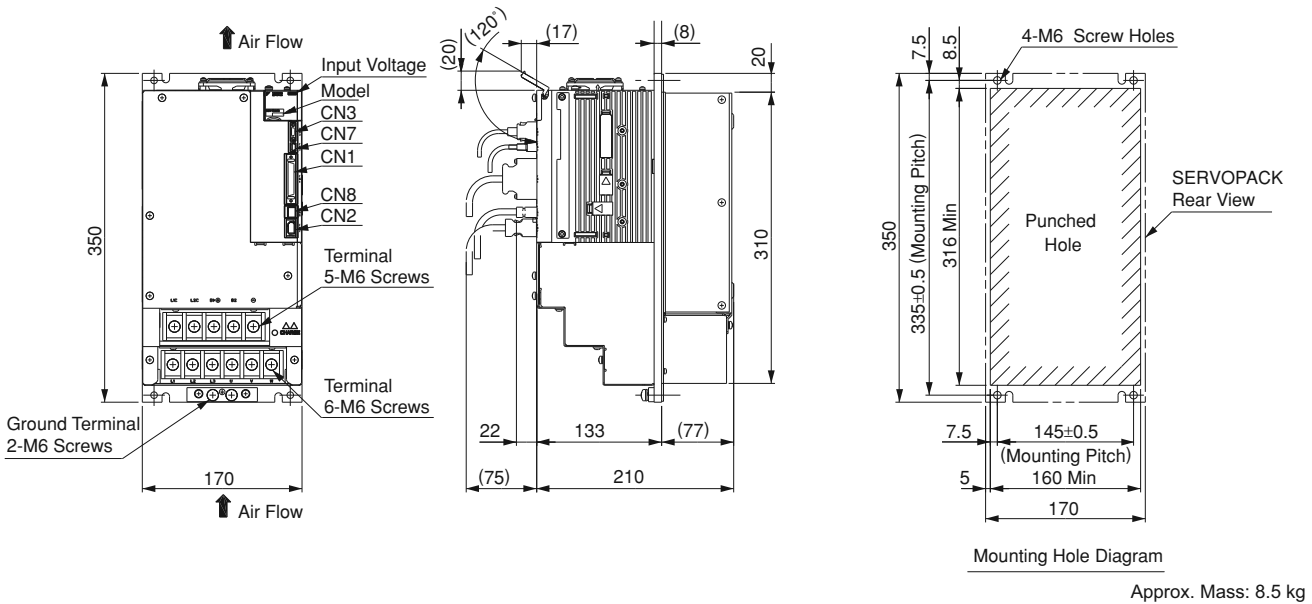
- (8) Three-phase 200 VAC, Model: SGDV-330A0□A001



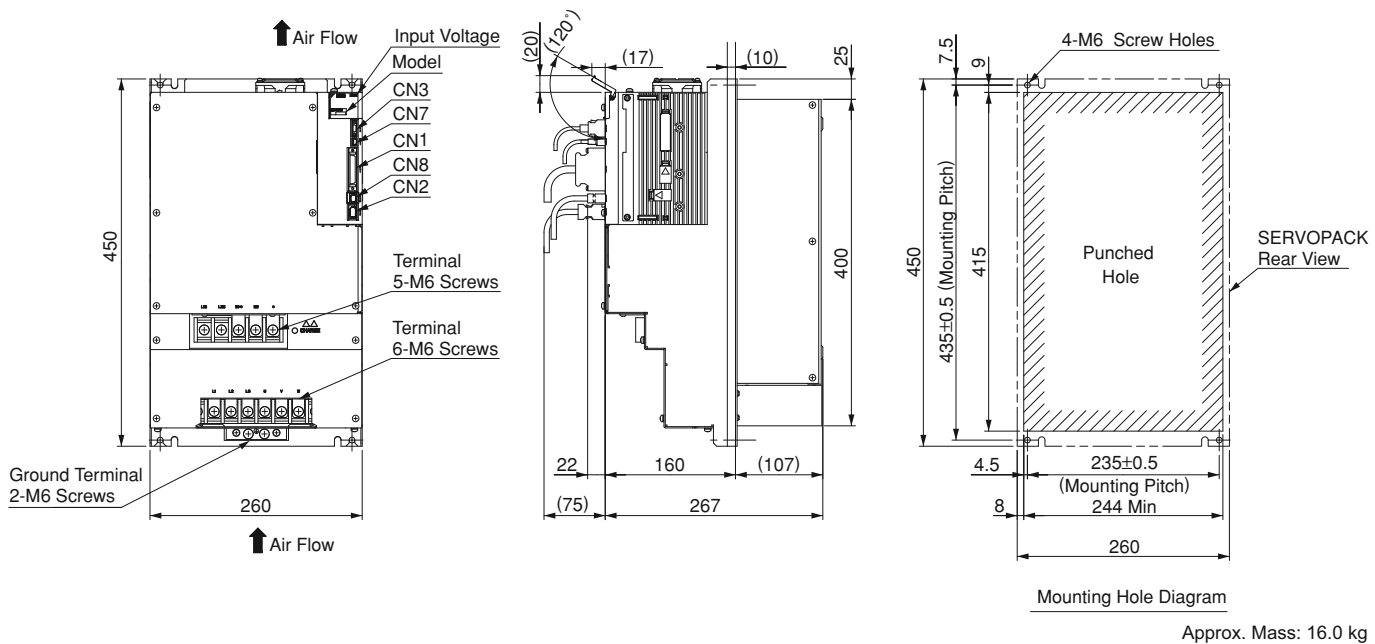
Approx. Mass: 6.0 kg

External Dimensions Units: mm

(9) Three-phase 200 VAC, SGDV-470A0□A001 and -550A□A001 (Duct-ventilated type)



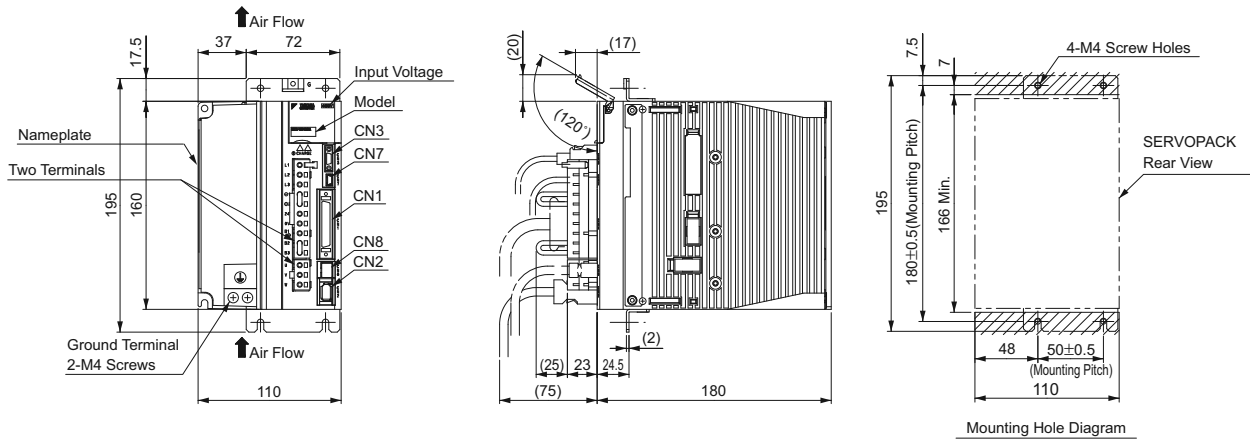
(10) Three-phase 200 VAC, SGDV-590A0□A001 and -780A□A001 (Duct-ventilated type)



Analog/Pulse Type SERVOPACKs

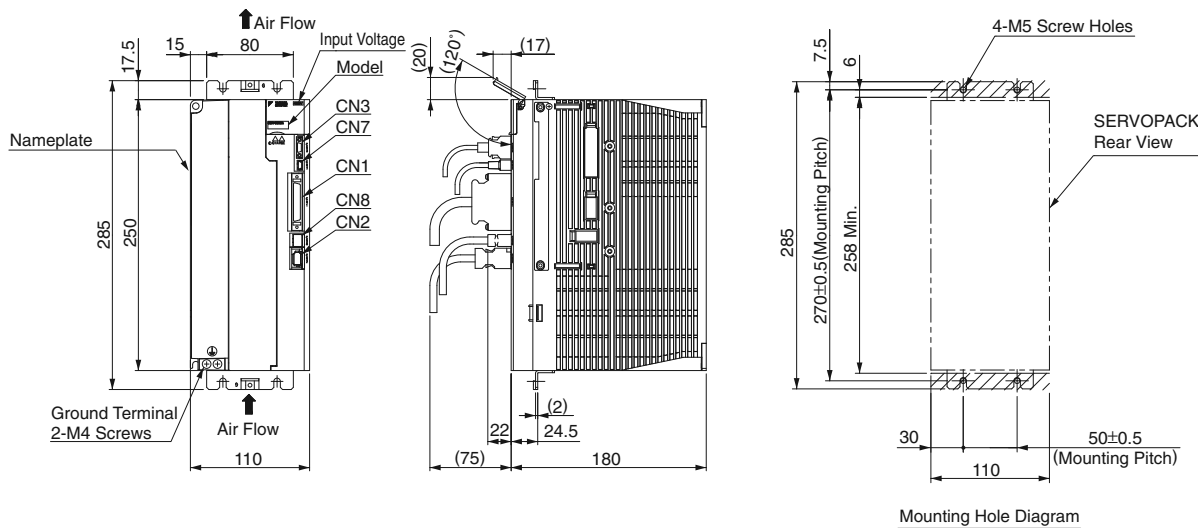
External Dimensions Units: mm

(11) Three-phase 400 VAC, Model: SGDV-1R9D0□A001, -3R5D0□A001, and -5R4D0□A001



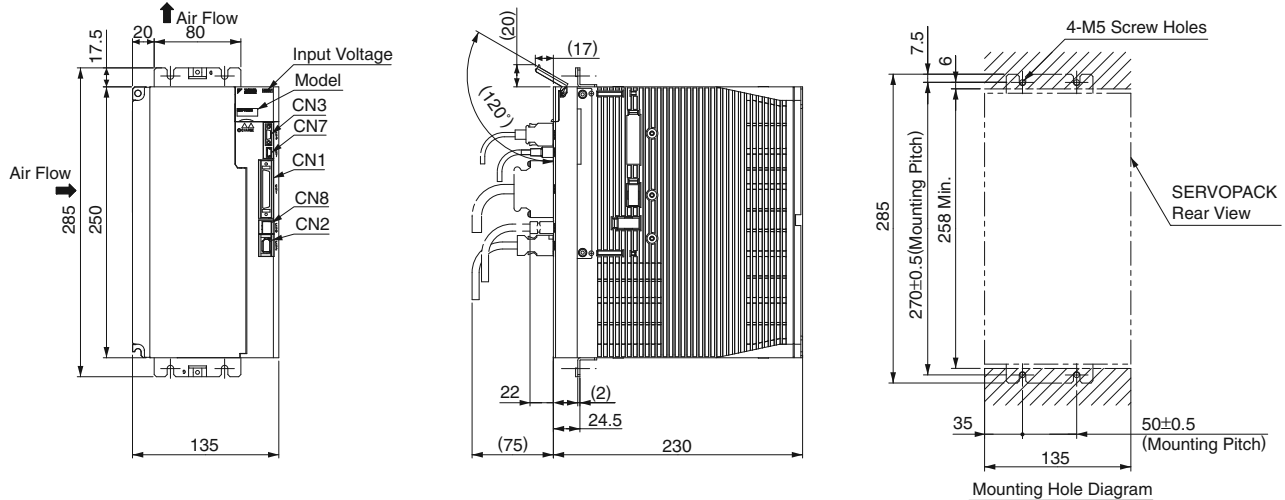
Approx. Mass: 2.7 kg

(12) Three-phase 400 VAC, Model: SGDV-8R4D0□A001 and -120D0□A001



Approx. Mass: 3.8 kg

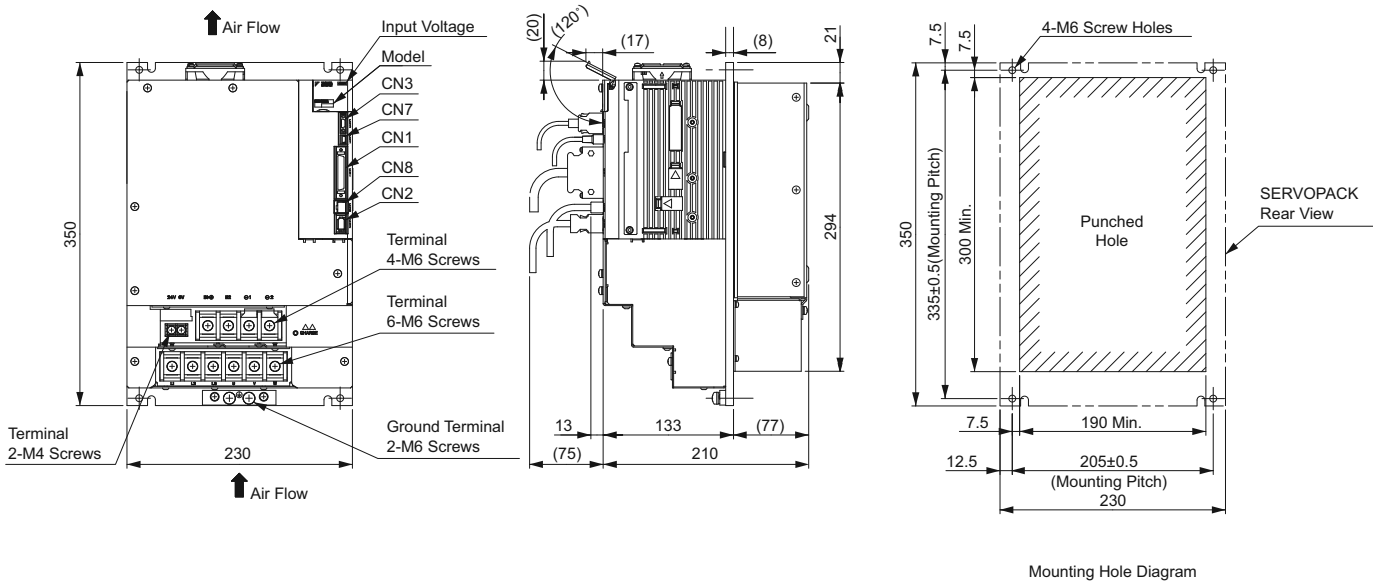
(13) Three-phase 400 VAC, Model: SGDV-170D0□A001



Approx. Mass: 5.7 kg

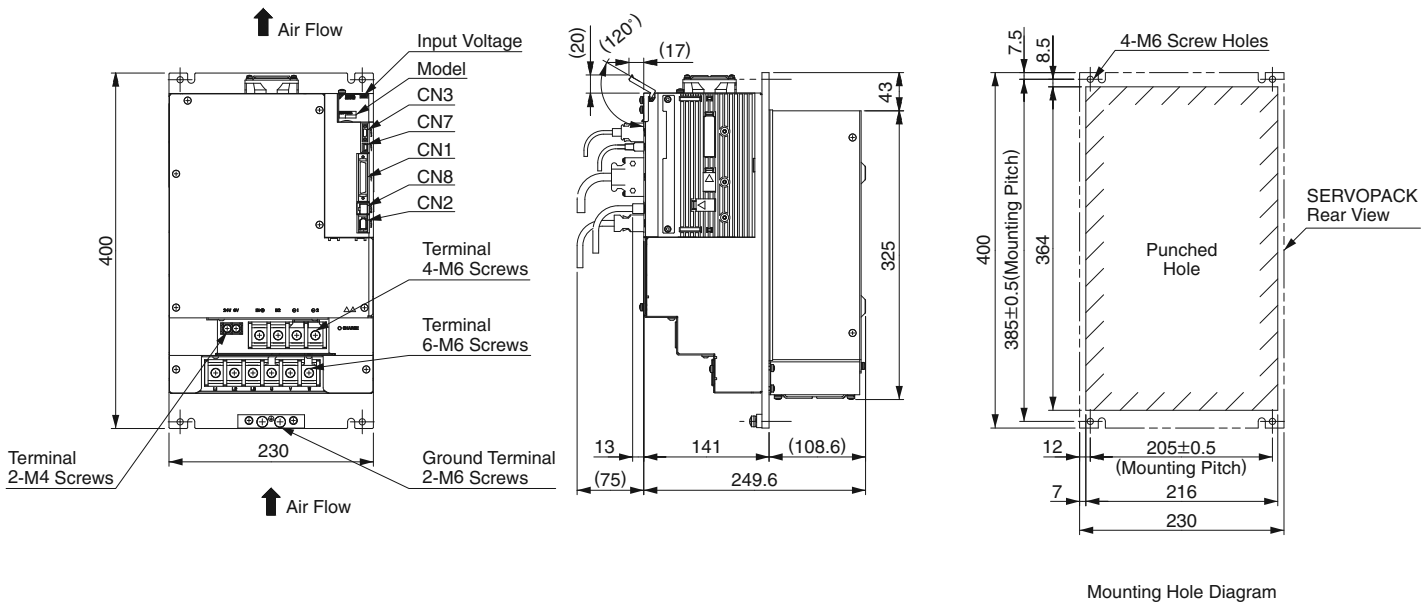
External Dimensions Units: mm

(14) Three-phase 400 VAC, Model: SGDV-210D0□A001 and -260D0□A001 (Duct-ventilated type)



Approx. Mass: 8.1 kg

(15) Three-phase 400 VAC, Model: SGDV-280D0□A001 and -370D0□A001 (Duct-ventilated type)



Approx. Mass: 13.6 kg

Connectors for Rack-mounted SERVOPACKs

Port	Model	Pin	Manufacturer
CN1	10250-52A2PL	50	Sumitomo 3M Ltd.
CN2	53984-0671	6	Molex Japan Co., Ltd.
CN3	HDR-EC14LFDTN-SLE-PLUS	14	Honda Tsushin Kogyo Co., Ltd.
CN7	MNC23-5K5H00	5	ADVANCED-CONNECTEK INC.
CN8	1981080-1	8	Tyco Electronics AMP K.K.

Note: The connectors above or their equivalents are used for SERVOPACKs.