

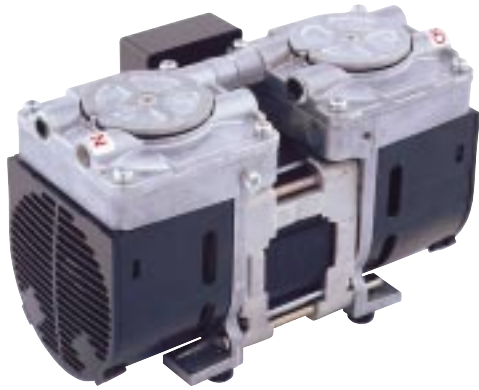
# DAP Series

## Diaphragm Type Dry Vacuum Pump

Standard type

# DAP-6D

RoHS compliant



With built-in thermal protector

# DAP Series

## Diaphragm Type Dry Vacuum Pump

Standard type

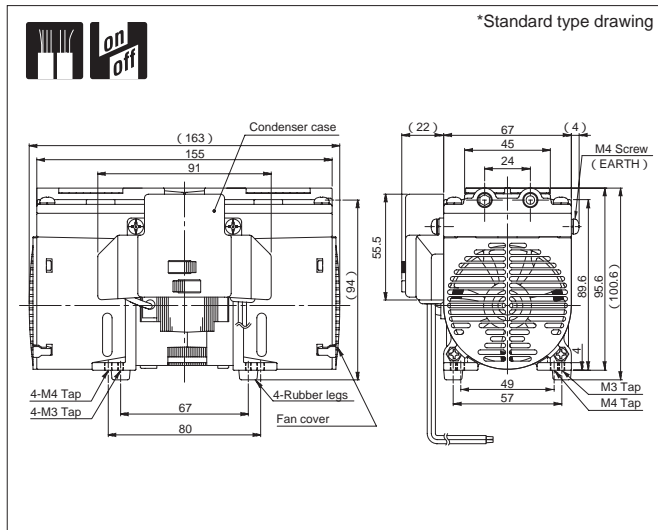
# DAP-12S

RoHS compliant



With built-in thermal protector

### Outline drawing



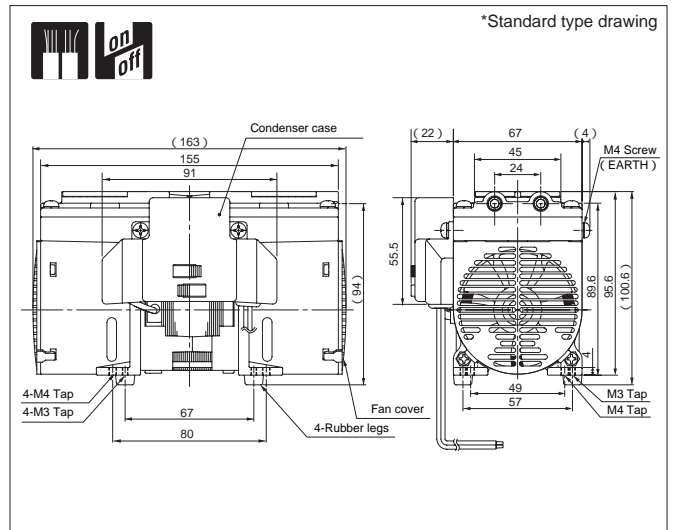
### Specifications

	Unit	DAP-6D
Actual Pumping Speed	L/min.	6/7 (50/60Hz)
Ultimate pressure	Pa	$6.65 \times 10^3$
Motor		Single phase, 220V, 10W, 4P, Capacitor run
Full load current	A	0.25
Weight	kg	1.9
Inlet, outlet pipe diameter	mm	Rc 1/8
Admissible temp range	°C	0 – 40
Dimensions	mm	93(W) x 163(L) x 100.6(H)

### Optional voltage

Voltage	Applicable Volt	CE Marked	cTUVus Marked
Single phase, 100V	Standard	—	—
Single phase, 115V	●	—	—
Single phase, 200V	●	—	—
Single phase, 220V	●	—	—

### Outline drawing



### Specifications

	Unit	DAP-12S
Actual Pumping Speed	L/min.	12/14 (50/60Hz)
Ultimate pressure	Pa	$24.0 \times 10^3$
Motor		Single phase, 220V, 10W, 4P, Capacitor run
Full load current	A	0.25
Weight	kg	1.9
Inlet, outlet pipe diameter	mm	Rc 1/8
Admissible temp range	°C	0 – 40
Dimensions	mm	93(W) x 163(L) x 100.6(H)

### Optional voltage

Voltage	Applicable Volt	CE Marked	cTUVus Marked
Single phase, 100V	Standard	—	—
Single phase, 115V	●	—	—
Single phase, 200V	●	—	—
Single phase, 220V	●	—	—