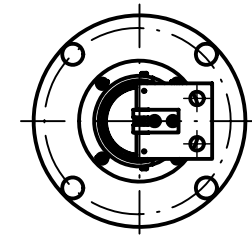
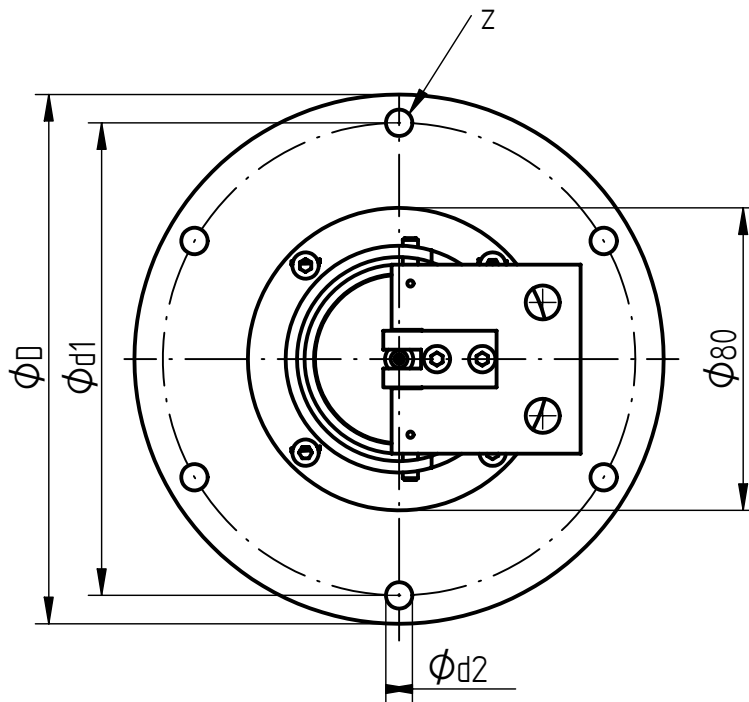
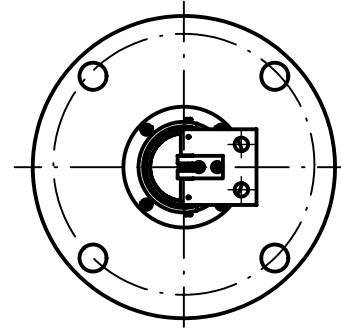
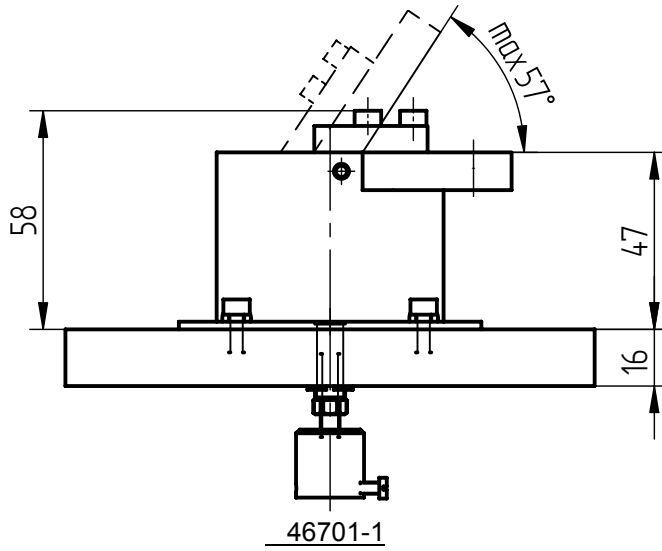
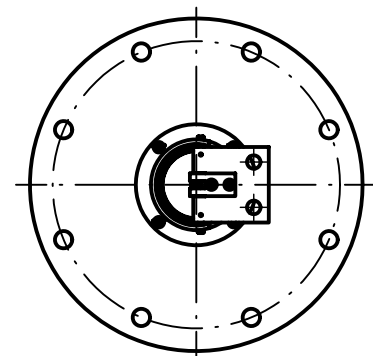




No	Qty.	Type of revision	Date	Intro.	Appr.
3	2	Two new views have been added	98-05-13	TB	
4	1	View 46701-5 is new	01-08-13	EN	



Ritn. nr	D	d1	d2	z
46701-1	140	125	7	6
-2	220	190	11,5	8
-4	140	125	14	4
-5	200	170	18	4



Item ref.	Qty.	Name	Material	Mod.-no Blank Dimension	Anm.
Designed by	Drawn by torber	Approved by	File 46701 Rev.-4.dft	Scale	Replace
 				Oil Level Gauge Transmitter	
				Weight	Date 2002-05-02
				Drawing no	46701