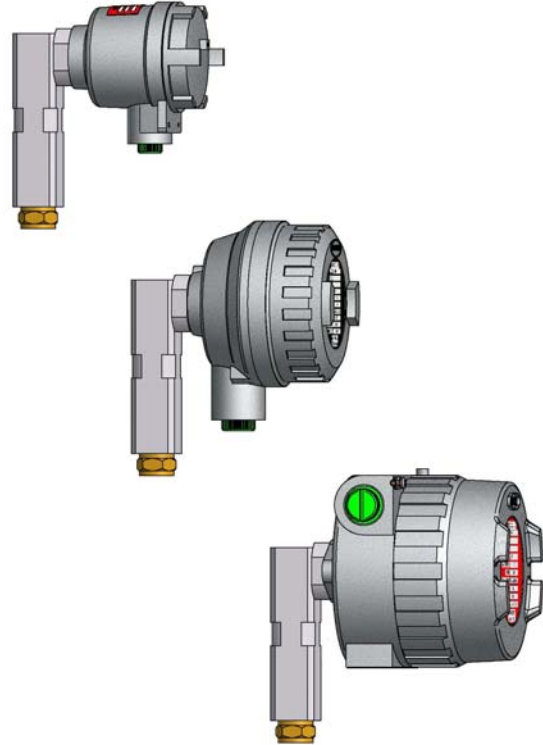


HITROL®

FLOAT LEVEL SWITCHES

HR-10L Series

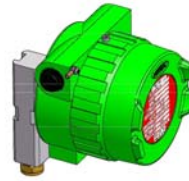


Basic Specification

Installation : With HLG-100F
 Ambient Temp. : -20~+60C
 S/W Type : Reed
 Enclosure : Ex-Proof(Ex d IIC T6, IP65)
 Combination Gauge : HLG-100F



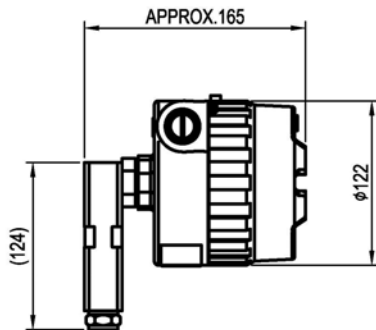
Always The Best Solution
HITROL CO., LTD.



HR-10L-Ex

* TEL : 031)950-9700
 * FAX : 031)950-0878, 031)943-5600
 * HEAD OFFICE, FACTORY, R&D INSTITUTE :
 141, PALHAKGOL-GIL, JORI-EUP,
 PAJU-SI, GYEONGGI-DO, KOREA

Dimensions(mm)



Housing ; Cable Entry
 AB : AL. ; PF 3/4"(F), IP65

Switch Housing
 AC : Duralumin

Contact Form
 AK : 1-SPDT
 AS : DPDT(Input Power : DC 24V)

Cable Entry(Adaptor) Option
 AH : NPT 1/2"(F), Ex d IIC
 AI : NPT 3/4"(F), Ex d IIC
 AJ : PT 1/2"(F), Ex d IIC
 AK : PT 3/4"(F), Ex d IIC
 AL : PF 3/4"(F), Ex d IIC

Call HITROL
 AF : Special(Customize)

Electrical connection

