


Position	Qty.	Description														
	1	<p>DME 375-10 B</p>  <p style="text-align: center;">Note! Product picture may differ from actual product</p> <p>Product No.: 95905075</p> <p>Compact positive displacement diaphragm dosing pump, with integrated variable speed motor drive, in an IP 65 plastic enclosure.</p> <p>The pump is designed for optimum user-friendliness, accuracy and reliability and is equipped with a logical control panel with one-touch buttons and a multi-language backlight display.</p> <p>The capacity to be dosed in each function is set directly in l, ml or USgal per hour. For enhanced accuracy, the pump can be calibrated to the actual installation by means of a simple calibration function.</p> <p>The turndown ratio is 1 to 800 with the same accuracy and uniform dosage with reduced pulsation throughout the capacity range.</p> <p>The pump is also equipped with a maximum capacity function (100%) that allows the pump to work for a preset time at maximum capacity for priming or ordinary maintenance without changing pump settings.</p> <p>The liquid end is composed of:</p> <ul style="list-style-type: none"> ·pump head ·PTFE-coated diaphragm ·ball valves ·manual bleed valve <p>Possible operating modes:</p> <ul style="list-style-type: none"> ·Manual dosing with direct setting in ml/hour, l/hour or USgal/hour <p>Other features:</p> <ul style="list-style-type: none"> ·On-site calibration function for calibrating the pump to the actual installation. ·Anti-cavitation function for high-viscosity, gassing liquids or long suction lines. ·Maximum capacity limitation. ·Counters for numbers of pump strokes, operation hours and power on/off. ·14 optional display languages. ·Overload protection <p>Controls:</p> <table style="width: 100%;"> <tr> <td>Control variant:</td> <td>B</td> </tr> <tr> <td>Level control:</td> <td>not integrated</td> </tr> </table> <p>Liquid:</p> <table style="width: 100%;"> <tr> <td>Pumped liquid:</td> <td>Water</td> </tr> <tr> <td>Liquid temp:</td> <td>20 °C</td> </tr> <tr> <td>Density:</td> <td>998.2 kg/m³</td> </tr> </table> <p>Technical:</p> <table style="width: 100%;"> <tr> <td>Approvals on nameplate:</td> <td>C-TICK,CE</td> </tr> </table> <p>Materials:</p> <table style="width: 100%;"> <tr> <td>Pump housing:</td> <td>Polypropylene</td> </tr> </table>	Control variant:	B	Level control:	not integrated	Pumped liquid:	Water	Liquid temp:	20 °C	Density:	998.2 kg/m ³	Approvals on nameplate:	C-TICK,CE	Pump housing:	Polypropylene
Control variant:	B															
Level control:	not integrated															
Pumped liquid:	Water															
Liquid temp:	20 °C															
Density:	998.2 kg/m ³															
Approvals on nameplate:	C-TICK,CE															
Pump housing:	Polypropylene															



Company name:

Created by:

Phone:

Date:

3/12/2016

Position	Qty.	Description
		Valve ball: Ceramic Gasket: FKM
		Installation: Maximum operating pressure: 10 bar Pump inlet: THREADED RP 1 1/4" Pump outlet: THREADED RP 1 1/4"
		Electrical data: Power input - P1: 240 W Mains frequency: 50 Hz Rated voltage: 1 x 100-240 V Rated current: 2,4-1 A Type of cable plug: SCHUKO



Company name:

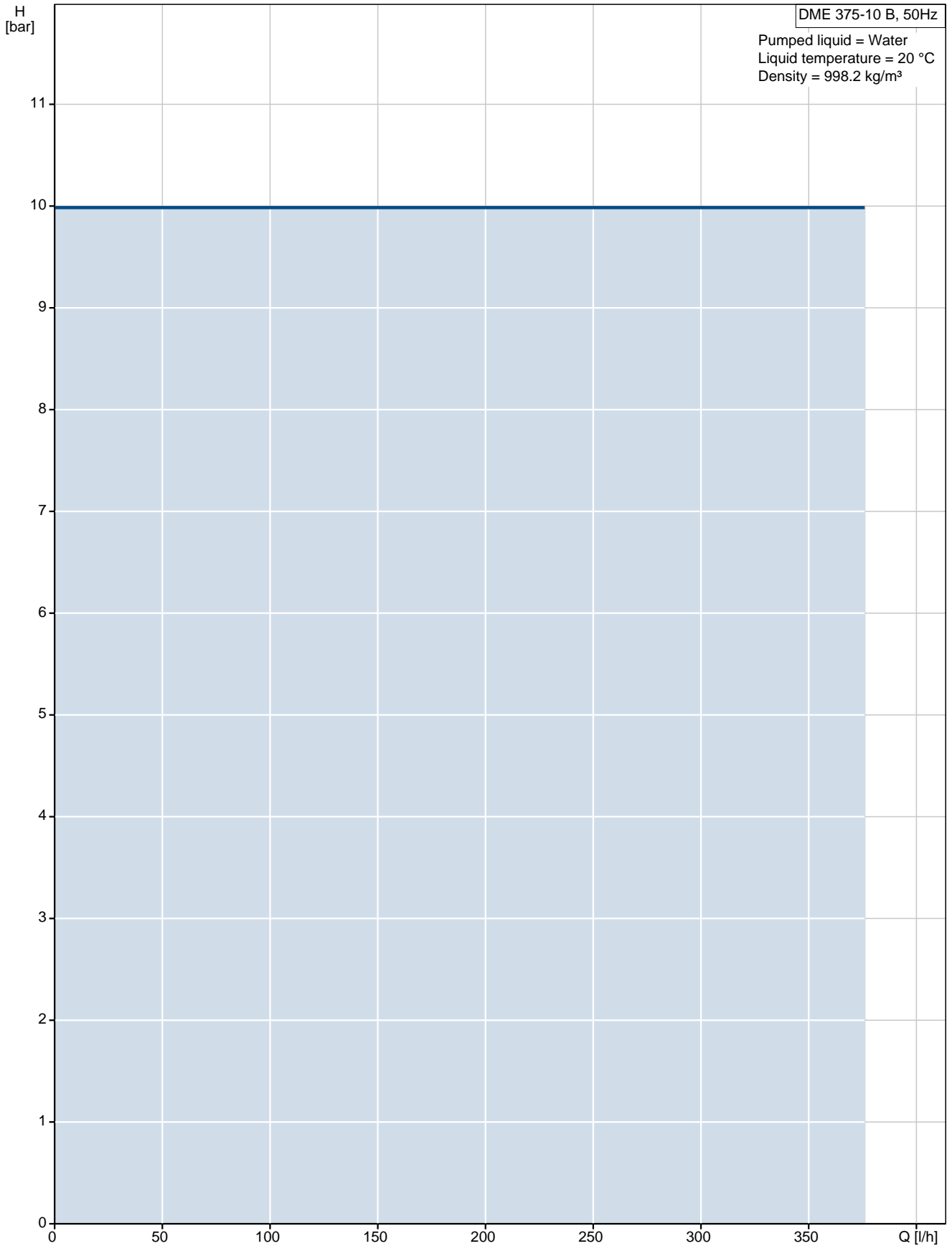
Created by:

Phone:

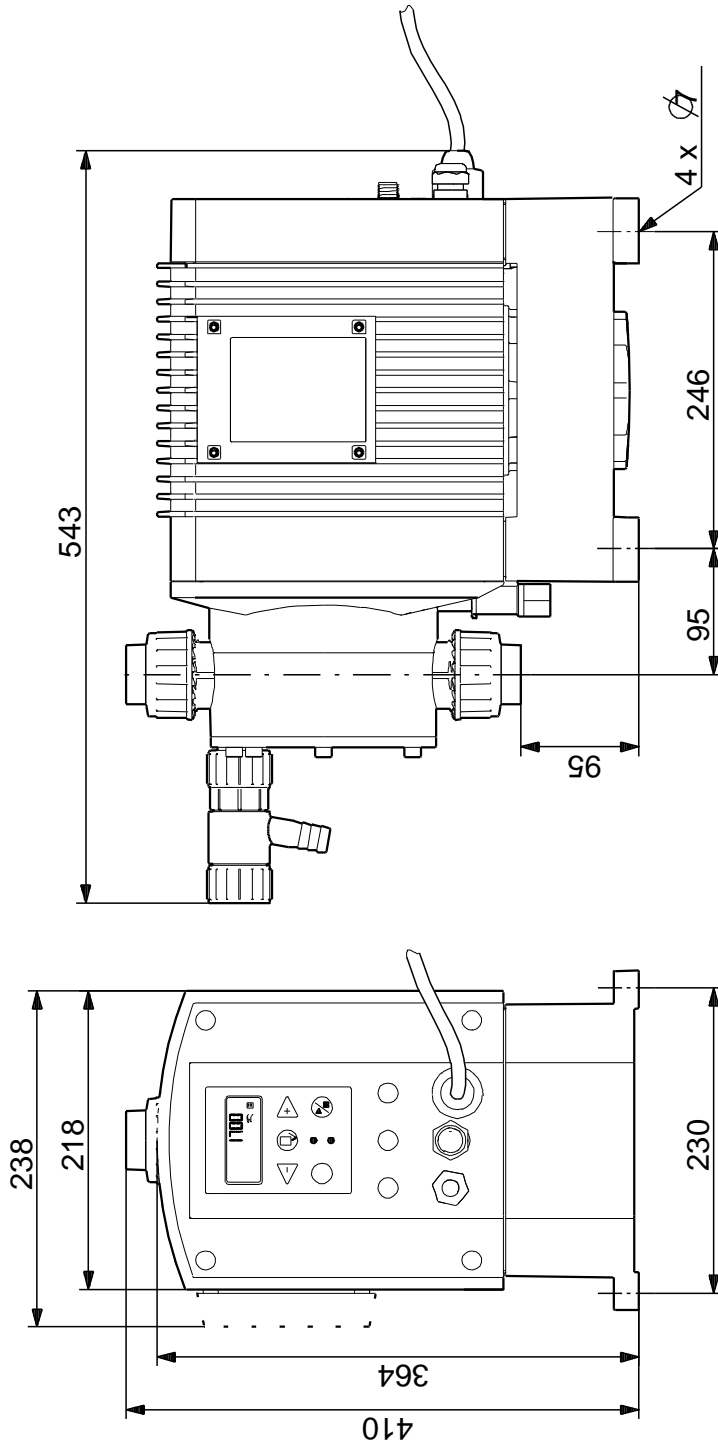
Date:

3/12/2016

95905075 DME 375-10 B 50 Hz



95905075 DME 375-10 B 50 Hz



Note! All units are in [mm] unless others are stated.
Disclaimer: This simplified dimensional drawing does not show all details.