

Customer

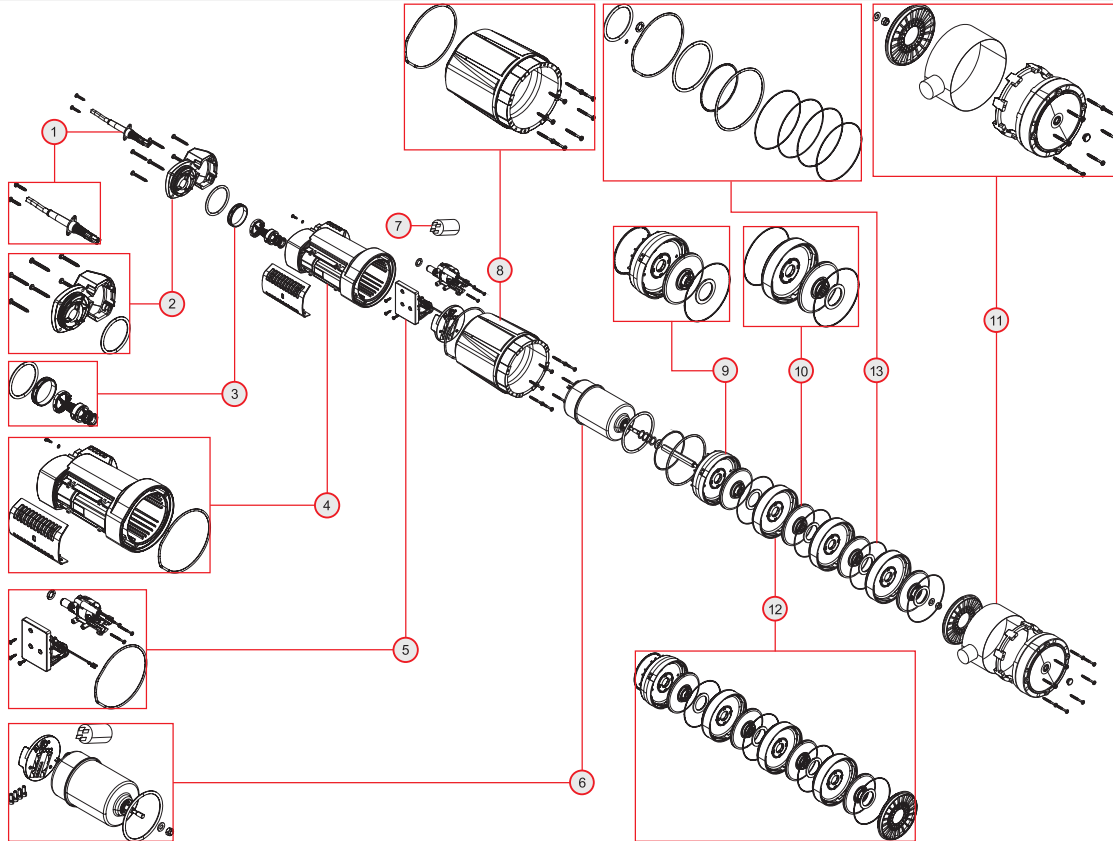
Supplier

 Company name
 Dept.
 Editor
 Phone number
 Fax no.
 E-mail

Model - Revision @ Code_Document version

Attention: check the correspondence with the revision of your product

Pos.no	Description	Item no.	Quant.	UP
DIVERTRON X 1200 V230/50 - N.2.-- @ LP614002_a,b				



1	KIT RICAMBI - CAVO DI ALIMENTAZIONE COMPLETO 15M	SPS3600422	1	Price on req.
---	--	------------	---	---------------

Project

Creation software

Spaix® 5-2019.2 - 2019/05/28 (Build 93)

Issue date

3/30/2020

Last update

3/30/2020