

Technical Data

Item no. Q20183349.0 - 100 Datasheet Rev. 0

LSN 125-100-200 S1VV1 7502

Name

Company name Issued by Phone number Fax no. e-mail address	Receiver To whom it may concern	From WDA Pompen BV werner damste 0031 (0) 74 3030504 wdamste@wdapompen.nl
--	------------------------------------	---

Operating data

1 Installation	Single pump operation	Fluid	Water, pure
2 No. of pumps	1	Operating temperature t A	°C 20
3 Nominal flow	m³/h 256	pH-value at t A	7
4 Nominal head	m 70	Density at t A	kg/m³ 998
5 Static head	m 0	Kin. viscosity at t A	mm²/s 1
6 Inlet pressure	kPa 9,8	Vapor pressure at t A	kPa 2,2
7 Environmental temperature	°C 4	Content of solid %	Solid size mm 0 0
8 Available system NPSH	m 0	Altitude	m 0

Pump data

9 Pump designation	LSN 125-100-200 S1VV1 7502			Impeller Ø	Max.	mm	212
10 Design	ISO Chemical pump				designed	mm	200,3
11 Execution	without Inducer (8)				Min.	mm	160
12 Operating speed	1/min	3570	Flow	Nominal	m³/h	256 (256)	
13 Number of stages	1			Max-	m³/h	397,8	
14 Suction nozzle	DN 125 / PN16 / EN 1092 (IC)			Min-	m³/h	87,5	
15 Discharge nozzle	DN 100 / PN16 / EN 1092 (IC)		Head	Nominal	m	70	
16 Max. casing pressure	kPa 1600			at Qmax	m	41,8	
17 Max. working pressure	kPa 794,7			at Qmin	m	79,6	
18 Impeller type	Impeller design	Radialrad	Closed	Shaft power	kW		60,6 (60,6)
19 Bearing bracket	32			Max. shaft power	kW		71,6
20 Lubrication	oil (standard)			Efficiency	%		80,76
21 Constant level Oil	without (side glas)			NPSH 3%	m		6,3
22 Pump weight / Total weight	kg	93	/ 935	Head H(Q=0)	m		80

Materials

23	Pump			Shaft Seal			
24 Impeller	alloy cast steel, 1.4408			S1..1 single seal, smooth shaft sleeve			
25 Casing	alloy cast steel, 1.4408			MG912		BQ1EGG	
26 casing cover	alloy cast steel, 1.4408			shaft sleeve		Stainless Steel	
27 Shaft	alloy steel, 1.4021			1. Seal face		Carbon, resinimpreganted	
28 impeller nut	Duplex, 1.4517			2. Stationary face		SIC - pressure-free sintered	
29 lantern	ductile iron, 0.7043			3. Stationary seal		EPDM	
30 Bearing frame	Cast iron, 0.6025			4. Springs		CrNiMo - steel	
31 Case Drain Plug	alloy steel, 1.4571			5. Others		CrNiMo - steel	
32							
33							
34							
35							
36 Wear rings	without (Standard)						
37							

Motor data

38 Manufacturer	WEG	Electric voltage	460 V	Manufacturer	VOGEL		
39 Specific design	IE3 motors - Cast Iron Frame - Premium Efficiency			Series	flexible coupling with spacer		
40 Type	W22 - 280 S/M - 75kW			Type	H 160 FK-140		
41 Rated power	75 kW	Electric current	113 A	Frame size	160		
42 Nominal speed	3570 1/min	Degree of protection	IP55	Spacer length	mm	140	
43 Frame size	280 S/M	Explosion protection	-- --	Weight	kg	15,2	
44 Weight	674 kg	Shaft diameter	65 mm	Coupling protection	yes	Werkstoff :	

Base plate

45 Name	Baseplate-280 S/M			Accessories			
46 Weight	kg	153		Piping			

Remarks

47 Space heater in motor				heating jacket (casing)				<input type="checkbox"/> yes / no
48				heating jacket (casing cover)				<input type="checkbox"/> yes / no
49				Constant level Oiler				<input type="checkbox"/> yes / no
50				Anchorbolts				<input type="checkbox"/> yes / no
51								<input type="checkbox"/> yes / no
52								<input type="checkbox"/> yes / no

Project	Project ID	Created by	Created on	Last update
	20183349	Damsté, Werner	11-4-2018	11-4-2018

hydraulic
LSN 125-100-200 S1VV1 7502

Item no. **Q20183349.0 - 100 Datasheet** Rev. **0**

Name

Company name Issued by Phone number Fax no. e-mail address	Receiver To whom it may concern	From WDA Pompen BV Werner Damsté 0031 (0) 74 3030504 wdamste@wdapompen.nl
---	--	--

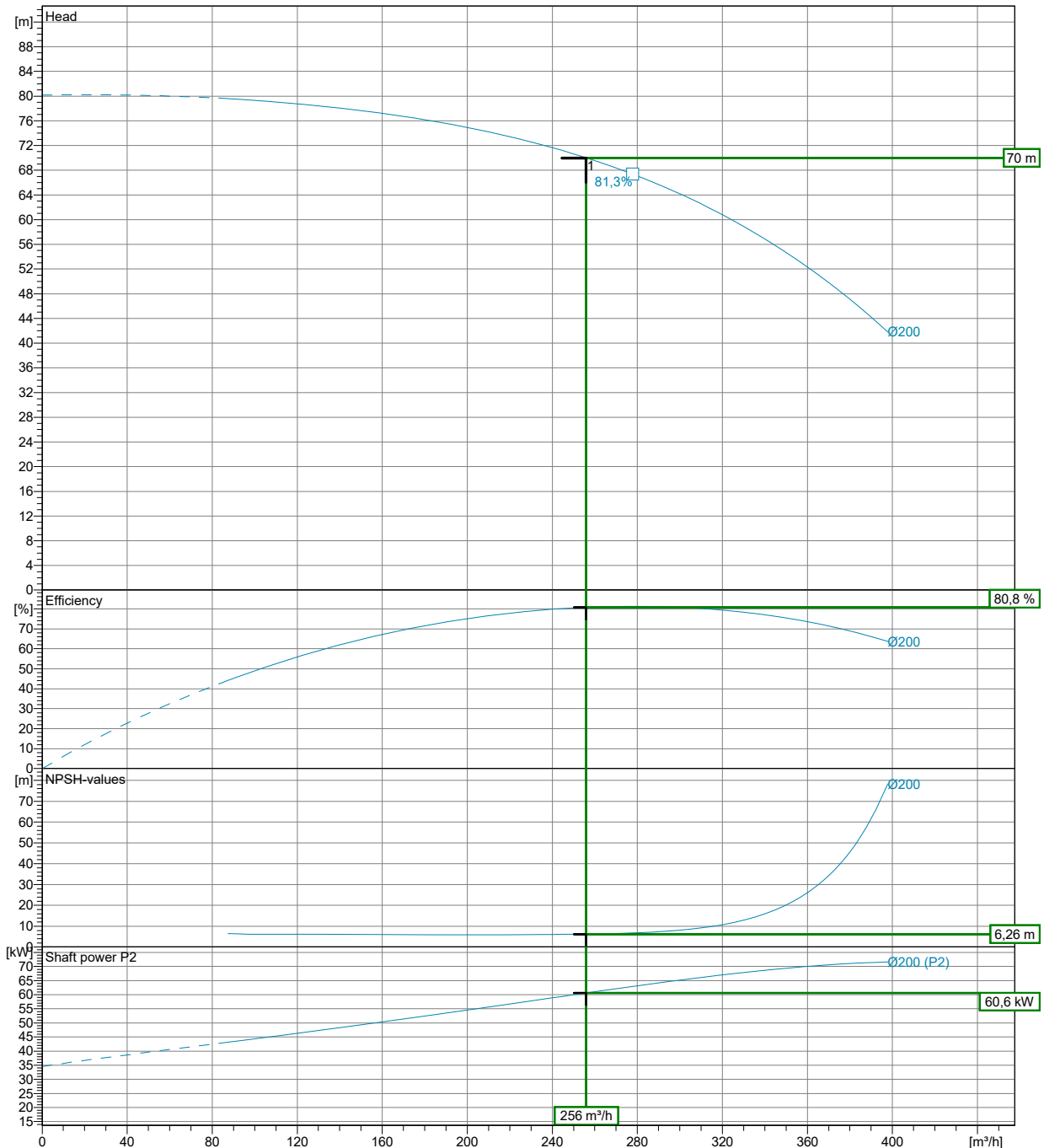
Impeller										Impeller type		Radialrad	
Ø	Pump capacity			Pump head		Shaft power P2			Impeller design		Closed		
	mm	Min. m³/h	Max. m³/h	η Max. m³/h	H(Q=0) m	η Max. m	P2(Q=0) kW	Max. kW	η Max. kW	Sense of rotation		Clockwise from the drive end	
actual	200	87,5	398	278	80,2	67,4		71,6	62,9	Discharge width		mm 26,0	
Min.	160	/	/	220	53,2	40,6		/	35,2	Free passage		mm	
Max.	212	/	/	295	90,5	78,3		/	72,5	Frequency		Hz 60	
Duty chart										3550 rpm		Operating speed 1/min 3570	

Power data referred to:

hydr. Performance acceptance acc. To EN ISO 9906 Class

Water, pure [100%]; 20°C; 998kg/m³; 1mm²/s

Grade 2B



Project	Project ID 20183349	Created by Damsté, Werner	Created on 11-4-2018	Last update 11-4-2018
---------	-------------------------------	-------------------------------------	--------------------------------	---------------------------------

Dimensions

LSN 125-100-200 S1VV1 7502

Receiver
To whom it may concern
Company name
Issued by
Phone number
Fax no.
e-mail address

From
WDA Pompen BV
Werner Damsté
0031 (0) 74 3030504
wdamste@wdapompen.nl

Unit with standard motor brand and accessories

without Inducer (8)

Dimensions

[mm]

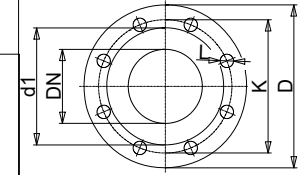
Dimensions and weight without obligation

~L	1836
a	125
c	300
DNd	100
DNs	125
e	90
f	500
H	445
h2	280
i	105
l	670
l1	600
l2	1200
LB	720
IG	1800
s	24
Volumen	0,95839
x	140
z	6

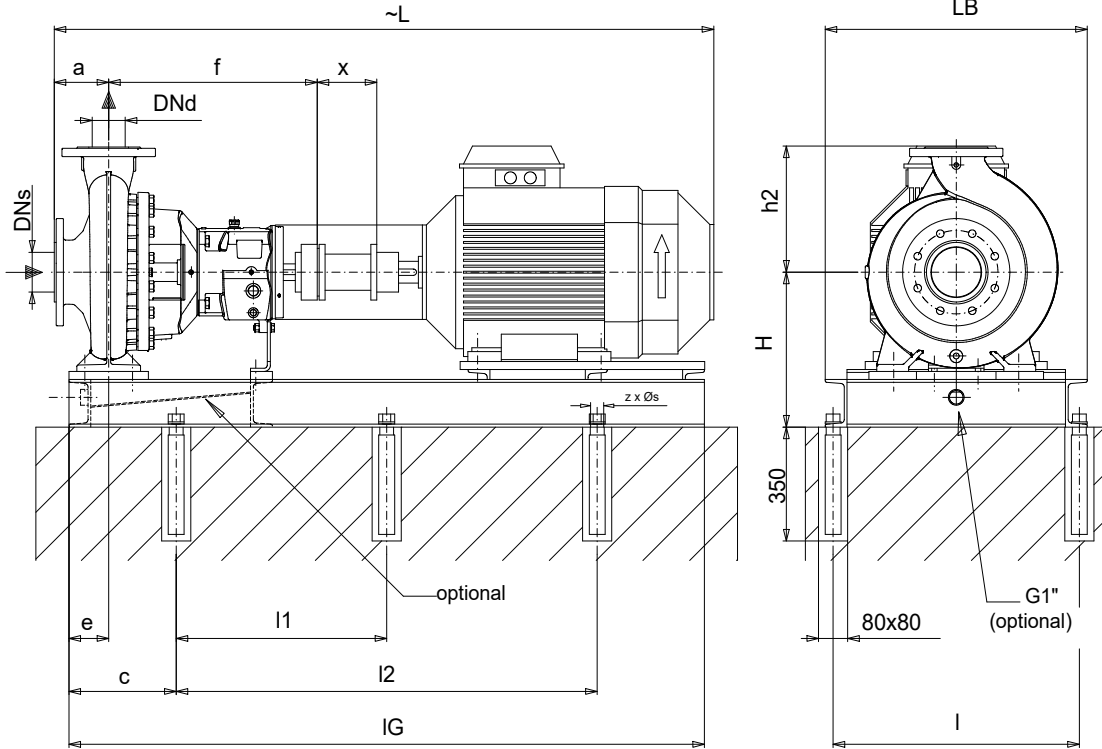
Connections

[mm]

Suction nozzle		Discharge nozzle	
DN 125		DN 100	
PN16		PN16	
EN 1092 (IC)		EN 1092 (IC)	
C	24	C	24
d	186	d	157
D	255	D	230
K	210	K	180
L	19	L	19
n	8	n	8



Weight [kg]	
Pump	93
Coupling	15
Base plate	153
Motor	674
Total weight	~ 935



Project

Project ID
20183349

Created by
Damsté, Werner

Created on
11-4-2018

Last update
11-4-2018