

1 Unilift AP12.50.11.A1



: 96001965

1-  
F

12 mm,

5 m

: 0 .. 55 °C

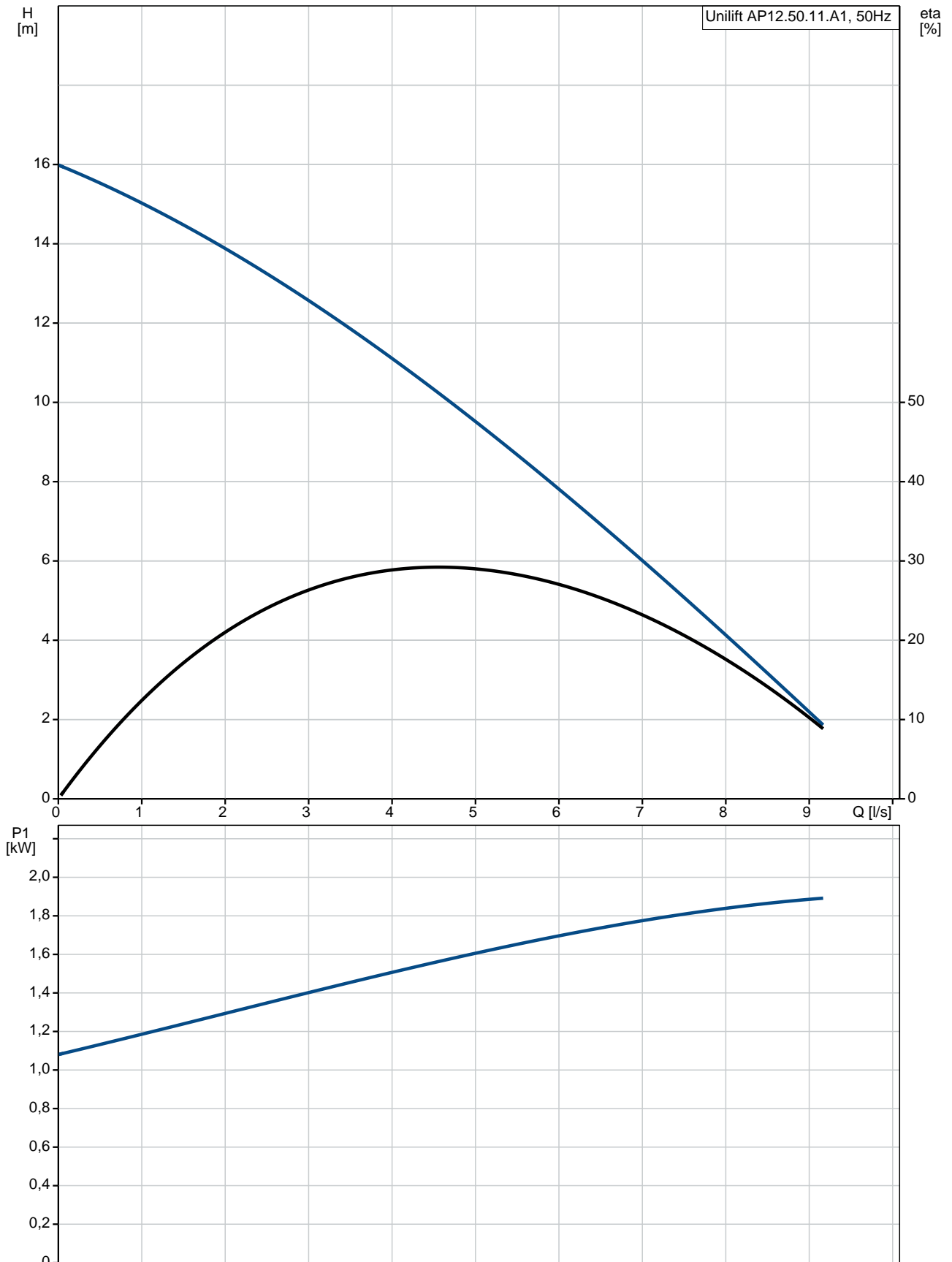
998.2 kg/m<sup>3</sup>

: 12 mm

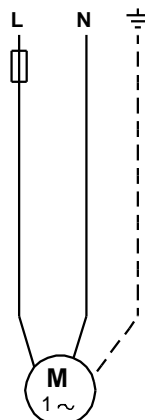
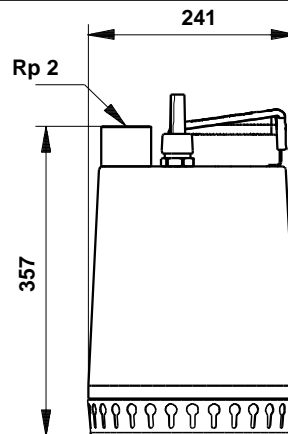
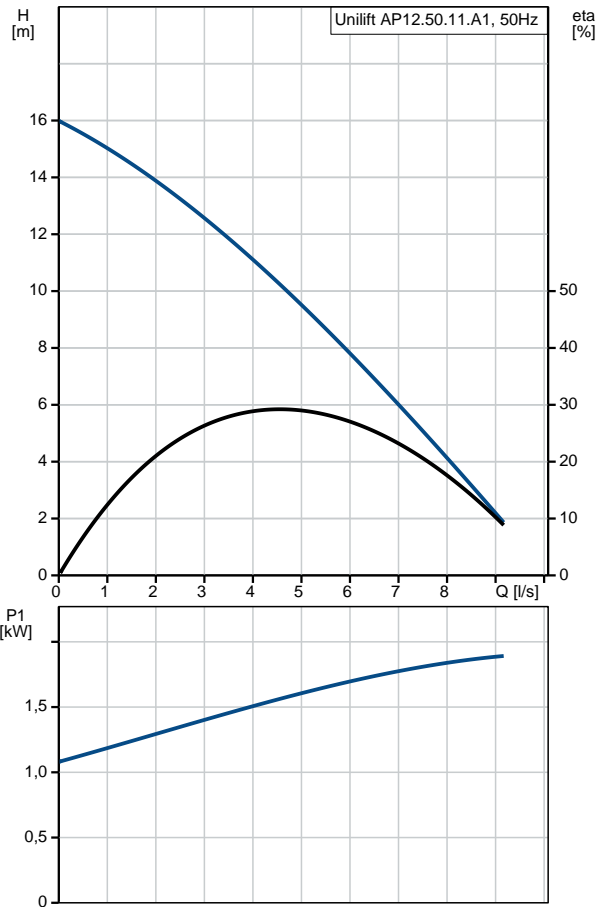
DIN W.-Nr. 1.4301

: AISI 304  
 :  
 : DIN W.-Nr. 1.4301  
 : AISI 304  
 :  
 : Rp 2  
 : : 2 m  
 :  
 : PSC  
 :  
 : - 1: 1.7 kW  
 : 50 Hz  
 : : 1 x 230 V  
 : 8.5 A  
 Cos phi - : : 0.92  
 : : 2760 rpm  
 : - : 20  $\mu$ F/400 V  
 (IEC 34-5): IP68  
 (IEC 85): F  
 : 5 m  
 : SCHUKO  
 :  
 :  
 : 15 kg  
 : 15.5 kg

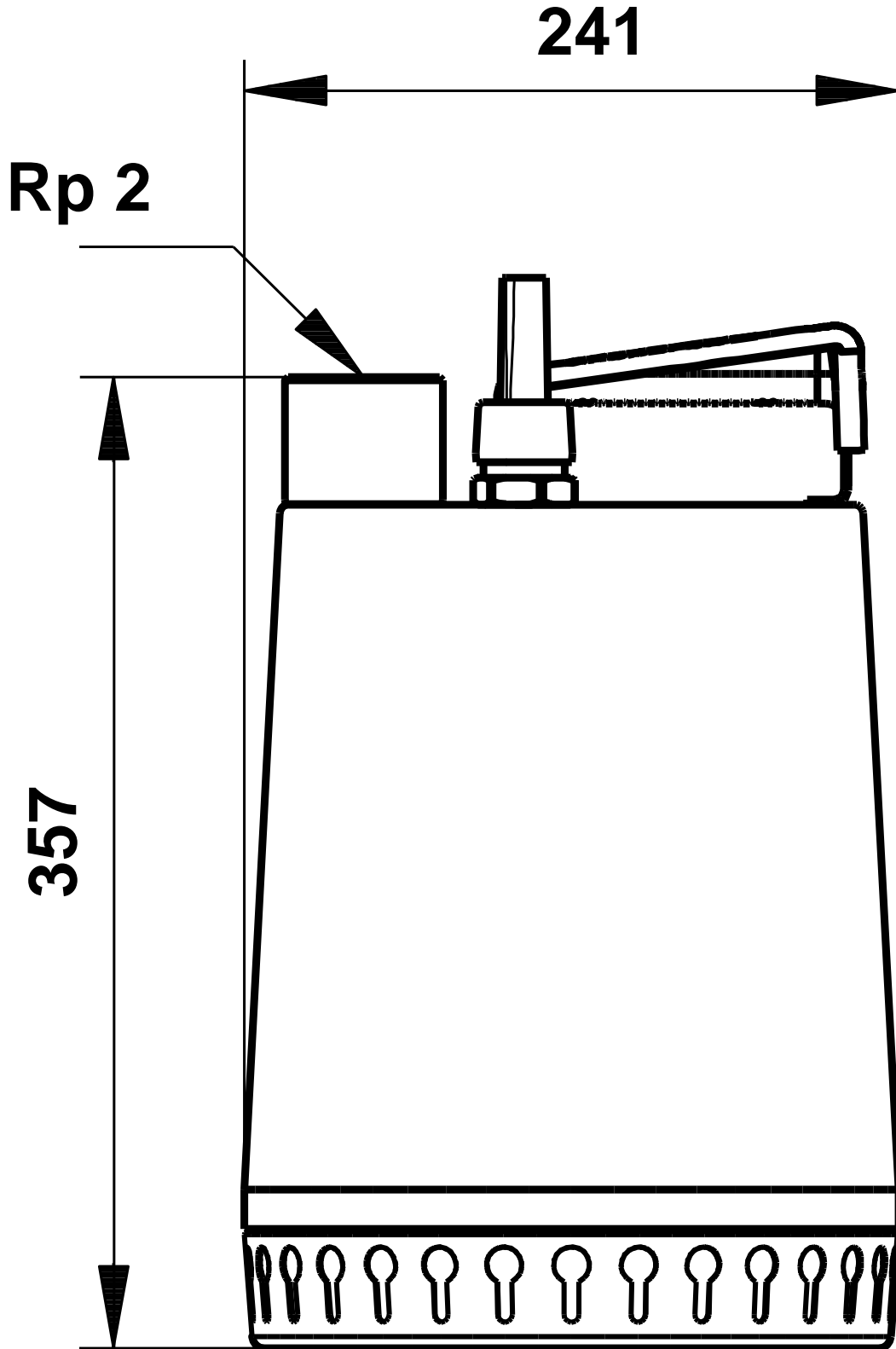
## 96001965 Unilift AP12.50.11.A1 50 Hz



|           |  |                         |
|-----------|--|-------------------------|
| No.:      |  | Unilift AP12.50.11.A1   |
| EAN       |  | 96001965                |
|           |  | 5700390476243           |
|           |  | 5700390476243           |
|           |  | 8.33 l/s                |
|           |  | 17 m                    |
|           |  | 12 mm                   |
|           |  | DIN W.-Nr. 1.4301       |
|           |  | AISI 304                |
|           |  | DIN W.-Nr. 1.4301       |
|           |  | AISI 304                |
|           |  | Rp 2                    |
|           |  | 2 m                     |
|           |  | D/S                     |
|           |  | 0 .. 55 °C              |
|           |  | 998.2 kg/m <sup>3</sup> |
|           |  | PSC                     |
| - 1:      |  | 1.7 kW                  |
| P2:       |  | 1.1 kW                  |
|           |  | 50 Hz                   |
|           |  | 1 x 230 V               |
|           |  | 8.5 A                   |
| Cos phi - |  | 0.92                    |
|           |  | 2760 rpm                |
|           |  | 20 µF/400 V             |
|           |  | (IEC 34-5): IP68        |
|           |  | (IEC 85): F             |
|           |  | 5 m                     |
|           |  | SCHUKO                  |
|           |  | 15 kg                   |
|           |  | 15.5 kg                 |

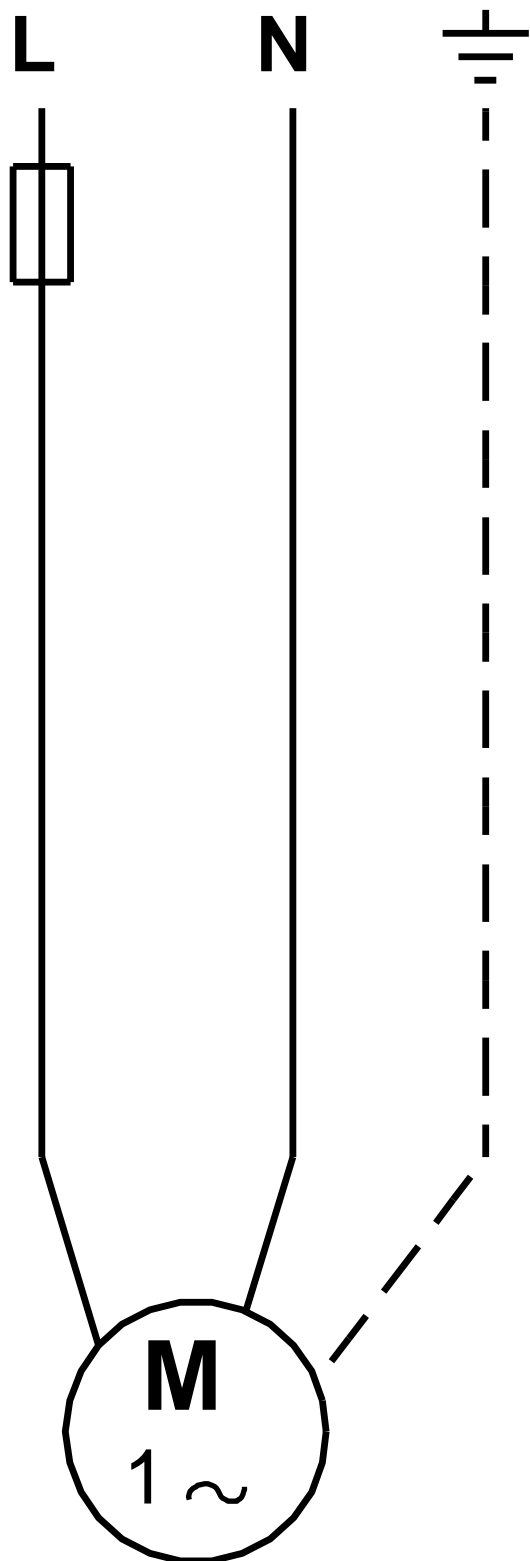


**96001965 Unilift AP12.50.11.A1 50 Hz**



[mm],

**96001965 Unilift AP12.50.11.A1 50 Hz**



! [mm],