

Miniature Linear Guides

Standard Blocks with Dowel Holes, Light Preload / Slight Clearance

= For customers selecting MISUMI original specifications =

frame-surrounded products are compliant with the standard specifications (Stainless Steel, Light Preload, High Grade Type). Select the block from this spec.

Similar Products Comparison Points | MISUMI original specifications with dowel holes. Requires less time for assembly and has better repeatability.

MISUMI Original

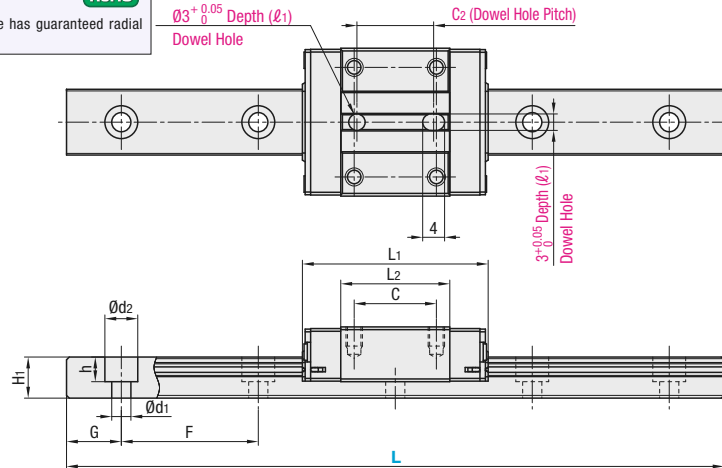
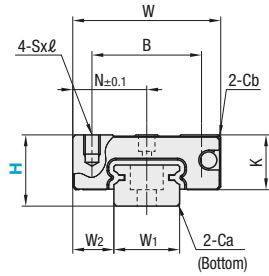


Material	Type		L Dimension	Number of Blocks
	Light Preload High Grade	Slight Clearance Standard Grade		
Stainless Steel 56HRC~	SSEBN	SSEBNZ	Selectable	1
	SSE2BN	SSE2BNZ		2
	SSEBNL	SSEBNLZ	Configurable	1
	SSE2BNL	SSE2BNLZ		2
Carbon Steel 58HRC~	SEBN	SEBNZ	Selectable	1
	SE2BN	SE2BNZ		2
	SEBNL	SEBNLZ	Configurable	1
	SE2BNL	SE2BNLZ		2

Heat Resistant Temperature: -20 ~ 80°C

RoHS

Blocks and rails are not sold as separate items. This Type has guaranteed radial clearances and accuracies as sets of blocks and rails.

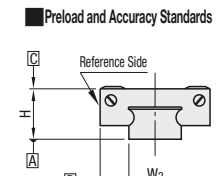


For L Configurable, G dimensions differ from those shown in the table below. For details, see P531.

- Precautions for Use**
 - Blocks are equipped with retainers (wire) to prevent balls from falling off. For how to handle the blocks, see P525.
 - Radial clearances and accuracies are not guaranteed if the blocks and rails are interchanged from the original set combinations.
 - Straight grooves are provided on datum planes. Be sure to match the datum lines when using.
 - Rails cannot be connected end to end.
 - The accuracy of Linear Guides is guaranteed after mounting the rail (after fastening screws on the rail and pushing it onto the datum plane).
 - Minor bending of the rail will be adjusted after being mounted and will not affect the performance.
- Accessory**
 - H8 comes with cap screws (M2x6).
- Others**
 - Filled with Lithium soap based grease (Multemp Grease PS2 by Kyodo Yushi Co., Ltd.).
 - For operating life calculation, see P527.
 - For operating life calculations, use our free calculation software from http://download.misumi.jp/mol/ta_soft.html.

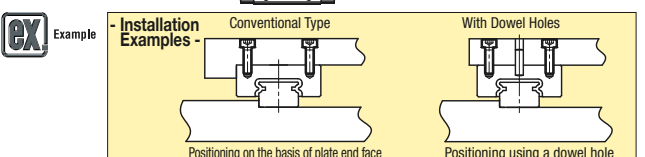
Part Number	Type	H	L	Block Dimension				Dowel Hole Dimensions				Guide Rail Dimension								
				W	L1	B	C	Sxℓ	L2	K	Cb	N	C2 (ℓ1)	W1	W2	H1	Ca	Counterbored Hole d1xd2h	F	G
Stainless Steel Standard Specifications SSEBN SSE2BN SSEBNL SSE2BNL SSEBNZ SSE2BNZ SSEBNLZ SSE2BNLZ	8	40~130 (70)	17	23.6	12	8	M2x2.5	13.6	6.5	0.3	8.5	8	2	7	5	4.7	0.3	2.4x4.2x2.3	15	5
			20	30	15	10	M3x3	19	7.8	0.3	10	10	2.5	9	5.5	5.5	0.3	3.5x6x3.5	20	7.5
	13	45~470 (120)	27	33.9	20	15	M3x3.5	19.9	10	0.5	13.5	14	3	12	7.5	7.5	0.5	3.5x6x4.5	25	10
			32	42.4	25	20	M3x4	27.4	12	0.5	16	20	4	15	8.5	9.5	0.5	3.5x6x4.5	40	15
Carbon Steel SEBN SE2BN SEBNL SE2BNL SEBNZ SE2BNZ SEBNLZ SE2BNLZ	16	70~670 (150)	40	50	30	25	M4x6	34.6	15	0.5	20	25	4	20	10	11	0.5	6x9.5x5.5	60	20
			20	100~700 (160)	40	50	30	25	M4x6	34.6	15	0.5	20	25	4	20	10	11	0.5	6x9.5x5.5

H	Basic Load Rating/Allowable Static Moment			Mass		
	C (Dynamic) Co (Static)	MA	Mb	Block kg	Guide Rail kg/m	kgf=Nx0.101972
8	0.9	1.5	4.1	4.1	5.2	0.01
10	1.5	2.5	5.1	5.1	10.2	0.02
13	2.2	3.3	8.8	9.5	16.1	0.04
16	3.6	5.4	21.6	23.4	39.6	0.06
20	5.2	8.5	48.4	48.4	86.4	0.12



Specifications	Light Preload, High Grade	Slight Clearance, Standard Grade
Radial Clearance	-3~0	0~+15
Height H Tolerance	±20	±20
Pair Variation of Height H	15	40
Width W2 Tolerance	±25	±25
Pair Variation of Width W2	20	40
Running Parallelism of Plane C against Plane A	See P525	
Running Parallelism of Plane D against Plane A	See P525	

Slight Clearance Type has clearance (Gap) between rails and blocks. If precision / rigidity is required, select Light Preload Type.



H	L	Unit Price																				
		Stainless Steel				Carbon Steel																
		High Grade	Standard Grade	High Grade	Standard Grade	High Grade	Standard Grade	High Grade	Standard Grade													
8	40																					
	55																					
	70																					
	85																					
	100																					
	115																					
	130																					
	145																					
	160																					
	175																					
10	195																					
	215																					
	235																					
	255																					
	275																					
	295																					
	320																					
	345																					
	370																					
	395																					
13	420																					
	445																					
	470																					
	500																					
	530																					
	560																					
	590																					
	620																					
	650																					
	16	670																				
700																						
730																						
760																						
790																						
820																						
850																						
880																						
910																						
20		940																				
	970																					
	1000																					
	1030																					
	1060																					
	1090																					
	1120																					
	1150																					
	1180																					

Ordering Example

Part Number - L

SSEBN10 - 275

SSE2BNL10L - 100 (L Type Greased)

SSE2BNL10G - 100 (G Type Greased)

Alternative grease types available.

P531

Alterations

Part Number - L - (MC, RLC, LLC, B3, B4)

SSEBN16 - 430 - MC

Alterations	Code	Spec.
Tapped Hole	MC	Changes the rail mounting holes from counterbored holes to tapped holes.
Rail End Cut	LLC	Cuts rail ends. Ordering Code LLC
Rail is cut with the product ID facing out (datum on other side).	RLC	Applicable to Selectable Type only. Overall length will be shorter by cutting. Not applicable to H8, 20. Not applicable to L35 of H10 and L45 of H13.
3-Block Specifications	B3	Add 2 blocks to 1-block product to ship as 3-block separate item. There are restrictions for the L dimension length. See "Selectable Shortest Rail Length" for details. Selection Example: SSEBNL10-200-B3
4-Block Specifications	B4	Add 3 blocks to 1-block product to ship as 4-block separate item. There are restrictions for the L dimension length. See "Selectable Shortest Rail Length" for details. Selection Example: SEBNL16-600-B4

H	B3: Price Adder		B4: Price Adder		Selectable Shortest Rail Length for B3/B4	
	Stainless Steel	Carbon Steel	Stainless Steel	Carbon Steel	H (3-block)	B4 (4-block)
8					8	115
10					10	155
13					13	170
16					16	230
20					20	280

Options for Linear Guide

Position Retaining Parts

Rail Push Plates

Rail Height Adjusting Blocks

Linear Lock

Block Derailment Prevention Parts

Linear Guide Lock Units

Stopper Bolts

L Dimension Configurable Type (1mm Increment)

H	Unit Price																					
	Stainless Steel				Carbon Steel																	
	High Grade	Standard Grade	High Grade	Standard Grade	High Grade	Standard Grade	High Grade	Standard Grade														
8																						
10																						
13																						
16																						
20																						

For calculation of L Dimension Configurable Type (1mm Increment), add the above amount to the unit price of the Selectable Type longer than, and closest to this L Dimension Configurable Type.