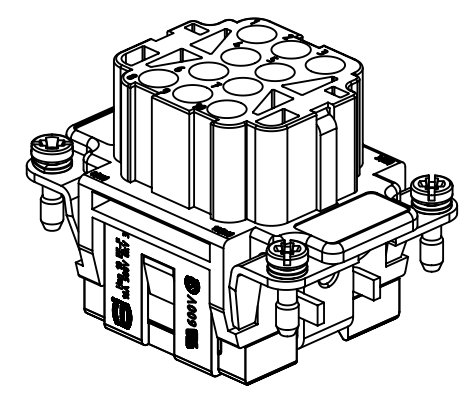
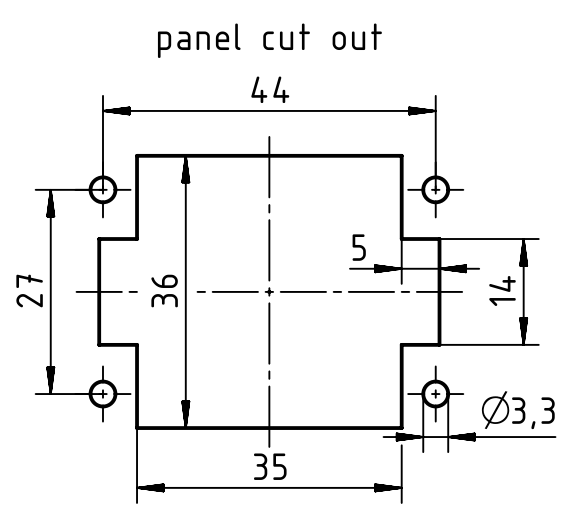
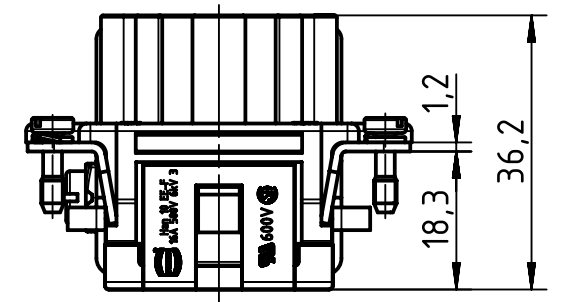
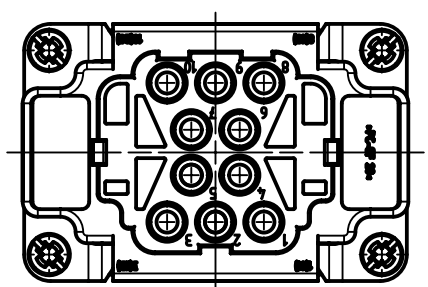
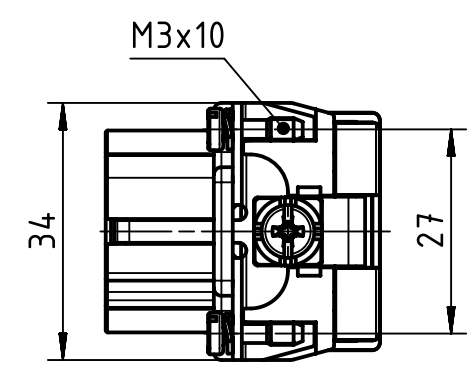
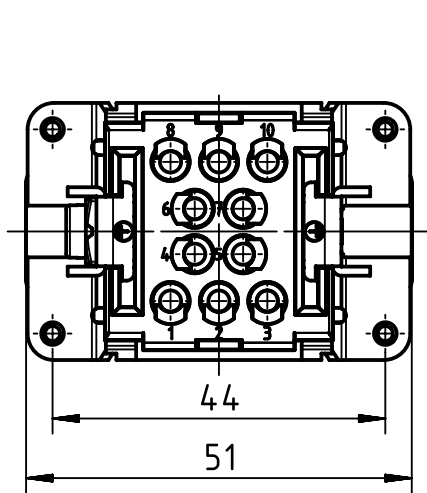


1 2 3 4 5 6

A
B
C
D



	All Dimensions in mm Original Size DIN A4		Scale 1:1	Free size tol.		Ref.		
			Created by VOLAR	Inspected by PRIESTER	Standardisation TIEMANNA	Date 2016-07-13	State Final Release	
		All rights reserved Department EL PD - DE	Title Han EE 10 Pos. Insert Female Crimp				Doc-Key / ECM-Nr. 100218067/UGD/006/B 500000096799	
HARTING Electric GmbH & Co. KG D-32339 Espelkamp		Type TB	Number 09 32 010 3101			Rev. B	Page 1/1	