



ALL METAL isolator

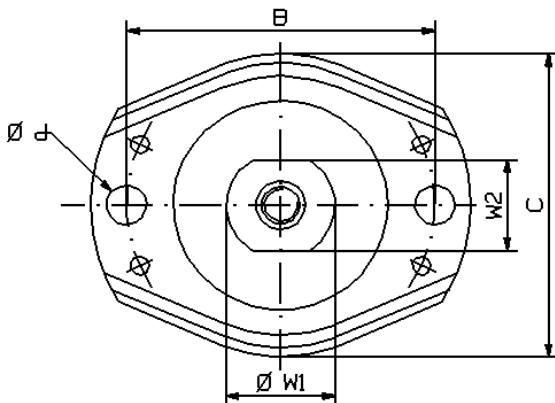
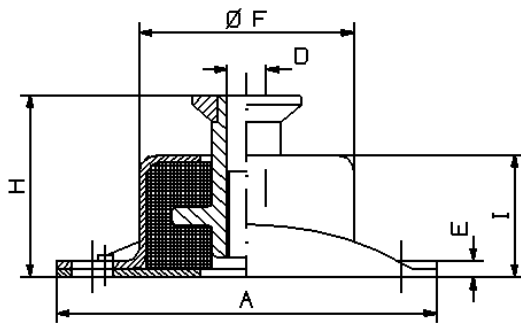
Description

Resilient elements made of 18/8 stainless steel wire, stud in aluminium, casing and flange in steel.
Protection: paint.

Weights: V5651: 0,8 kg
V5652: 0,8 kg
V5653: 1,7 kg.

Characteristics

A series of isolators with equifrequency character;
15-20 Hz for the recommended load range.
May work under compression or tension.
Maximum excitation amplitude: $\pm 0,3$ mm.
Amplification factor: < 6 .
Temperature range: -90 °C to $+300$ °C.
Maximum load corresponding to a continuous acceleration of 2 g.



Ref.	Load range in daN (\approx kg)
V5651	100 - 300
V5652	200 - 700
V5653	500- 1500

Applications

Suspension of machine tools in general, especially crushing machines, grinding mills.
Elastic suspension of exhaust pipes, motors, pumps etc. on ships and vehicles.
Rotating machines operating above 30 Hz.

Note

For larger loads, refer to isolators V5654, V318.

Ref.	A	B	C	D	E	F	H	I	W1	W2	d
V5651	121	99	100	M 12	6	70	56	40.5	25	22	13
V5652	121	99	100	M 12	6	70	56	40.5	25	22	13
V5653	173	141	135	M 16	7	96	64	46	34	28	17