



KIT LUBE



PUMPS



METERS



NOZZLE METERS



NOZZLE



WASTE OIL EQ.

DEPUROIL

FEATURES

- IDEAL FOR DIALYSIS OF OIL
- COMPACTNESS
- SILENT
- CLOGGING INDICATOR
- 5 METERS OF CABLE
- SPIRAL TUBES

EN.

The Piusi DEPUROIL is an immediate mobile filtering unit, the easiest solution to a single step filtration suitable for any kind of tank. It includes the Piusi Viscomat Vane pump, suitable for low/medium viscosity lubricants.

PERFORMANCE

up to
50 L
(up to 13 gpm)
TANK CAPACITY

continuous in
AC 230 V
operation
VOLTAGE



DEPUROIL

PACKAGING

CODE	WEIGHT		PACKAGING			
	KG	LBS	MM	INCH	PCS/PALLET	PCS/BOX
00050300A	28	61,7	600X290X300	23,6X11,4X11,8		1
FO050302C	28	61,7	600X290X300	23,6X11,4X11,8		1



FILTERING



OIL MONITORING



HOSE REEL



ACCESSORIES



MERCHANDISE



AIR



ANTIFREEZE



BIODIESEL



DIESEL



FOOD



GASOLINE



GREASE



KEROSENE



OIL



AdBlue®

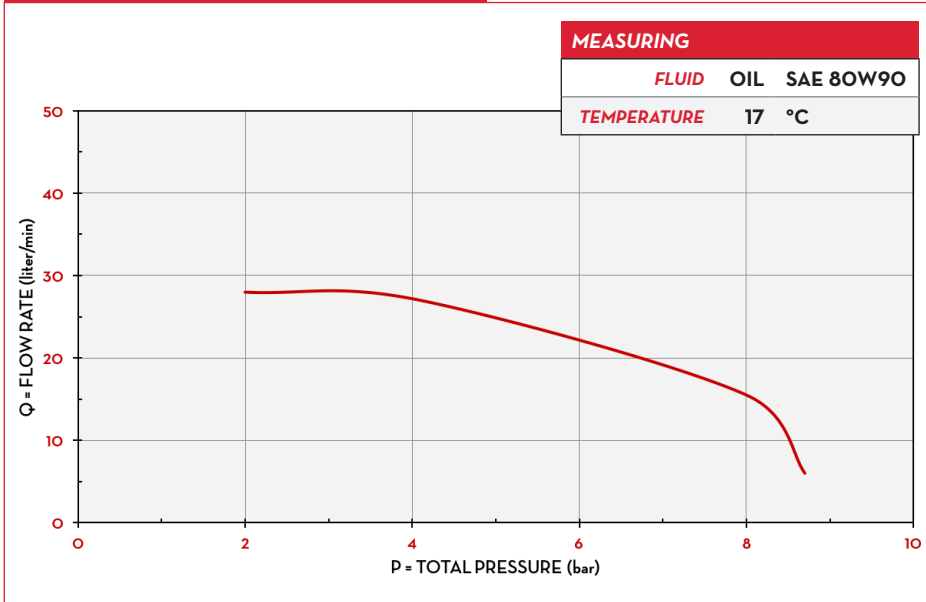


WATER



WINDSCREEN

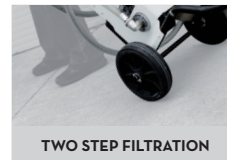
CHARTS



IN THE BOX

- DEPUROIL
- FILTER CARTRIDGE
- SUCTION HOSE
- DELIVERY HOSE
- INSTRUCTION MANUAL

DETAILS



TWO STEP FILTRATION

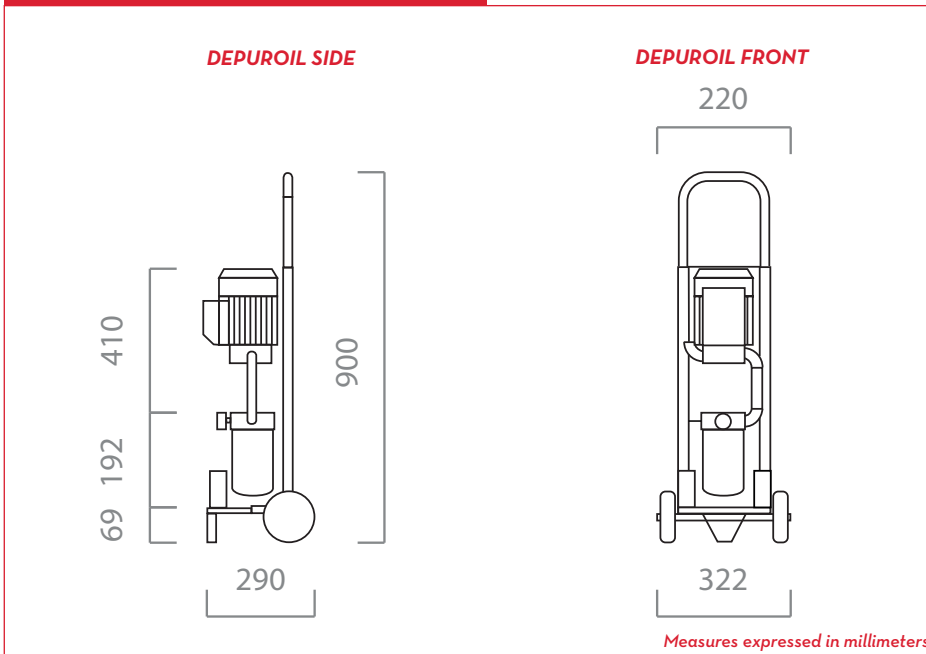


STURDY STRUCTURE



LARGE DIAMETER WHEELS

DIMENSIONS



MATERIALS

- BODY: CAST IRON
- ROTOR: SINTERED STEEL
- VAINS: TECHNOPOLYMER
- SHAFT: STEEL
- FILTER: ABSORBENT FILTERING PAPER

TECHNICAL DATA

CODE	DESCRIPTION	FLUIDS TYPE	FLOW RATE		VOLTAGE			PUMP TYPE	HOSE LENGTH		FILTERING CAPACITY M_u
			L/MIN	GPM	AC V./HZ DC VOLT	POWER WATT	AMP. MAX.		DELIVERY M/FT	SUCTION M/FT	
00050300A	DEPUROIL M 230/50		20-25	5,28-6,6	230/50	1350	6,2	VISCOMAT 70	2 / 6,5	2 / 6,5	10
FO050302C	DEPUROIL 110/50-120/660		25	6,6	110/50-120/60	820/850	10-9	VISCOMAT 70	2 / 6,5	2 / 6,5	10
FO0503100	DEPUROIL 60		50	13	230/50	1350	6,2	VISCOMAT 90	2	2	10

DEPUROIL

FILTERING

123