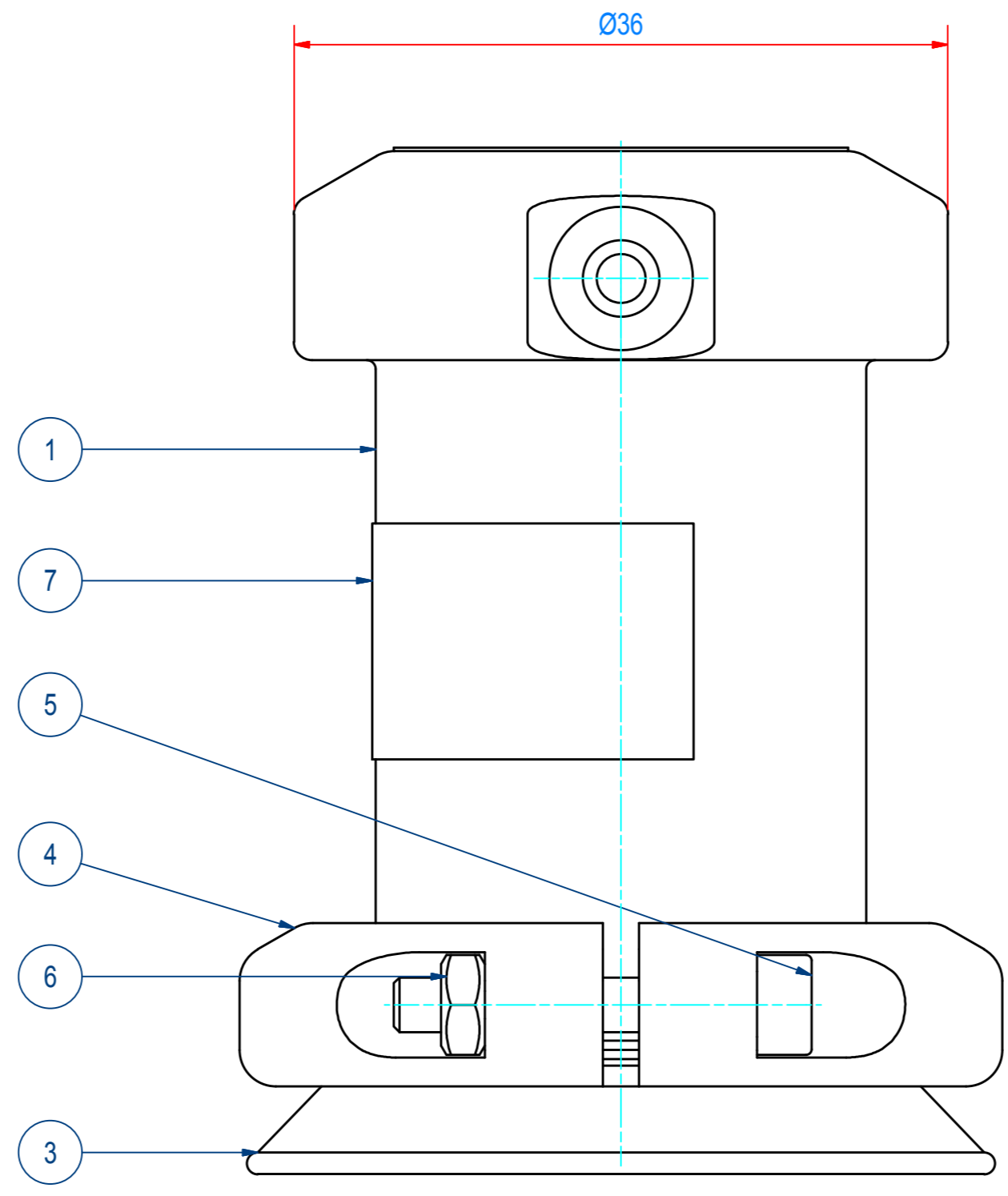
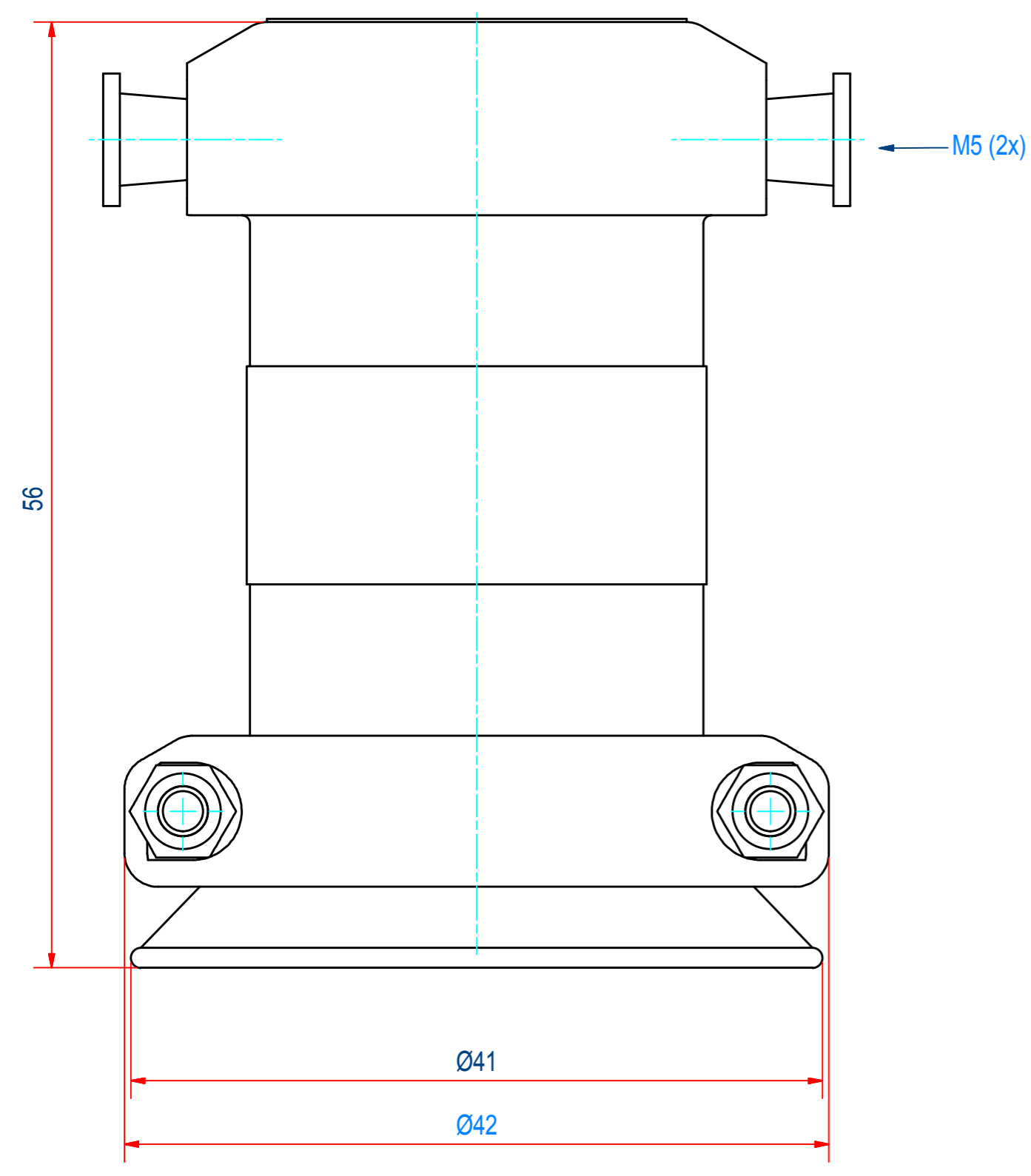
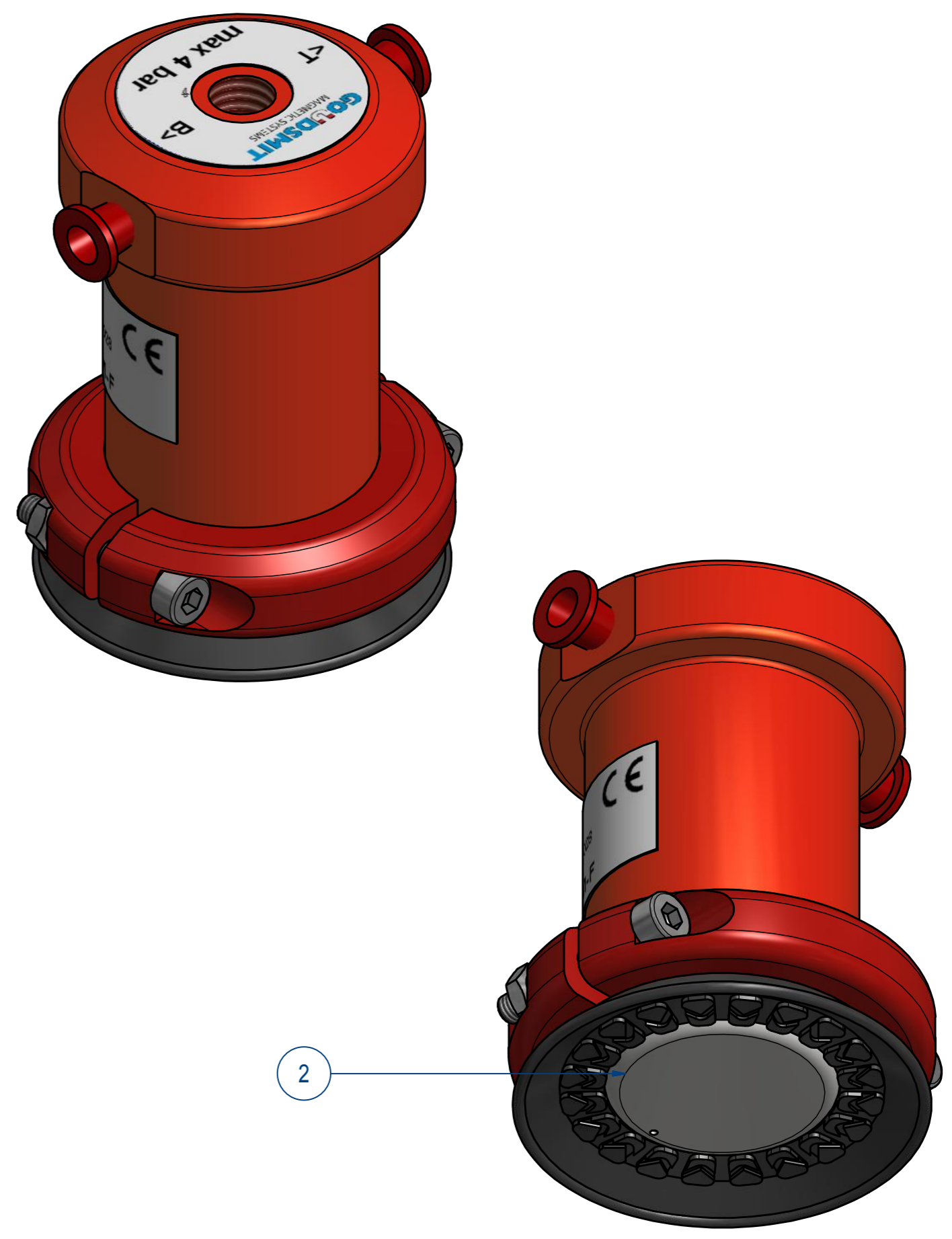
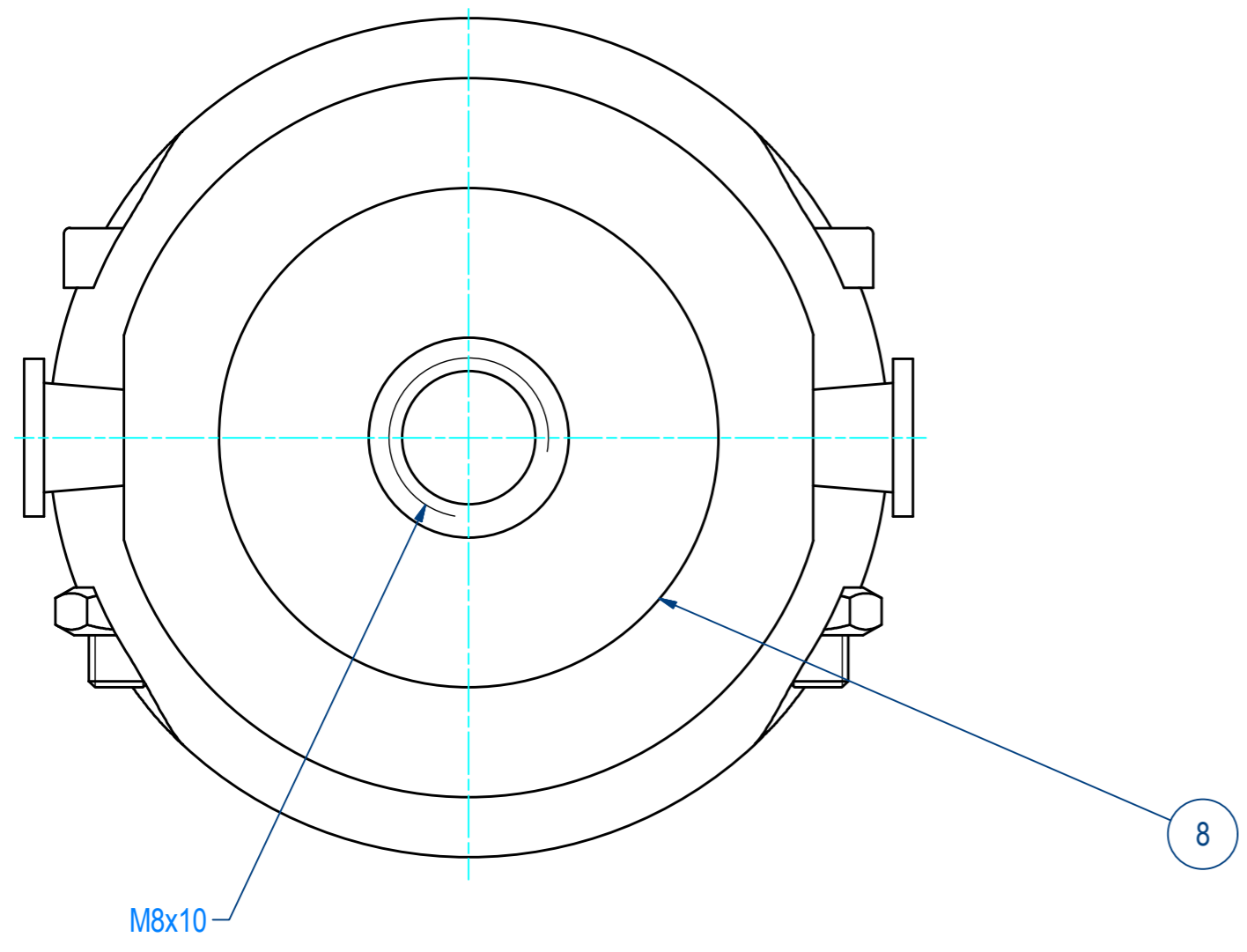


REV	DATE	BY	DESCRIPTION
-	9-10-2013	BS	NEW VAULT, NOTHING CHANGED, IS EQUAL TO OLD REVISION B



ITEM	QTY	PART NUMBER	DESCRIPTION	Dimensions
8	1	E0038131	STICKER TOP D40 d = 25 mm	
7	1	E0037940	STICKER TPMV040028	
6	2	60.0100003	NUT, HEX M3 - St8 Zn	M3
5	2	51.0103020	SCREW, HEX SH M3 x 20 - St8.8 Zn	M3 x 20
4	2	M35641	CLEAT TP040	
3	1	M35639	VACUUM PAD TPMV040	
2	1	M35648	BOTTOM COVER TP040 VACUUM HOLE	
1	1	M35647	MOUNTING ASSY TP--040028	

RAW MAT.	QTY	MAT. NUMBER	MAT. DESCRIPTION	LENGTH (mm)	WIDTH (mm)
⊕	1				

Sheet: A2	Extra info:	General tolerance: ISO 2768 - mK
Drawn: BS	Weight (kg): 0,1	Drawn according: ISO268; ISO1101; ISO2553
Date: 9-10-2013		Status: Standard
Spare part: False		Customer reference number:
Quick search: TPMV040	© All rights reserved. Reproduction is not permitted without written permission of GOUDSMIT Magnetic Systems BV	File number: TPMV040028
Description: HGC-RO-040-VR-R-M-F		Part number: TPMV040028