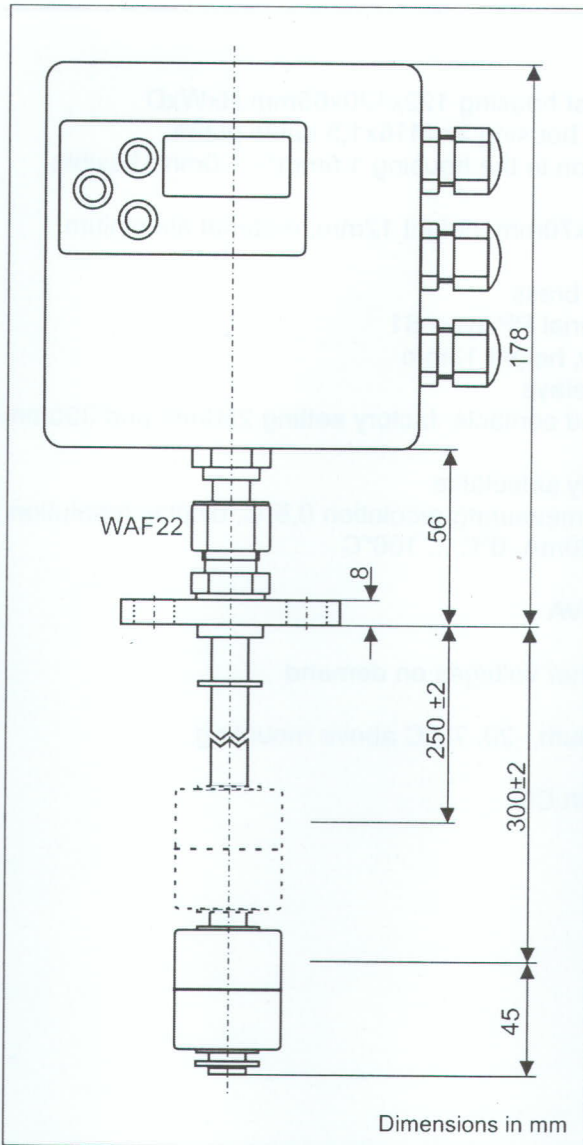


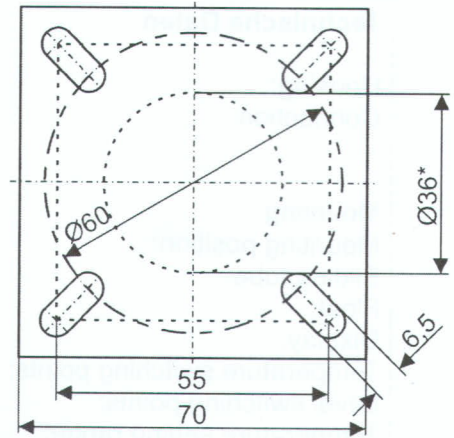
Data sheet

Adjustable Temperature Switch With Actual Value Indicator and Float Switch

Type: ETSM-4.17.A4.B4.250.300.7 part no.: G110451



Drilling pattern



* Float through hole

Order key

ETSM-4.17.SPA4=250.SPB4=300.7

Type ETSM-4

17 = Option with ...
3x Temperature change-over relays
2x Level switching points
1x Temp. analogue output 4-20mA

Level switching points (SP...)

A - Contact at the top
B - Contact (designation with 1 contact)
Function

- 1 - Closes on level rise
- 2 - Opens on level rise
- 3 - Closes on level drop
- 4 - Opens on level drop
- 5 - Changeover contact

Switching point in mm
Switching point-A: SPA4=250
Switching point-B: SPB4=300

7 = Design 7

Terminal plan

