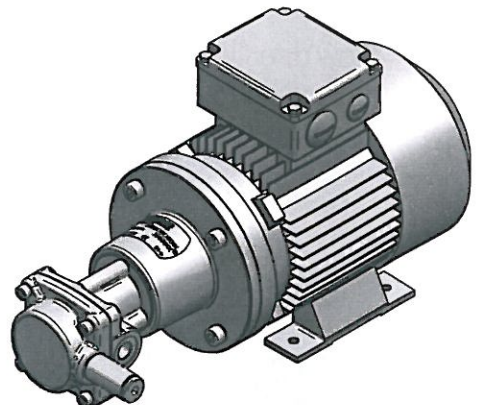
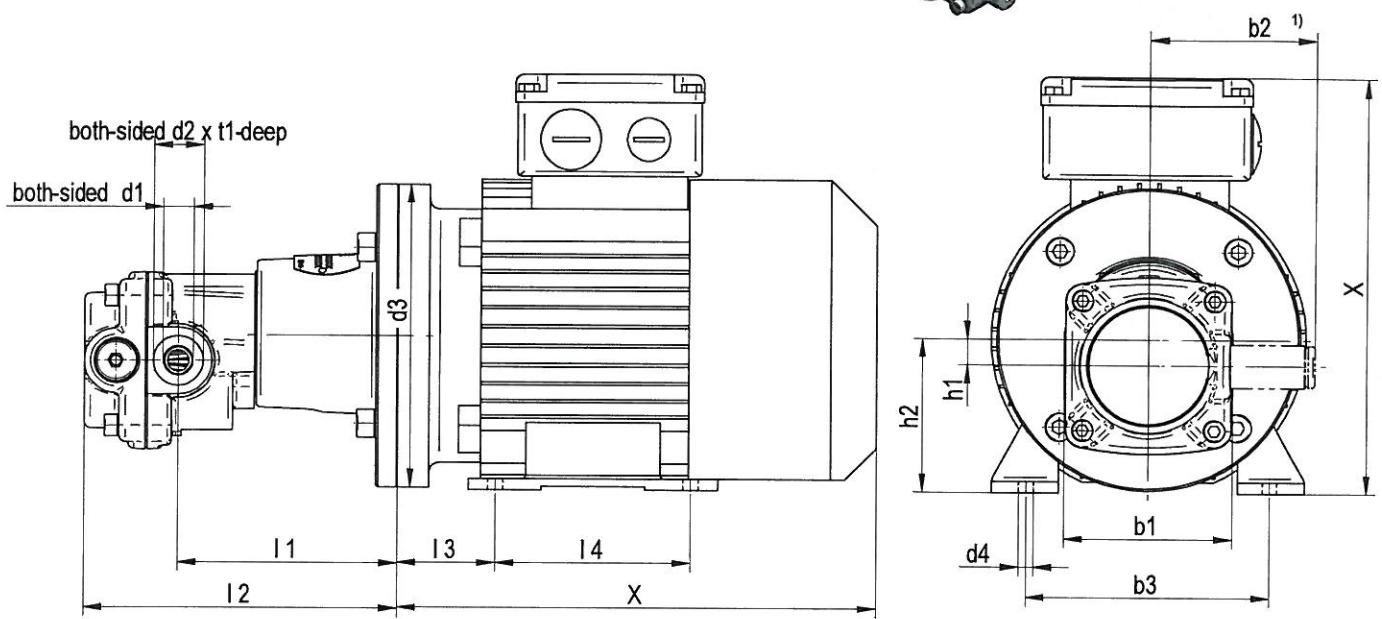


Electric Gear Pump 51 - 551 F./M..



X = manufacturer-specific



Size	d1	d2	d3	d4	b1	b2 ¹⁾	b3	l1	Flow variations		l3	l4	h1	h2	t1	suitable norm motor size IMB 14/34					
									l2 ²⁾ A	B						Motor size	Flange	P (kW)	Wt. ³⁾ (kg)	Fr. ⁴⁾ (l/min)	p ⁵⁾ (bar)
51	G 1/4	19	120	7	58	57,3	100	85	118	119	40	80	9,1	63	0,8	63	120	0,18	7,6	2,3	22
			112				90	123	124	45	90	71				140	0,37	9,1	2	30	
76	G 1/4	19	120	7	58	57,3	100	85	118	119	40	80	9,1	63	0,8	63	120	0,18	6,8654	3,2	16
			112				90	123	124	45	90	71				140	0,37	8,6	2,5	30	
101	G 3/8	23	140	7	77	76,5	112	101	144	144	45	90	12,1	80	0,8	71	140	0,37	9,7219	4,2	24
			125				111	154	154	50	100	80				160	0,75	21,6	3,8	30	
151	G 3/8	23	140	7	77	76,5	112	101	144	144	45	90	12,1	71	0,8	71	140	0,37	9,7105	6,9	17
			125				111	154	154	50	100	80				160	0,75	21,558	5,9	30	
251	G 1/2	27	140	9	91	85,5	112	117	167	167	45	90	15,15	80	0,8	71	140	0,37	11,8	15,2	5
			125				137	187	187	50	100	80				160	0,75	22,8712	14,5	14	
351	G 3/4	33	160	9	106,5	99	125	143	199	206	50	100	19	80	0,3	80	160	0,75	26,5121	29	7
			140				153	209	216	56	125	90				100L	1,5	25	27,1	17	
451	G 1	40	160	12	130,6	120	125	153	215	224	50	100	22,7	90	0,3	80	160	0,75	23,3	44,4	3
			140				163	225	234	56	125	90L				1,5	26,7236	43,2	10		
551	G 1 1/4	50	160	12	130,6	120	160	183	245	254	63	140	22,7	100	0,3	100L	160	1,5	54,0375	39,7	30
			180				183	270	279	56	125	90L				1,5	40	70	5		
							190	183	270	279	63	140				100L	3	42,1661	68,3	14	
							190	183	270	279	70	140				112L	4	56,4106	67,1	20	

1) Dimension only applies to versions with pressure relieve valve

2) Dimension only applies to versions without pressure relieve valve

3) Maximum weight in kg

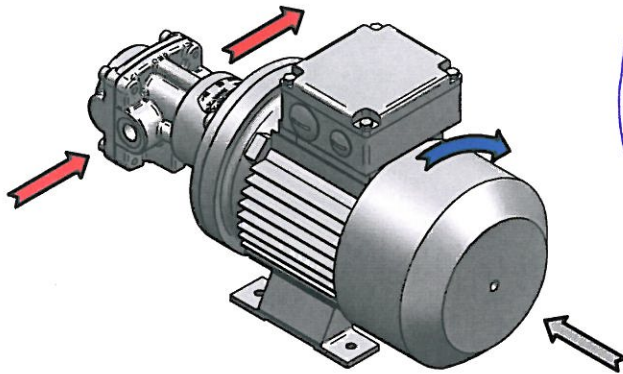
4) Flow rate at a speed of 1450 rpm; 50 mPas Media viscosity and max. possible differential pressure according to 5)

5) Maximum possible differential pressure with The installed motor power

Electric Gear Pump 51 - 551 F../M..

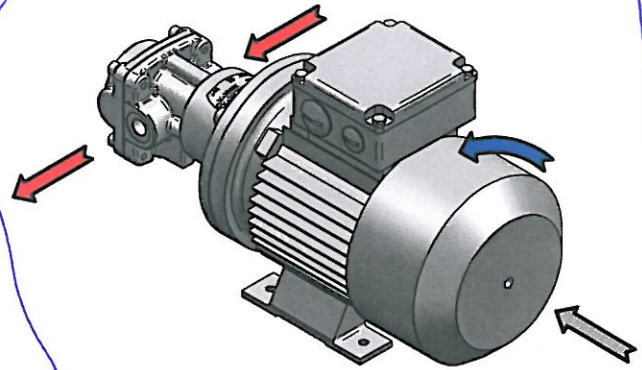
Flow direction and port location is determined by pump model type and direction (blue arrow); facing shaft end of each pump (gray arrow)

Pump Model FA/M...



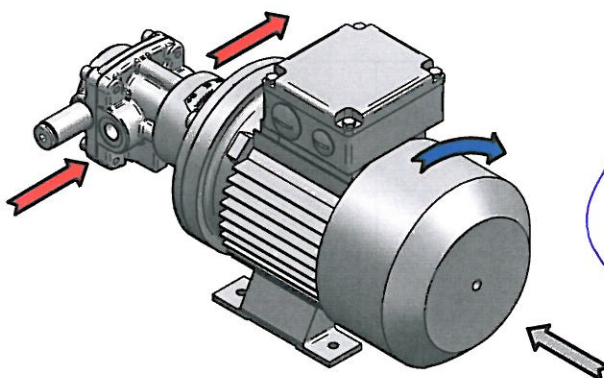
Clockwise rotation
suction left
discharge right

Pump Model FAL/M...



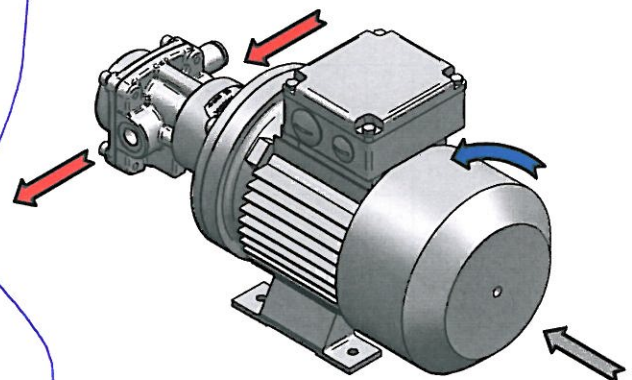
Counter clockwise rotation
suction right
discharge left

Pump Model FB/M...



Clockwise rotation
suction left
discharge right

Pump Model FBL/M...



Counter clockwise rotation
suction right
discharge left

The built-in by-pass relief valve on model B pumps is always located on the suction side of the pump.