

## **Seco**

### **SV 1004-1140**



Model SV 1025

#### **Description**

Seco SV rotary vane vacuum pumps are oil-less vacuum pumps that require virtually no routine maintenance due to the use of sealed-for-life ball bearings and dry-running, self-lubricating, carbon vanes.

These vacuum pumps are ideal for industrial processes which require oil-free compression and a small installation footprint. Their compact design is ideal for installation inside machinery.

#### **Economical**

Seco vacuum pumps stand out due to their low energy consumption. They are quiet and environmentally friendly because no lubrication fluids are required for compression.

#### **Low in maintenance**

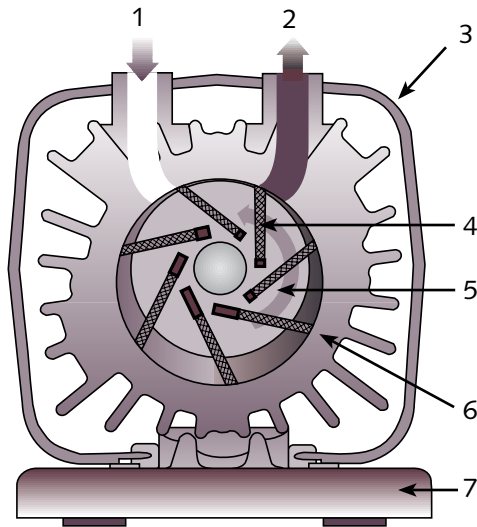
A robust design, lifetime lubricated bearings, special carbon vanes, and the air-cooled motor provide for a long service life of this pump.

#### **Features**

- Easy to install
- 100% oil-free air
- Quiet operation
- Extra long-life carbon vanes
- Low maintenance
- Discharge muffler

# Dry Rotary Vane Vacuum Pump

## Operating Principle



- 1 Inlet
- 2 Discharge
- 3 Housing
- 4 Vane
- 5 Rotor
- 6 Cylinder
- 7 Base

## Operating Principle

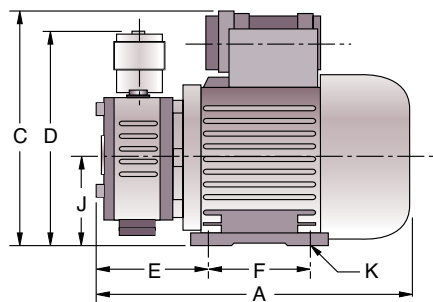
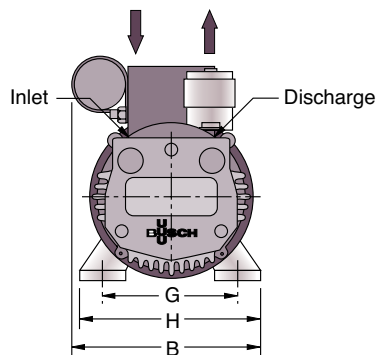
Seco vacuum pumps operate according to the proven rotary vane principle without using additional sealing fluids for lubrication. These vacuum pumps compress almost without pulsation and are completely oil-free. An efficient fan guarantees good heat removal from the motor and pump.

Rotation of the pump rotor traps entering vapor between rotor vane segments. As rotation continues, vapor is compressed and discharged to atmosphere.

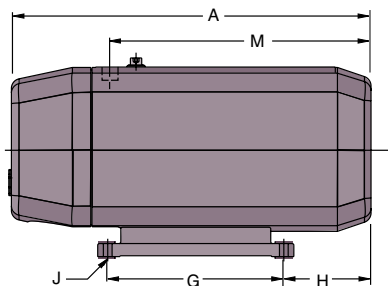
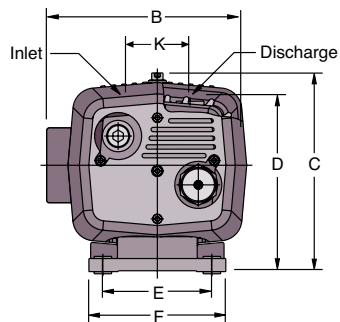
## Applications

- Material handling and lifting systems
- Clamping devices
- Pick and place
- Packaging
- Printing industry
- Electrical engineering/electronics
- Research and laboratory
- Medical
- Sampling
- Hold down
- Holding

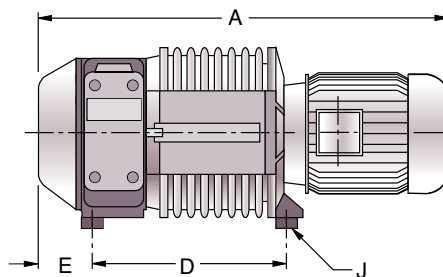
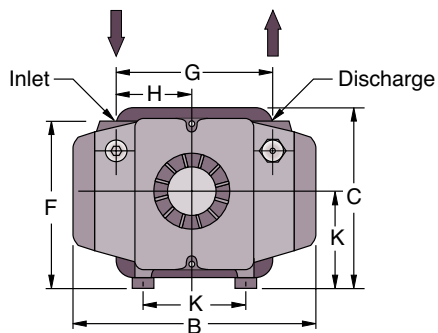
Dimensions



Dimensions	A	B	C	D	E	F	G	H	J	K	Inlet
SV 1004 (in.)	10	6	7 <sup>1/2</sup>	7 <sup>3/4</sup>	3 <sup>1/2</sup>	3 <sup>9/16</sup>	4 <sup>7/16</sup>	5 <sup>9/16</sup>	2 <sup>3/4</sup>	9 <sup>9/32</sup>	3 <sup>3/8</sup> " NPT
SV 1006 (in.)	11 <sup>5/8</sup>	6	7 <sup>3/4</sup>	6 <sup>3/4</sup>	5 <sup>3/8</sup>	3 <sup>9/16</sup>	4 <sup>7/16</sup>	5 <sup>9/16</sup>	2 <sup>3/4</sup>	9 <sup>9/32</sup>	3 <sup>3/8</sup> " NPT

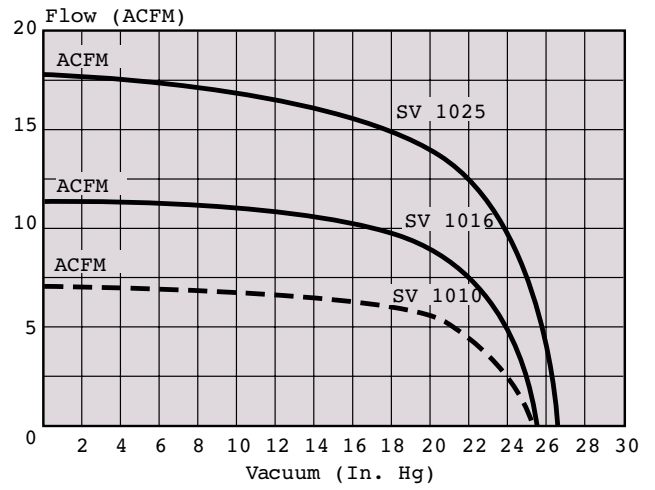
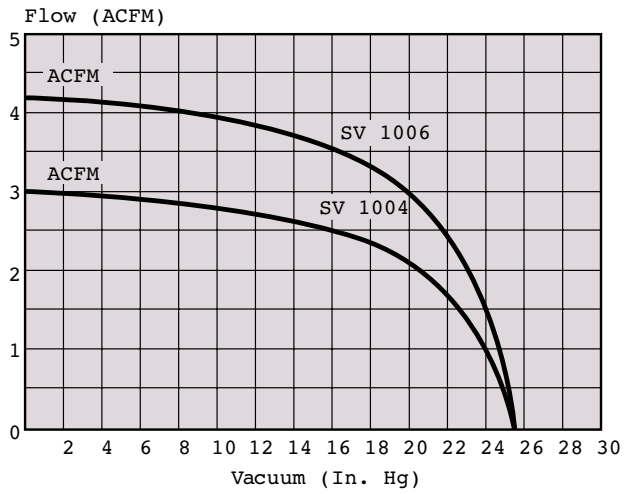


Dimensions	A	B	C	D	E	F	G	H	J	K	M	Inlet	Discharge
SV 1010 (in.)	16 <sup>1/4</sup>	9 <sup>5/8</sup>	9 <sup>1/16</sup>	7 <sup>13/16</sup>	4 <sup>15/16</sup>	6 <sup>3/16</sup>	7 <sup>15/16</sup>	3 <sup>15/16</sup>	M6	2 <sup>15/16</sup>	9	1 <sup>1/2</sup> " NPT	1 <sup>1/2</sup> " NPT
SV 1016 (in.)	17 <sup>1/8</sup>	9 <sup>5/8</sup>	9 <sup>1/16</sup>	7 <sup>13/16</sup>	4 <sup>15/16</sup>	6 <sup>3/16</sup>	7 <sup>5/16</sup>	3 <sup>15/16</sup>	9mm	2 <sup>15/16</sup>	9	1 <sup>1/2</sup> " NPT	1 <sup>1/2</sup> " NPT
SV 1025 (in.)	19 <sup>1/2</sup>	9 <sup>1/2</sup>	11	8 <sup>3/4</sup>	4 <sup>15/16</sup>	6 <sup>3/16</sup>	8	4 <sup>5/16</sup>	9mm	3 <sup>1/8</sup>	13 <sup>1/2</sup>	3 <sup>3/4</sup> " NPT	3 <sup>3/4</sup> " NPT
SV 1040 (in.)	21 <sup>7/16</sup>	9 <sup>1/2</sup>	11	8 <sup>3/4</sup>	8 <sup>3/16</sup>	9 <sup>7/16</sup>	85/8	6 <sup>1/16</sup>	9mm	3 <sup>1/8</sup>	15 <sup>1/16</sup>	3 <sup>3/4</sup> " NPT	3 <sup>3/4</sup> " NPT



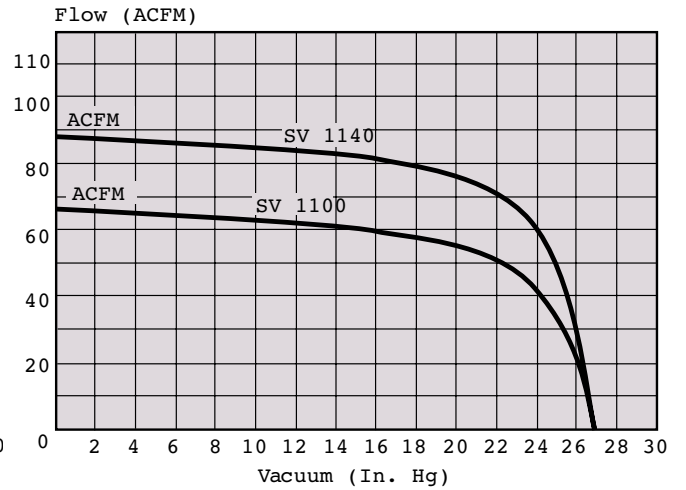
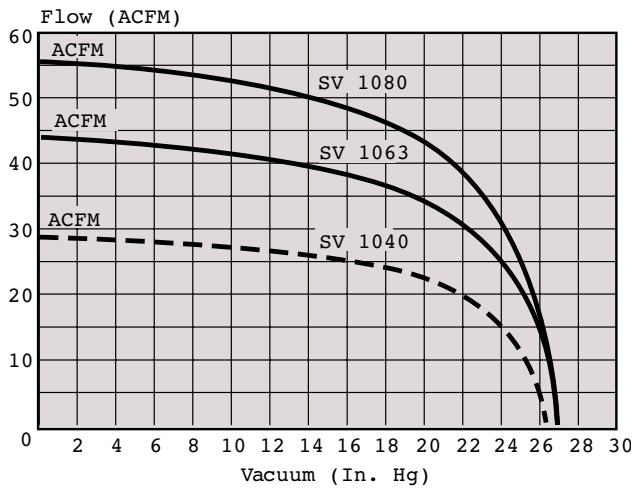
Dimensions	A	B	C	D	E	F	G	H	J	K	Inlet	Discharge
SV 1063 (in.)	29 <sup>3/4</sup>	16 <sup>7/8</sup>	13 <sup>3/8</sup>	13 <sup>3/8</sup>	3 <sup>11/16</sup>	11 <sup>3/8</sup>	10 <sup>1/8</sup>	4 <sup>13/16</sup>	M8	9 <sup>1/16</sup>	1 <sup>1/4</sup> " NPT	1 <sup>1/4</sup> " NPT
SV 1080 (in.)	31	16 <sup>7/8</sup>	13 <sup>3/8</sup>	13 <sup>3/4</sup>	4 <sup>7/16</sup>	11 <sup>3/8</sup>	10 <sup>1/8</sup>	4 <sup>13/16</sup>	M8	9 <sup>1/16</sup>	1 <sup>1/4</sup> " NPT	1 <sup>1/4</sup> " NPT

## Technical Data



Models		SV 1004	SV 1006	SV 1010	SV 1016	SV 1025
Nominal pumping speed	ACFM	3.0	4.2	7	11.2	17.5
End vacuum	"Hg	25 1/2	25 1/2	25 1/2	25 1/2	26 3/8
Motor size	kW	0.2	9.3	0.37	0.55	0.90
Weight	Lbs.	22	24	42	46	57
Sound level rating*	dBA	56	60	60	63	67

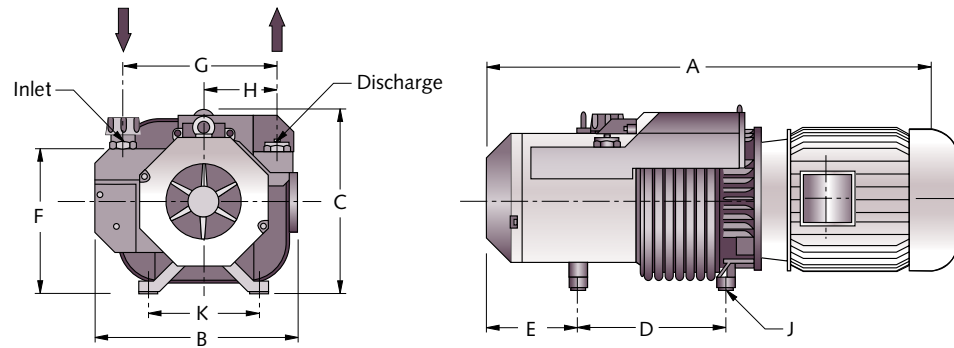
\*DIN54635



Models		SV 1040	SV 1063	SV 1080	SV 1100	SV 1140
Nominal pumping speed	ACFM	28	44	56	66	88
End vacuum	"Hg	27	27	27	27	27
Motor size	kW	1.25	2.2	3	4	5.5
Weight	Lbs.	84	174	196	270	304
Sound level rating*	dba	70	70	72	76	77

\*DIN54635

## Dimensions



Dimensions	A	B	C	D	E	F	G	H	J	K	Inlet	Discharge
SV 1100 (in.)	33 <sup>1</sup> / <sub>8</sub>	14 <sup>3</sup> / <sub>16</sub>	13 <sup>3</sup> / <sub>4</sub>	12 <sup>3</sup> / <sub>16</sub>	7 <sup>1</sup> / <sub>4</sub>	11 <sup>1</sup> / <sub>16</sub>	10 <sup>1</sup> / <sub>4</sub>	5 <sup>1</sup> / <sub>8</sub>	M10	9 <sup>7</sup> / <sub>16</sub>	1 <sup>1</sup> / <sub>4</sub> " NPT	1 <sup>1</sup> / <sub>4</sub> " NPT
SV 1140 (in.)	36 <sup>3</sup> / <sub>4</sub>	16 <sup>3</sup> / <sub>4</sub>	15 <sup>1</sup> / <sub>4</sub>	12 <sup>3</sup> / <sub>16</sub>	7 <sup>1</sup> / <sub>2</sub>	11 <sup>7</sup> / <sub>8</sub>	12 <sup>3</sup> / <sub>16</sub>	6 <sup>1</sup> / <sub>8</sub>	M8	9 <sup>7</sup> / <sub>16</sub>	1 <sup>1</sup> / <sub>4</sub> " NPT	1 <sup>1</sup> / <sub>4</sub> " NPT

**Busch - all over the world in industry**

ISO 9001-2000 Registered Company

**Busch, LLC 516 Viking Drive Virginia Beach, VA 23452**  
**Phone (757) 463-7800 FAX (757) 463-7407**

**www.buschusa.com**  
**1-800-USA-PUMP**

Amsterdam Barcelona Birmingham Basel Brussels Dublin Göteborg Helsinki Istanbul Copenhagen Kuala Lumpur Milan Maulburg Melbourne Montreal Moscow  
 New York New Plymouth Oslo Paris San Jose São Paulo Seoul Singapore Taipei Tokyo Vienna