

SH. 1
OF 1

CAT NO

657C

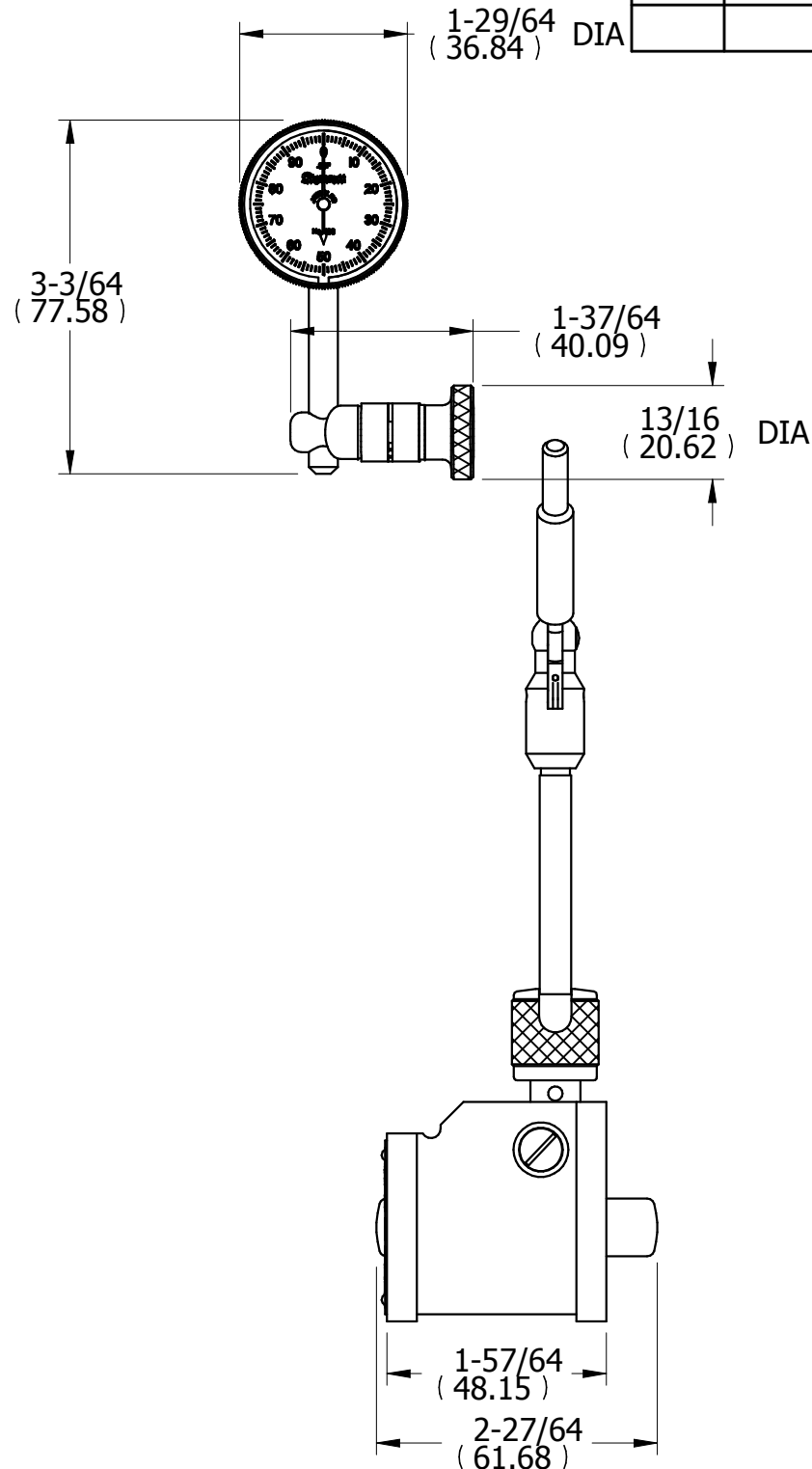
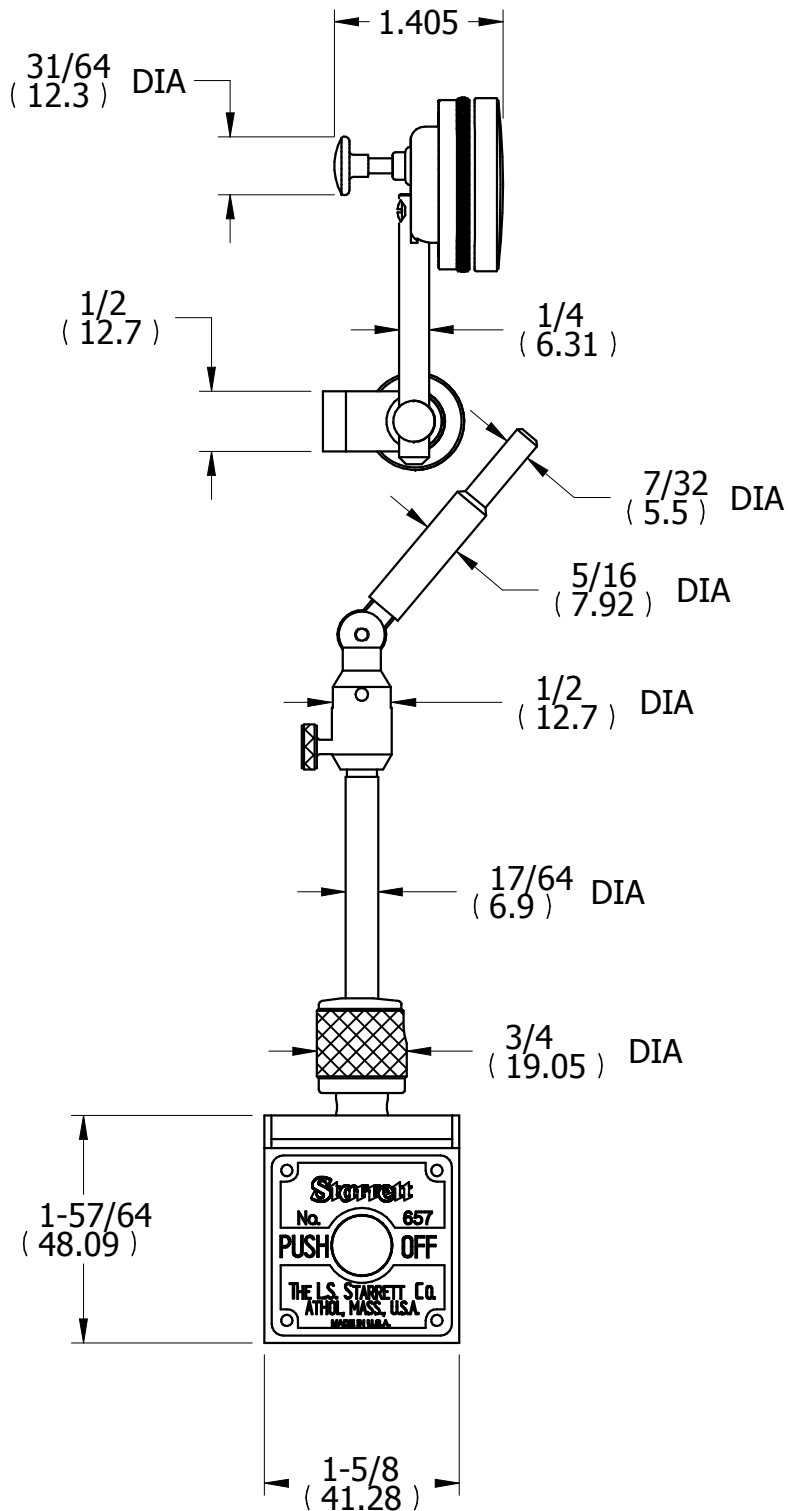
CUSTOMER DIMENSIONS

DO NOT
SEPARATE
PRINT FROM
WORK

LOT NO

OPER

TOOLS



| | | | |
|--|--|--|--|
| | | | |
| | | | |
| | | | |
| | | | |
| | | | |
| | | | |
| | | | |
| | | | |

| REV | DESCRIPTION | DATE | BY |
|-----|-------------|------|----|
|-----|-------------|------|----|

| | | | |
|----|-----|-----|------|
| DR | JEG | CHK | DATE |
|----|-----|-----|------|

MAGNETIC BASE WITH
POST ASSEMBLY,
196B1 IND., AND SNUG

THE L.S. STARRETT CO.
ATHOL, MASS.

TOLERANCES - UNLESS
OTHERWISE SPECIFIED

1 PLACE DEC. or REF. : +/- .015" --- 0.4 mm
2 PLACE DEC. : +/- .010" --- 0.25 mm

3 PLACE DEC. : +/- .003" --- 0.08 mm
4 PLACE DEC. : +/- .0005" --- 0.01 mm

FRACTIONAL: +/- 1/64"
ANGULAR: +/- 1 DEGREE