

SERVO MOTOR



Specification Description

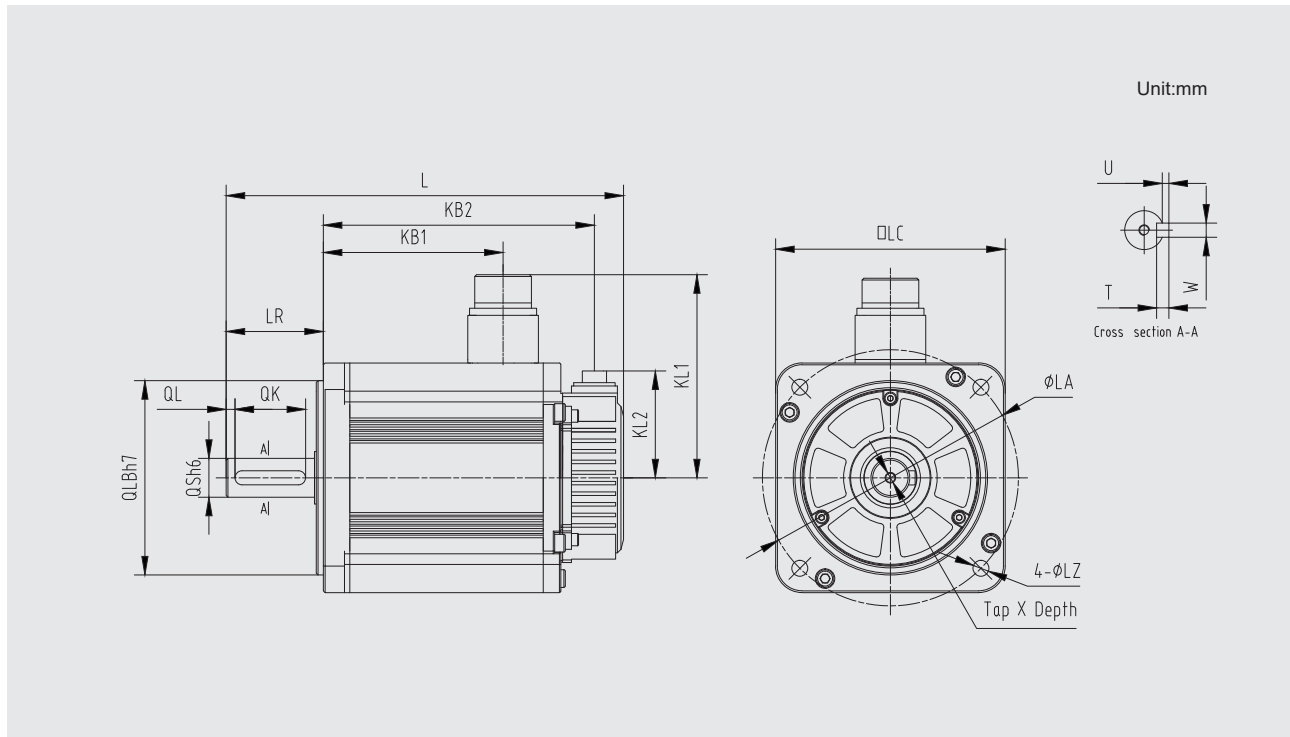
EML - 10		A	F	D	2	4	
Servo Motor Model		Rated Output Power	Voltage	Encoder	Design Sequence	Shaft End	Option Parts
Sign	Spec.	Sign	Spec.	Sign	Spec.	Sign	Spec.
L: EML Model		10: 1.0kW	A: 200VAC	F: 20-bit Incremental Encoder	A,B, Design	2:with key	1:None
Servo Motor		20: 2.0kW	D: 400VAC	L: 23-bit Absolute Encoder	D: Sequence		2:With Oil Seal
		30: 3.0kW					3:With Brake (DC24V)
		40: 4.0kW					4:With Oil Seal, With Brake (DC24V)

EML Servo Motor Rated Value and Specification

Voltage		200VAC / 400VAC							
Servo Motor model	EML-	10AFD□□ 10ALB□□	10DFB□□ 10DLB□□	20AFD□□ 20ALA□□	20DFA□□ 20DLA□□	30AFD□□ 30ALA□□	30DFA□□ 30DLA□□	40AFD□□ 40ALA□□	40DFA□□ 40DLA□□
Rated Output Power	kW	1.0		2.0		3.0		4.0	
Rated Torque	N·m	9.55		19.1		28.7		38.2	
Instantaneous Peak Torque	N·m	28.7		57.3		79.2	86.0	111.2	114.6
Rated Current	Arms	5.5	2.8	12.0	6.2	18.0	9.0	24.0	12.2
Instantaneous Max current	Arms	16.5	8.4	36.0	18.6	54.0	27.0	72.0	36.6
Rated Speed	r/min	1000							
Max. Speed	r/min	1500							
Rotor Moment of Inertia	$\times 10^{-4} \text{kg} \cdot \text{m}^2$	23.5 (24.6)		53.5 (56.7)		77.8 (81.0)		102.2 (105.4)	
Weight	kg	10.8 (12.3)		18.1 (21.7)		19.5 (23.1)		34.75 (38.35)	
Brake Rated Voltage		DC24V \pm 10%							
Brake Rated Power	W	19.5				35			
Brake Rated Torque	N·m	12				40			
Encoder		20-bit Incremental Encoder; 23-bit Absolute Encoder							
Insulation Class		F							
Ambient Temperature		0 ~ +40°C(No freezing)							
Ambient Humidity		20%~80% RH(Non-condensing)							
Vibration		24.5m/s ²							
Enclosure		Totally Enclosed, Self-cooled, IP65 (Except for shaft opening,when not equipped with oil seal)							

Note:The values in parentheses are for servo motors with holding brakes.

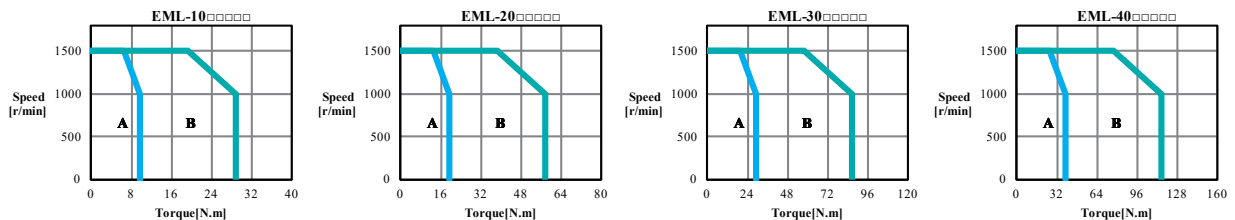
EML Dimension



EML-	L	LL	KB1	KB2	KL1	KL2	Flange Side							S	Tap× Depth	Key				
							LR	LE	LF	LC	LA	LB	LZ			QK	QL	W	T	U
10□□B/D	247 (289.5)	192 (234.5)	124 (147.2)	175.5 (218)	117	60.5	55	4	12	130	145	110	9	22	M6×20	40	5	8	7	4
20□□A/D	332 (401)	253 (322)	168	228 (245)																
30□□A/D	372 (443)	293 (364)	208	268 (287)	140	79	79	3.2	18	180	200	114.3	13.5	35	M8×16	55	6	10	8	5
40□□A/D	412 (478)	333 (399)	243	308 (322)																

Note: The values in parentheses are for servo motors with holding brakes.

EML Torque-Speed Feature



A: Continuous Working Area B: Repeatedly Working Area