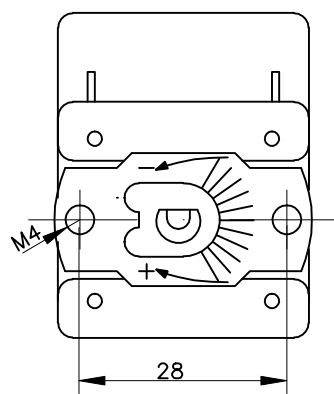


APPROVALS 03
 CONNECTION TABS 1/4"
 MIN CAPILLARY BENDING RADIUS 5 MM
 STAINLESS STEEL CAPILLARY AND BULB
 TEMPERATURE RANGE : 50°C-280°C ±9°C
 DIFFERENTIAL : 7°C ±4°C
 INSULATION

RAE CODE : 99275



THERMOSTAT TU V ST 50-280°C		RAE
c.a.e.m. s.p.a. Via Rivera 106-108 10040 ALMESE (TO) ITALY	SCALA :	LP4559
	DATA : 23-03-2010	
	DIS. TACCA GIANLUCA	DIS. N'
	VISTO	MATERIALE
SOSTITUISCE IL:	FINITURA	

